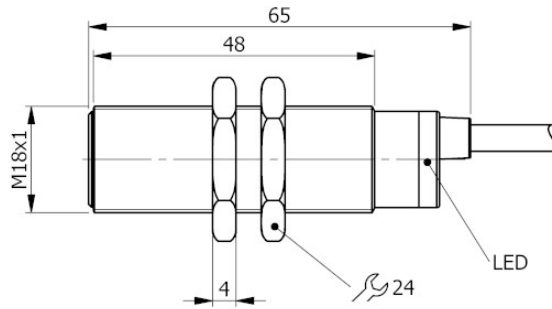


Part number: **I18000211** Model: **SI18-C5 PNP NO LC10**



Dimension in mm

1. TECHNICAL CHARACTERISTICS



Electrical data

| | | |
|------------------------------|------|-----------------|
| Power supply type: | | Direct current |
| Working voltage: | [V] | 10 ÷ 30 |
| Current consumption: | [mA] | < 15 mA @ 24Vdc |
| Protection class: | | III |
| Reverse polarity protection: | | Presente |

Outputs

| | | |
|---------------------------|------|---------|
| Electrical design: | | PNP |
| Function: | | NO |
| Max voltage drop: | [V] | < 1.8 |
| Max output current: | [mA] | 200 |
| Max switching frequency: | [Hz] | 1000 |
| Short circuit protection: | | Present |
| Overload protection: | | Present |

Detection zone

| | | |
|---------------------------|------|----------|
| Switching distance-Sn: | [mm] | 5 |
| Real sensing distance-Sr: | [mm] | 5 ±10% |
| Operative distance-So: | [mm] | 0 ÷ 4.05 |

Accuracy and Deviations

| | | |
|------------------------|-------|--|
| Correction factor: | | Stainless steel: 0.9 - Brass: 0.5 - Aluminium: 0.4 - Copper: 0.4 |
| Hysteresis: | [%Sr] | < 10 |
| Switching point drift: | [%Sr] | -1 |
| Repeatability: | [%Sn] | < 3 |

Environmental conditions

| | | |
|---------------------|------|----------------|
| Temperature limits: | [°C] | -25°C ÷ +85°C |
| IP rating: | | IP65-IP66-IP67 |

Display and control elements

Display: Output switching status - 1 x LED: Yellow

Mechanical data

| | |
|---------------------|---|
| Housing: | Threded type |
| Thread designation: | M18x1 |
| Dimensions: [mm] | M18x1 - L=65 |
| Materials: | Housing: Nickel-plated brass - Sensing area: POM red - Lock nuts: Nickel-plated brass |
| Mounting: | Embeddable |
| Weigth: [g] | 370 |

Electrical connection

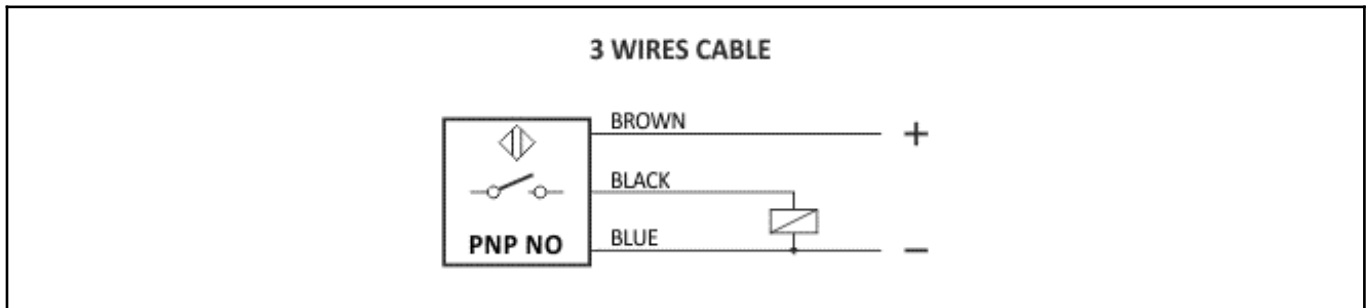
Cable: 10 m - PVC/PVC - 3 x 0.35 mm²

Compliance to Standards / Directives

| | |
|------------------------|---|
| Directives compliance: | 2014/30/EU -Electromagnetic compatibility directive (EMC) |
| Standards compliance: | EN60947-5-2 - Product standard |

2. NORME DI INSTALLAZIONE

WIRING DIAGRAM



INSTRUCTIONS FOR CORRECT INSTALLATION

