

The copyright to this drawing belongs to us. No duplication or transfer to, providing access to or communicating to any third parties is allowed of its contents or excerpts thereof. This drawing may not be used without our approval for any purpose other than that for which it has been entrusted to the recipient. Any non-compliance shall obligate the violator to compensate for damages. In case any patent is issued or a utility model is registered, or in case of any other industrial property rights, all such rights must be reserved for us.

BEDIA Motorentechnik GmbH & Co.KG,
Altdorf bei Nürnberg

Das Urheberrecht an dieser Zeichnung gehört uns. Vervielfältigung, Überlassung, Zugänglichkeit oder Mitteilung des Inhalts, auch auszugsweise, an Dritte ist nicht gestattet. Die Zeichnung darf ohne unsere Zustimmung, zu einem anderen Zweck als sie dem Empfänger anvertraut wird, nicht benutzt werden. Zuwiderhandlung verpflichtet zu Schadensersatz. Alle Rechte, für den Fall einer Patenterteilung, Gebrauchsmustereintrag oder anderer Schutzrechte, sind uns vorbehalten.

Technical data (a)

Medium	water, coolant
Function	minimum - operating current (oc)
Operating voltage	12 / 24 V (-25% / +50%) (9 - 36 VDC)
Current consumption	< 8 mA
Output	low side switch ≤ 1 A over the whole temperature range short-circuit and overload protected over the ambient temperature range. At inductive loads freewheeling diode e.g. 1N4007, has to be mounted at the load.
Mounting thread	M14x1,5
Function control	0 seconds ±5%
Fault indication delay	7 seconds ±5%
Connection	connector bayonet 16S
Housing material	CuZn38Pb2 EN12164; CW608N capacitive connected to ground
Probe coating	Tefzel® ETFE
Probe protection	(a) IP6K7 according to ISO 20653 with mounted mating connector
Weight	approx. 95 g
Marking	manufacturer; type; manufacturer-no.; SN; year / week; approval
Switch point hysteresis	< 3 mm
Medium temperature	-40°C to +125°C (-40°F to +257°F)
Ambient temperature	-40°C to +125°C (-40°F to +257°F)
Storage temperature	-50°C to +125°C (-58°F to +257°F)
Mounting position	any
Reverse polarity protection	inbuilt between positive and negative terminal

Caution!!

Do not connect negative potential to signal terminal of the sensor and positive potential to negative terminal of the sensor.

Approval (a) **E1** 10R-03 5459

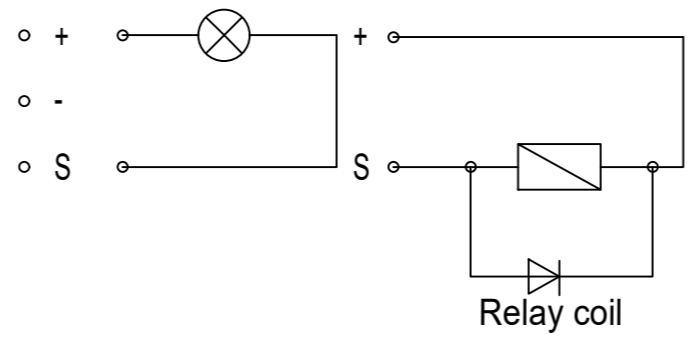
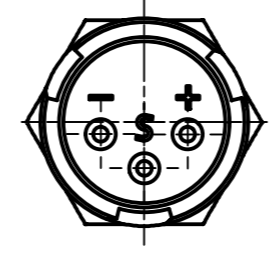
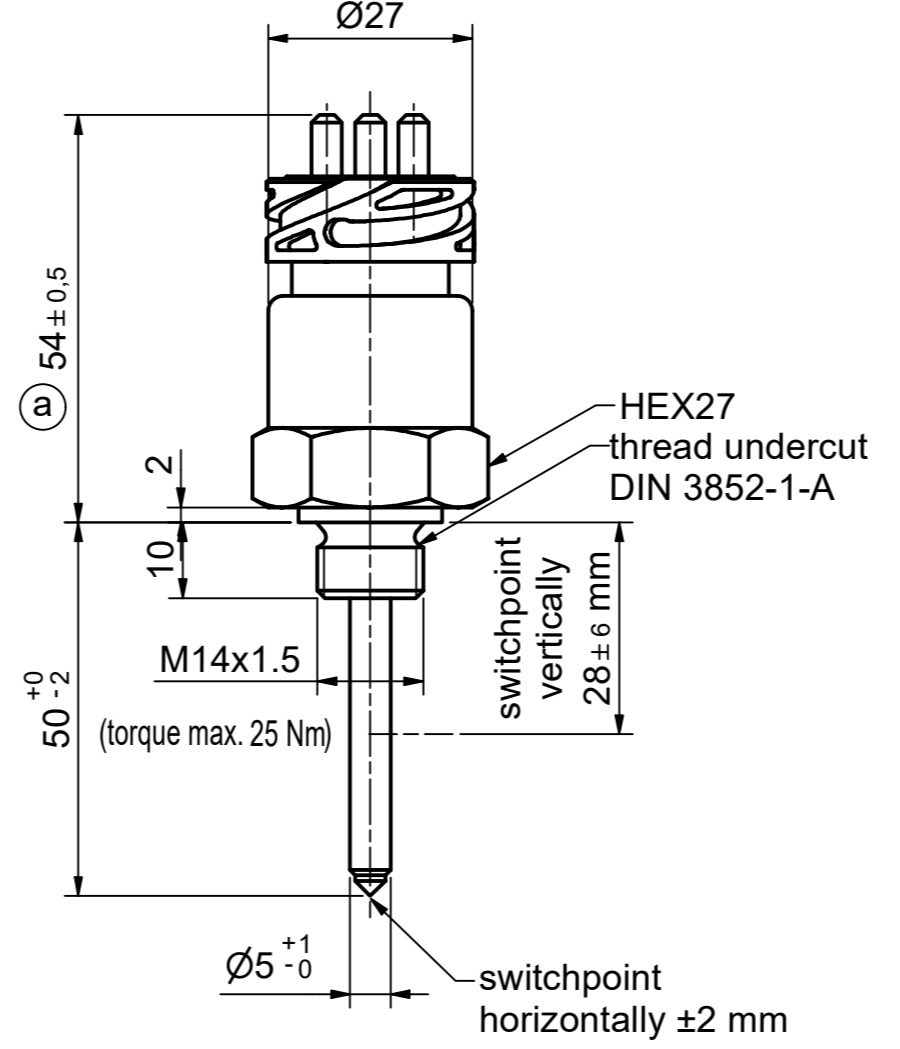
Customs tariff number 90261029

Environmental simulations

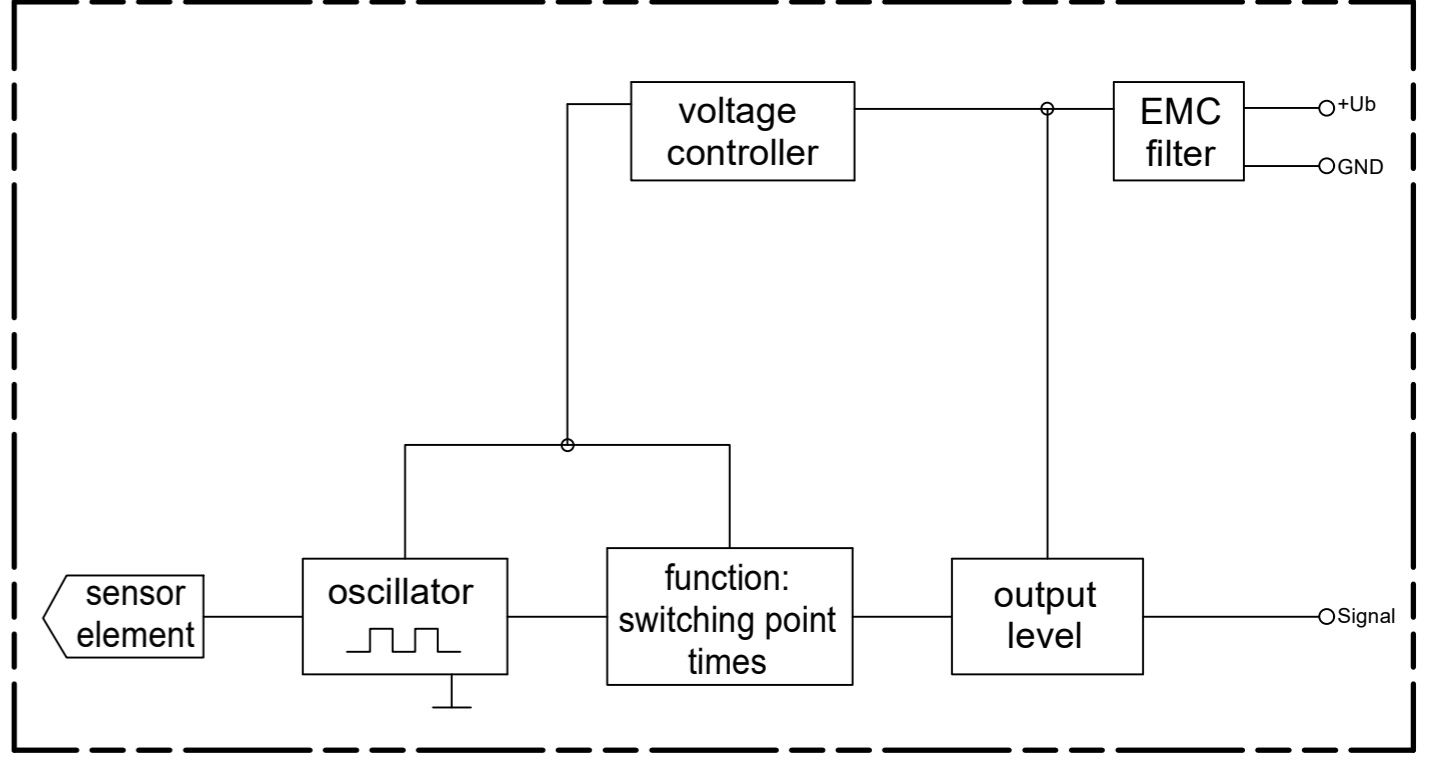
Vibration	ISO 16750-3	10 Hz - 2000 Hz 20 g
Free Fall	IEC 16750	
Mechanical Shock	DIN EN 60068-2-27;	100 g / 11 ms
Dry Cold	DIN EN 60068-2-1;	-40°C / 24 h (-40°F / 24 h)
Dry Heat	DIN EN 60068-2-2;	+125°C / 96 h (+257°F / 96 h)
Temperature cycling	DIN EN 60068-2-14	
Damp Heat	DIN EN 60068-2-78	
Damp Heat, cyclic	DIN EN 60068-2-30	
Salt spray	DIN EN 60068-2-52	
Pressure resistance	2,5 MPa (25 bar / 362,6 psi)	(25°C / 77°F / 1 h)

EMC

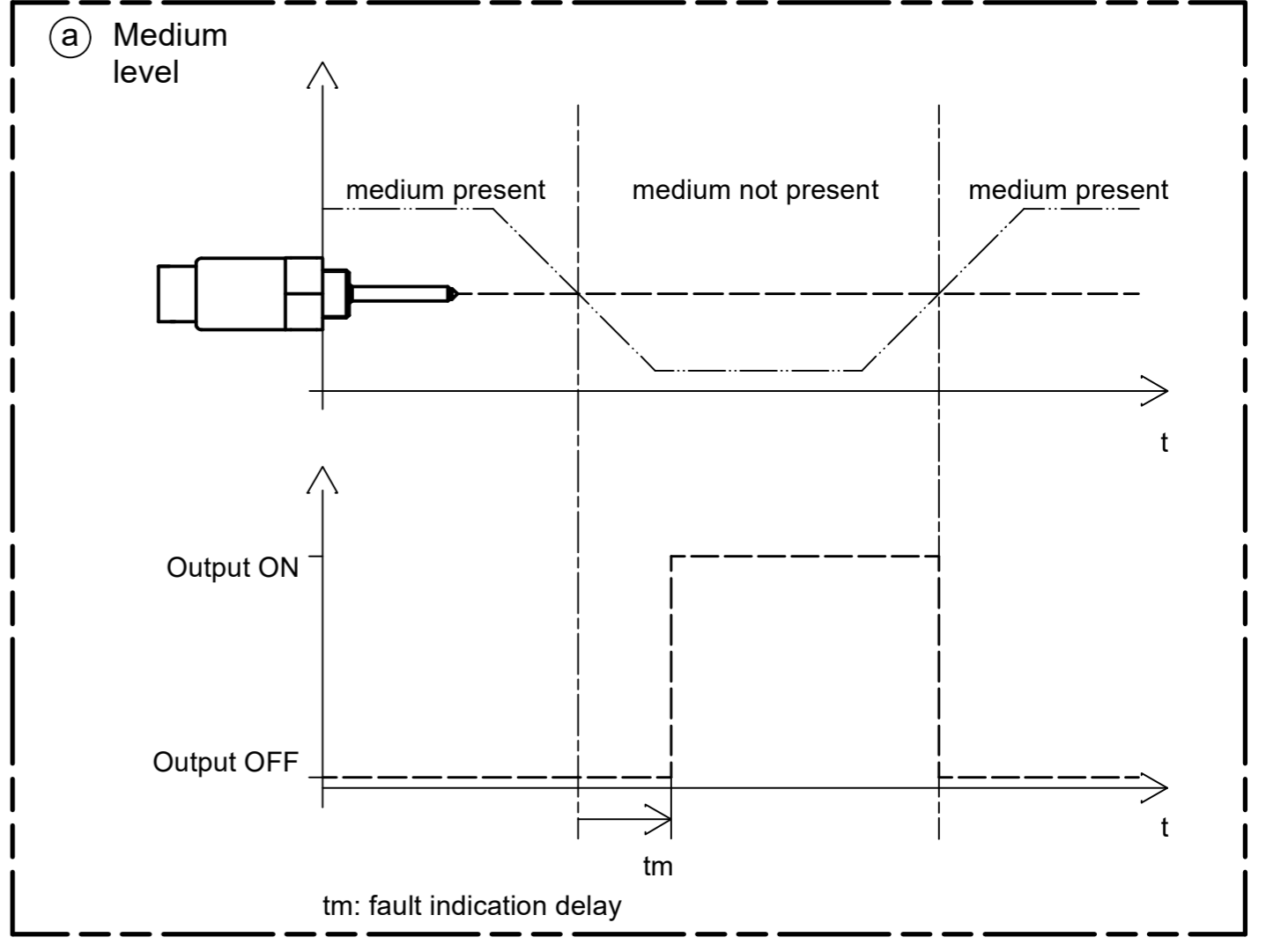
Radiated emission	2004/104/EG	30 MHz - 1 GHz; 1 m
Conducted transient emission	ISO 7637-2	
Immunity to RF electromagnetic fields	ISO 11452-1/-2	1000 MHz - 2000 MHz; 150 V / m (rms)
Immunity to RF electromagnetic fields in the stripline	ISO 11452-1/-5	20 MHz - 1000 MHz; 150 V / m (rms)
Transient immunity test on power lines	ISO 7637-2	pulses 1, 2a, 2b, 3a, 3b, 4



Block diagram



Functional diagram for MINIMUM Probes



Zul. Abweichung / admissible tolerance	Oberfläche / surface	Maßstab / scale	1 : 1	Sprache / language	ENU	Blatt sheet	1 / 1	
ISO 2768-mK	-	-	-	-	-	-	-	
Erstellt / created by	Datum / date	Name / name	Benennung / description					
Gepüft / checked by	17.02.2010	MoeMi	CLS-40 water level sensor low side switch - operating current with connector bayonet 16S					
Format / Size	17.02.2010	SasCh						
A2								
Zust./ rev.		Änderung/modification	Datum/date	Name/Gepüft/ checked by	Zeichnungsnummer / drawing number			Zng. Art/ drw type
					321564			DRC

