

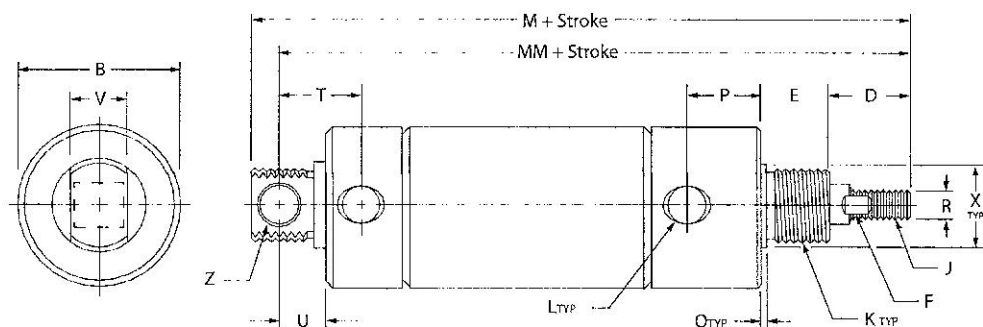
FABCO-AIR air cylinders

DP-type double acting / pivot mount or double-end mount

- Stainless steel rod, standard.
- Simple, reliable design.
- Requires air pressure to extend and retract rod.
- Extend force exceeds retract force (smaller effective area on rod side of piston).
- Exclusive Fabco reversible piston.
- Specify option M (internal magnet) to operate sensors.
- Wearstrip standard: 5 inches or more of stroke (optional on shorter strokes. N/A on model 8).
- Options: B, F, J, K, L, M, N, P, R, T, W and U.
- Versatile mounting, pivot, nose, double-end.
- Available accessories, pivot bracket, mounting nut, foot mount and rod clevis, see pages 18 & 19.



For product configuration utility, 3D CAD viewer, and 3D CAD Model downloads, Visit www.fabco-air.com.



Media.....Compressed Air
 Pressure Range.....0-200 PSIG
 Temperature Range.....-40°F to 160°F Ambient*
 w/Fluoroelastomer.....-20°F to 400°F Ambient*
 Recommended maximum stroke.....12"
 *additional heat may be generated by seal friction (high speed cycling).

model code	piston area* - in ²	
	plain side	rod side
8	.20	.17
7	.44	.39
6	.89	.81
25	1.23	1.08
5	1.77	1.62
75	2.41	2.21
4	3.14	2.84
3	4.91	4.60

*Area x PSIG = Approximate Force

model & type (stroke)	bore	B dia.	D rod exten.	E nose length	F wrench flat	J rod thread x length	K nose & pivot thread	L port (NPSF)	M length	MM length	P	Q pilot	R rod dia.	T	U	V	X Pil. Dia. -.001 -.006	Z Pivot Hole Dia.
8-DP_-	1/2	.62	.50	.41	none	10-32 x .50	7/16-20	10-32 UNF	3.31*	3.06*	.37	.04	.187	.42	.25	.31	.437	.16
7-DP_-	3/4	.88	.50	.50	none	1/4-28 x .50	5/8-18	1/8	4.54	4.25	.48	.07	.250	.66	.34	.38	.625	.25
6-DP_-	1 1/16	1.12	.62	.50	.25	5/16-24 x .50	5/8-18	1/8	4.62	4.34	.52	.07	.312	.62	.34	.38	.625	.25
25-DP_-	1 1/4	1.31	1.00	.62	.38	7/16-20 x .75	3/4-16	1/8	5.83	5.47	.63	.07	.437	.91	.41	.50	.750	.25
5-DP_-	1 1/2	1.55	1.00	.62	.38	7/16-20 x .75	3/4-16	1/8	5.50	5.12	.62	.07	.437	.81	.50	.62	.750	.38
75-DP_-	1 3/4	1.81	1.19	.75	.44	1/2-20 x .88	1-14	1/4	7.13	6.63	.72	.09	.500	.98	.50	.62	1.030	.38
4-DP_-	2	2.07	1.25	.81	.50	1/2-20 x .88	1 1/4-12	1/4	6.93	6.50	.69	.12	.625	1.0	.57	.75	1.375	.38
3-DP_-	2 1/2	2.62	1.25	.81	.50	1/2-20 x .88	1 3/8-12	1/4	6.93	6.50	.69	.12	.625	1.0	.57	.75	1.500	.38

* model 8 only - add 0.399 for Option M.