



# ENAPART



93 S Railroad Avenue Unit C  
Bergenfield NJ 07621 USA  
[www.enapart.com](http://www.enapart.com)  
[sales@enapart.com](mailto:sales@enapart.com)



Via del Canneto 35,  
Borgosatollo, Brescia - Italia  
[www.enapart.it](http://www.enapart.it)  
[vendite@enapart.it](mailto:vendite@enapart.it)



Barbaros Mah. Ihlamur Bul. Aĝaoĝlu  
My Newwork No:3/15 Ataşehir / İstanbul  
[www.enapart.net](http://www.enapart.net)  
[satis@enapart.net](mailto:satis@enapart.net)



PRIVADA 10 B SUR #3908 COL.  
ANZUREZ, C.P. 72530, PUEBLA, PUE  
[www.enapart.com.mx](http://www.enapart.com.mx)  
[sales@enapart.com.mx](mailto:sales@enapart.com.mx)



Friedrich-Ebert-Anlage 36, 60325  
Frankfurt am Main, Germany  
[www.enapart.de](http://www.enapart.de)  
[anfrage@enapart.de](mailto:anfrage@enapart.de)



4 boulevard Carnot, 95400  
villiers-le-bel, Paris, France  
[www.enapart.fr](http://www.enapart.fr)  
[sales@enapart.fr](mailto:sales@enapart.fr)



65049, ОДЕСА, ВУЛИЦЯ ІВАНА  
ФРАНКА, БУДИНОК 55, ПОВЕРХ 3  
[www.enapart.com.ua](http://www.enapart.com.ua)  
[sales@enapart.com.ua](mailto:sales@enapart.com.ua)



MUNICIPIUL BUCUREȘTI, SECTOR 3,  
B-DUL BASARABIA, NR.250, CORP P+5  
[www.enapart.ro](http://www.enapart.ro)  
[sales@enapart.ro](mailto:sales@enapart.ro)



〒584-0023 大阪府富田林市若松町  
東2丁目2番16号  
[www.enapart.co.jp](http://www.enapart.co.jp)  
[sales@enapart.co.jp](mailto:sales@enapart.co.jp)



PLAZA NUESTRA SEÑORA DE LAS  
NIEVES 12 ,LOCAL ,50012,ZARAGOZA  
[www.enapart.es](http://www.enapart.es)  
[ventas@enapart.es](mailto:ventas@enapart.es)



Складова база „Онгъл“, Склад А2, п.к.  
4006, гр. Пловдив, България  
[www.enapart.bg](http://www.enapart.bg)  
[sales@enapart.bg](mailto:sales@enapart.bg)



3 Austin Mews, High Street, Hemel  
Hempstead, HP1 3AF , United Kingdom  
[www.enapart.co.uk](http://www.enapart.co.uk)  
[sales@enapart.co.uk](mailto:sales@enapart.co.uk)



## Filter housing (Materials)

- Head: Aluminium
- Cover: Nylon (only for: MPF 020-030-100-104-110)  
Aluminium (all the other)
- Bowl: Nylon

## Pressure

- Working pressure: 8 bar

## Temperature

- From -25 °C to +110 °C

## Bypass valve

- Opening pressure 1.75 bar  $\pm$ 10%
- Opening pressure 3 bar  $\pm$ 10%

## $\Delta p$ Elements type

- Series N and H elements: 10 bar
- Oil flow from outside to inside.

## Seals

- Standard NBR series A
- Optional FPM series V

## MPF FILTERS ARE PROVIDED FOR VERTICAL MOUNTING

### Weights (kg)

Length	1	2	3	4
• MPF 020	0,30	-	-	-
• MPF 030	0,40	-	-	-
• MPF 100	0,61	0,64	0,67	0,74
• MPF 104	0,82	0,96	1,02	1,25
• MPF 110	0,64	0,68	0,71	0,78
• MPF 181	2,20	3,00	-	-
• MPF 182	2,30	3,10	-	-
• MPF 184	2,55	3,45	-	-
• MPF 191	-	3,00	-	-
• MPF 192	-	3,10	-	-
• MPF 194	-	3,45	-	-
• MPF 400	3,35	3,65	3,90	-
• MPF 450-451	3,95	4,25	4,50	-
• MPF 750	6,30	-	-	-

### Volumes (dm<sup>3</sup>)

Length	1	2	3	4
• MPF 020	0,26	-	-	-
• MPF 030	0,29	-	-	-
• MPF 100	0,64	0,85	1,20	1,65
• MPF 104	0,64	0,85	1,20	1,65
• MPF 181	2,50	4,00	-	-
• MPF 182	2,50	4,00	-	-
• MPF 184	2,65	4,45	-	-
• MPF 191	-	4,25	-	-
• MPF 192	-	4,25	-	-
• MPF 194	-	4,45	-	-
• MPF 400	3,70	4,60	5,40	-
• MPF 450-451	3,70	4,60	5,40	-
• MPF 750	8,45	-	-	-

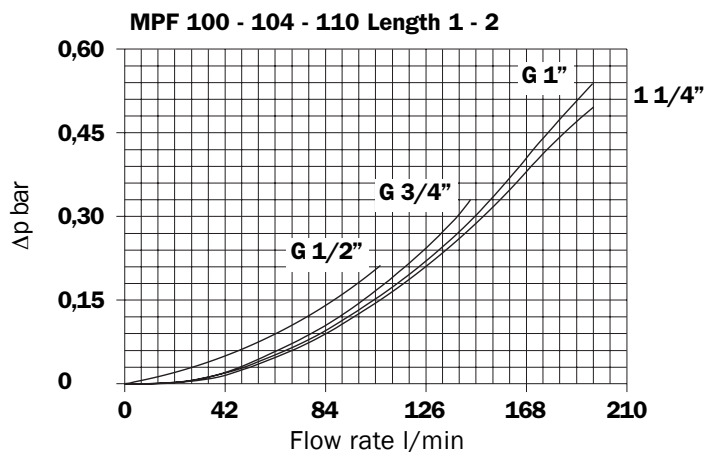
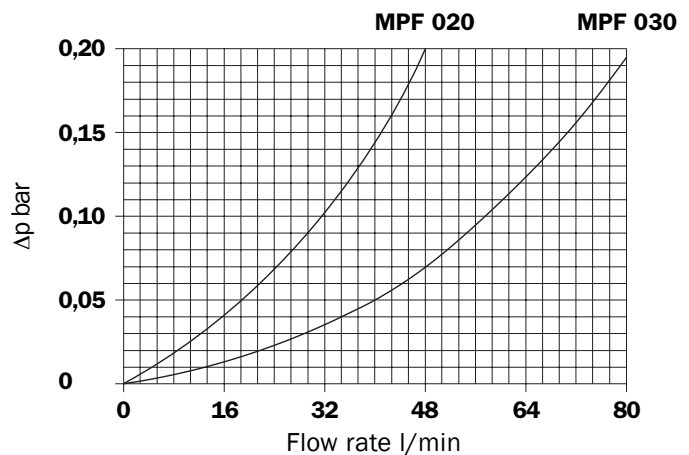
## Compatibility (to ISO 2943)

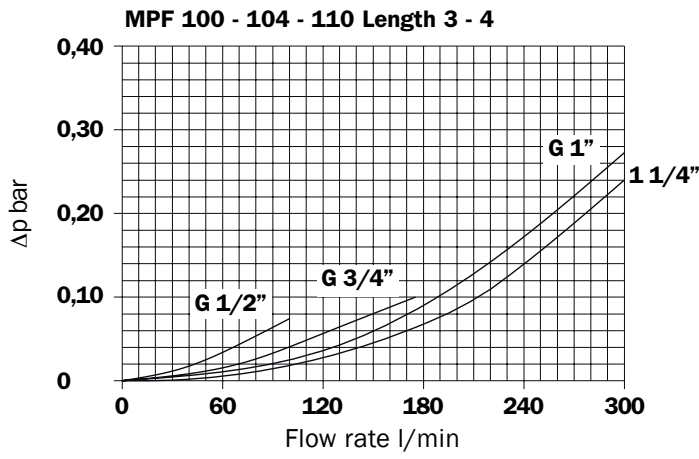
- Housings compatible with:  
Mineral oils, synthetic fluids.  
Aqueous emulsions, water and glycol (series W required).
- The filter elements are compatible with:  
Mineral oils, synthetic fluids.  
Aqueous emulsions, water and glycol (series W required).
- NBR seals series A, compatible with:  
Mineral oils, synthetic fluids.  
Aqueous emulsions, water and glycol.
- FPM seals V series, compatible with:  
Synthetic fluids type HS-HFDR-HFDS-HFDU

## Filter housings $\Delta p$ pressure drop

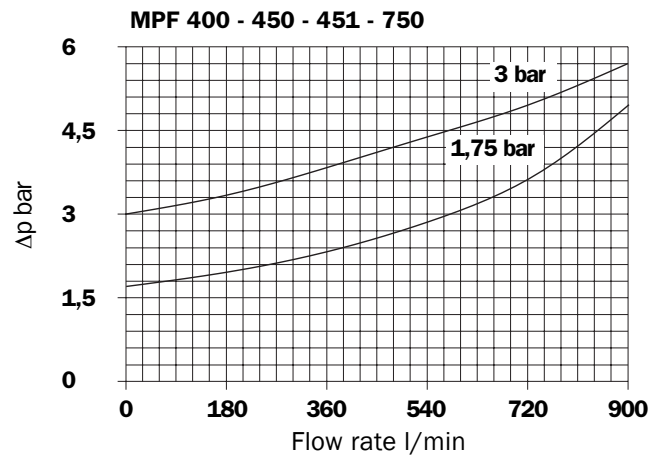
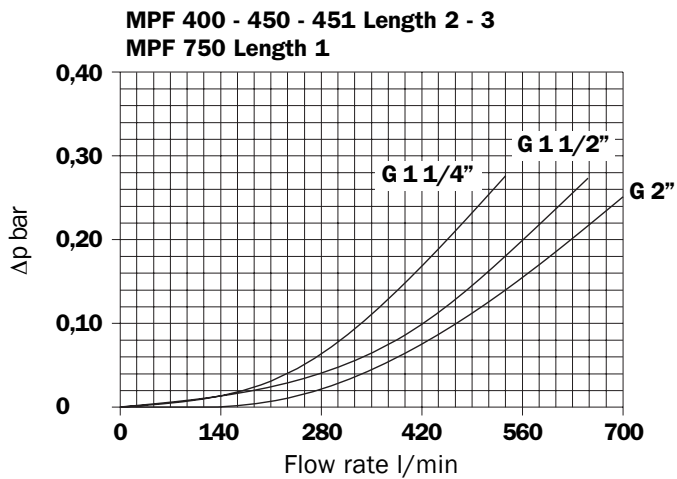
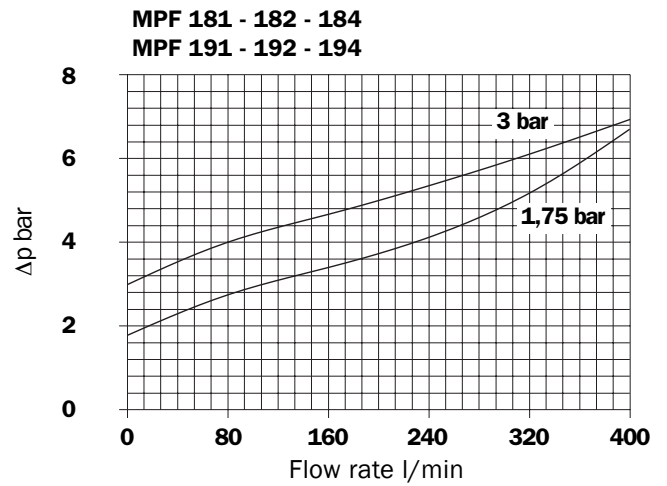
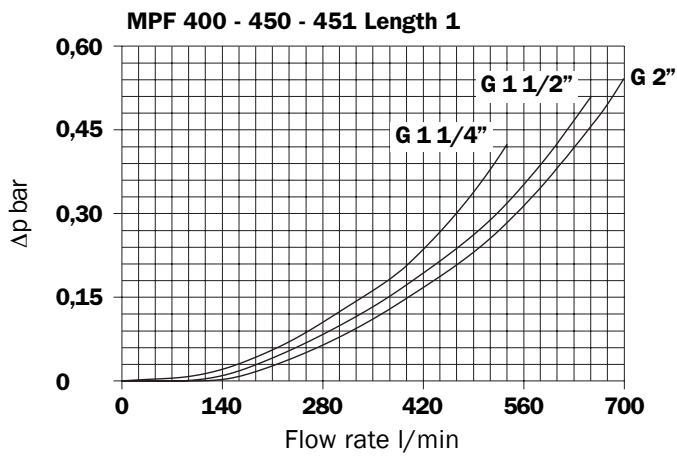
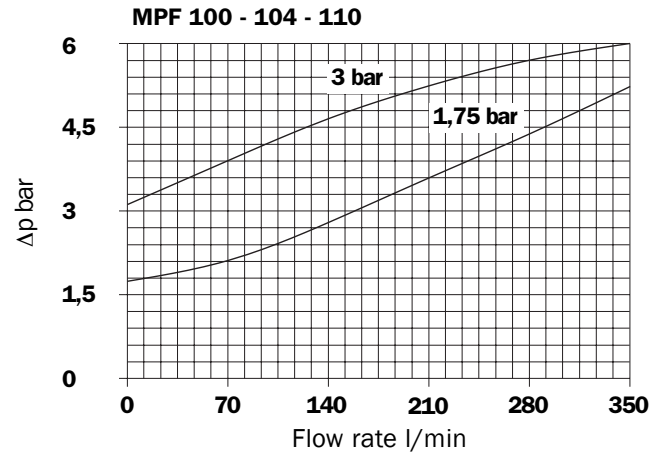
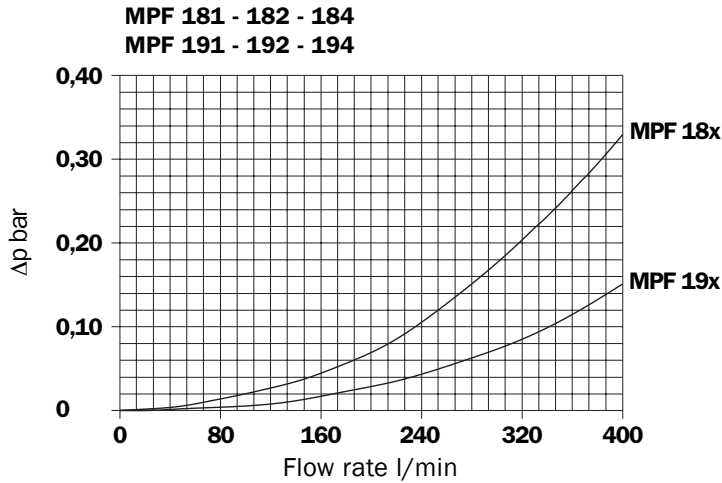
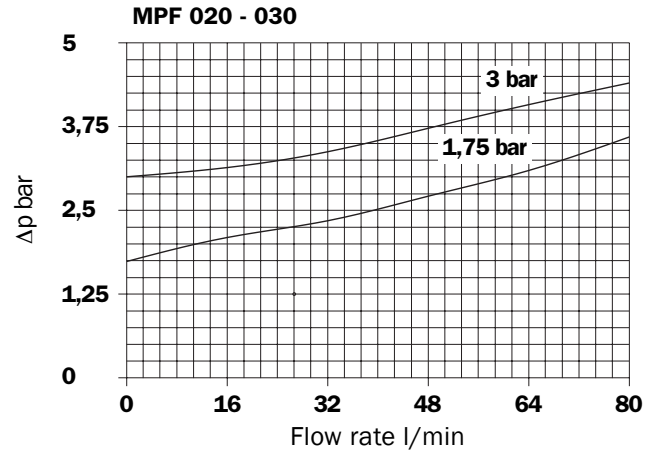
The curves are plotted utilising mineral oil with density of 0.86 kg/dm<sup>3</sup> to ISO 3968.

$\Delta p$  varies proportionally with density.





**Valves**  
**Bypass valve pressure drop**



**Recommended maximum flow rate**

- Pressure drop of filter assembly equal to  $\Delta p$  0,5 bar.
- Oil kinematic viscosity 30 mm<sup>2</sup>/s (cSt).
- Density 0,86 kg/dm<sup>3</sup>.

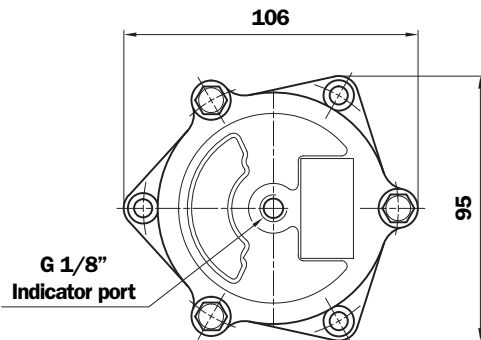
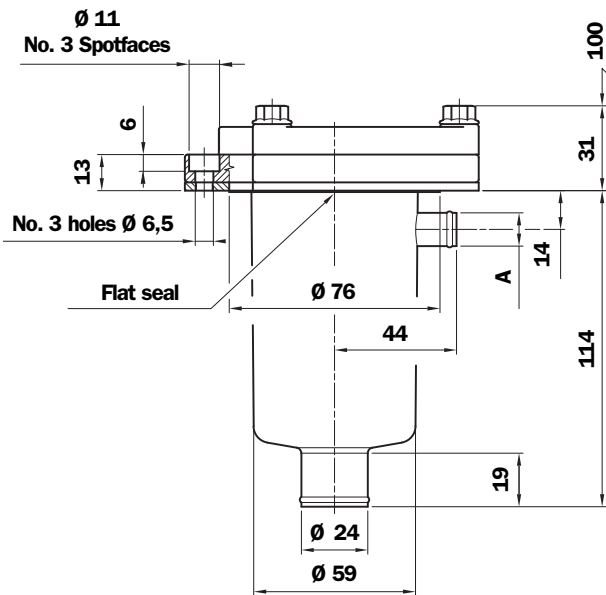
**Filtration**

	Length	A03	A06	A10	A16	A25	P10	P25	M25 - M60 - M90
<b>MPF 020</b>	1	6	9	15	16	25	26	27	30
<b>MPF 030</b>	1	7	10	24	28	48	60	65	70
<b>MPF 100 - 104</b>	1	17	20	53	56	64	86	94	290
<b>110</b>	2	28	38	64	75	95	110	120	290
	3	47	53	125	135	168	220	250	290
	4	78	88	180	185	195	260	280	290
<b>MPF 181 - 182</b>	1	125	145	230	240	275	280	295	400
<b>184</b>	2	230	260	350	370	380	390	400	400
<b>MPF 191 - 192</b>	2	255	295	465	495	500	500	500	500
<b>194</b>									
<b>MPF 400</b>	1	150	170	290	300	350	370	385	580
	2	230	250	450	460	580	610	640	750
	3	245	290	540	600	620	675	700	750
<b>MPF 450 - 451</b>	1	150	170	290	300	350	370	385	580
	2	230	250	450	460	580	610	640	750
	3	245	290	540	600	620	675	700	750
<b>MPF 750</b>	1	390	460	620	700	750	750	750	750

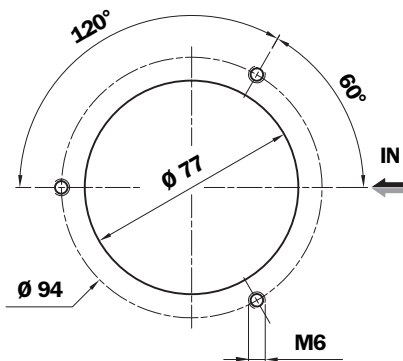
**Flow rate l/min**

# Dimensions

## MPF 020



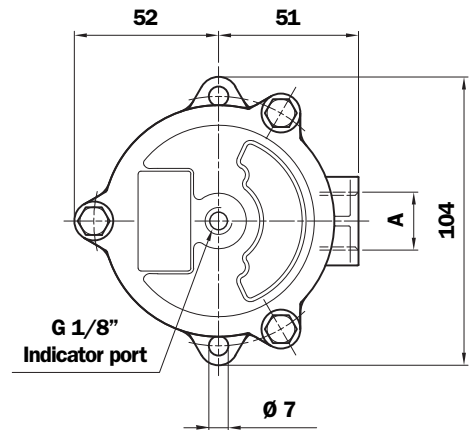
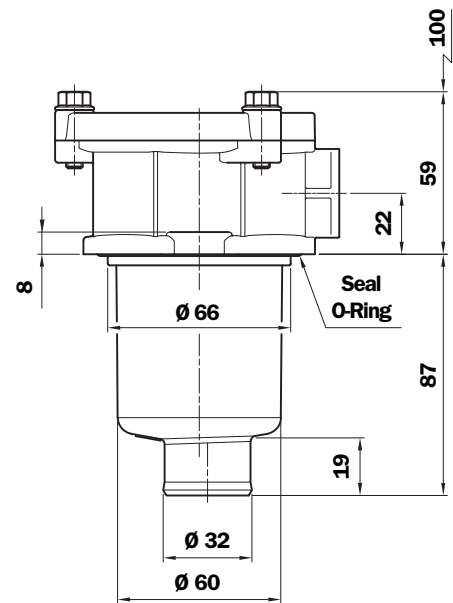
Holes on the tank



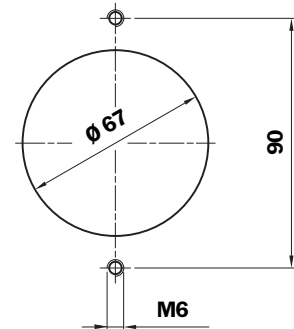
### MPF 020 Connection

Type	A
P1	Hose barb - $\varnothing 12$

## MPF 030



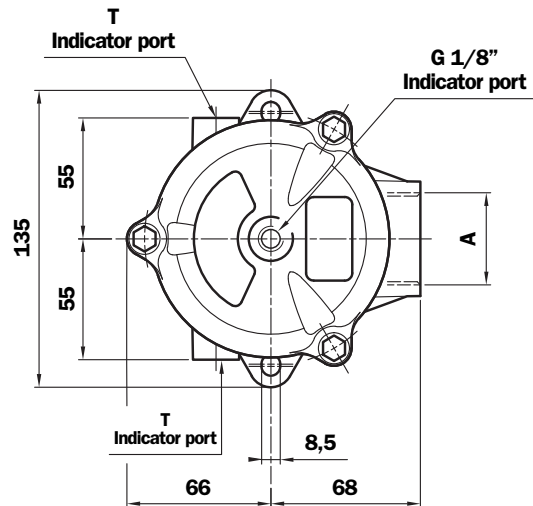
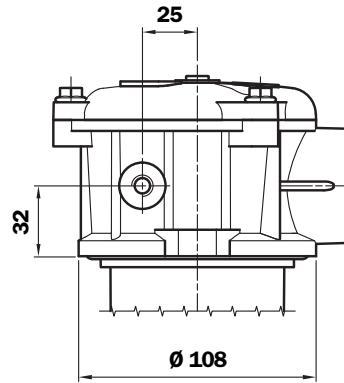
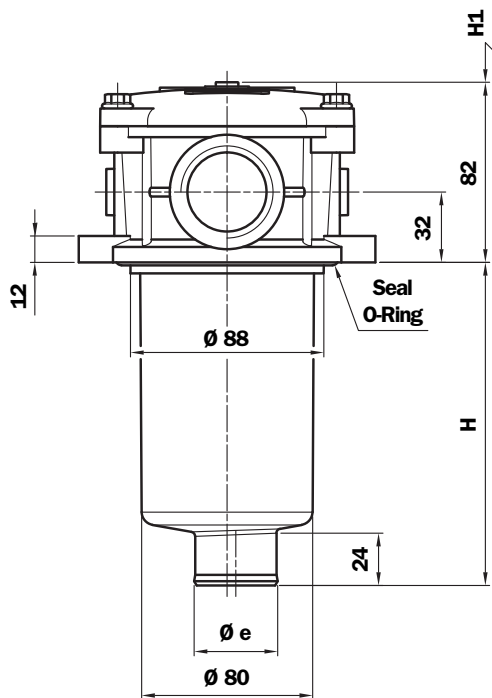
Holes on the tank



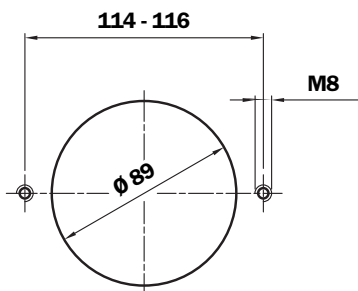
### MPF 030 Thread connections

Type	A
G1	G 1/2"
G4	1/2" NPT
G7	SAE 8 - 3/4" - 16 UNF

# MPF 100



## Holes on the tank



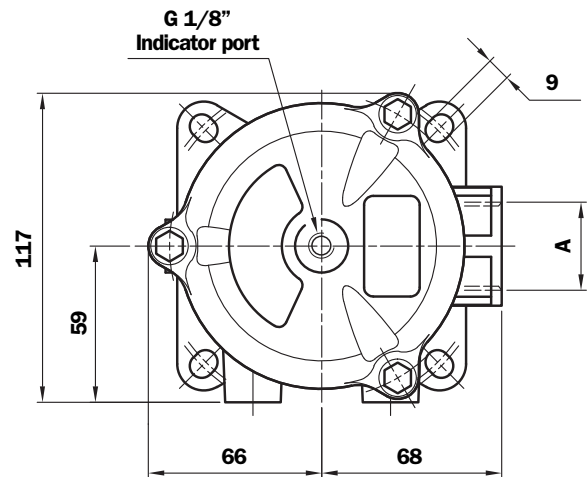
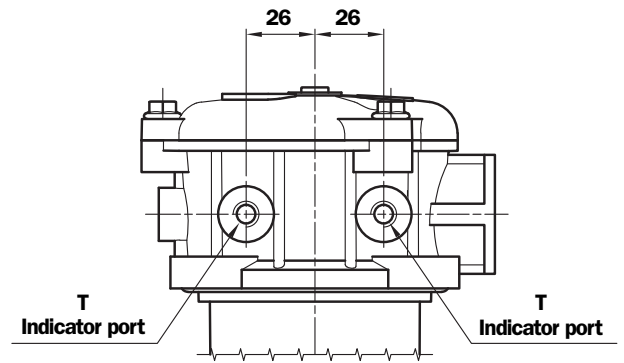
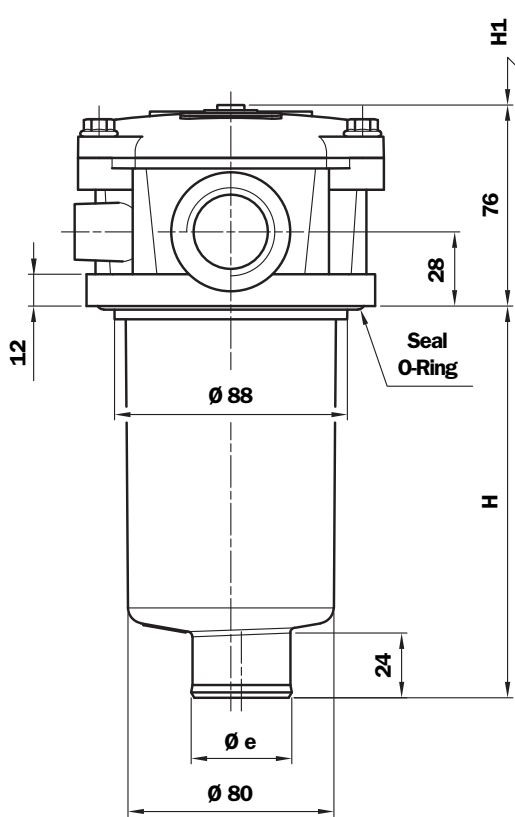
Filter Length	H mm	H1 mm	Ø e mm
1	99	120	38
2	146	170	38
3	224	250	46,5
4	326	350	46,5

T indicator port  
G 1/4" - 1/4" NPT  
ON REQUEST

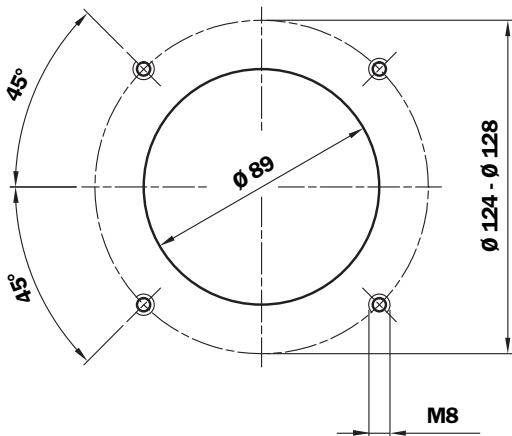
## Thread connections

Type 1	T	Type 2	T	A
G1	Indicator port not machined	C1	G 1/8"	G 1/2"
G2		C2	G 1/8"	G 3/4"
G3		C3	G 1/8"	G 1"
G10		C10	G 1/8"	G 1 1/4"
G4		C4	1/8" NPT	1/2" NPT
G5		C5	1/8" NPT	3/4" NPT
G6		C6	1/8" NPT	1" NPT
G11		C11	1/8" NPT	1 1/4" NPT
G7		C7	1/8" NPT	SAE 8 - 3/4" - 16 UNF
G8		C8	1/8" NPT	SAE 12 - 1 1/16" - 12 UN
G9		C9	1/8" NPT	SAE 16 - 1 5/16" - 12 UN
G12		C12	1/8" NPT	SAE 20 - 1 5/8" - 12 UN

# MPF 104



## Holes on the tank



Filter Length	H mm	H1 mm	Ø e mm
1	103	120	38
2	150	170	38
3	228	250	46,5
4	330	350	46,5

## Thread connections

Type 1	T	Type 2	T	A
G1	Indicator port not machined	C1	G 1/8"	G 1/2"
G2		C2	G 1/8"	G 3/4"
G3		C3	G 1/8"	G 1"
G4		C4	1/8" NPT	1/2" NPT
G5		C5	1/8" NPT	3/4" NPT
G6		C6	1/8" NPT	1" NPT
G7		C7	1/8" NPT	SAE 8 - 3/4" - 16 UNF
G8		C8	1/8" NPT	SAE 12 - 1 1/16" - 12 UN
G9		C9	1/8" NPT	SAE 16 - 1 5/16" - 12 UN





# MPF 110



**Multiport**  
**Standard**  
**Single In Port**



**Multiport**  
**Double In Port**  
**Option: Double Indicator Port**

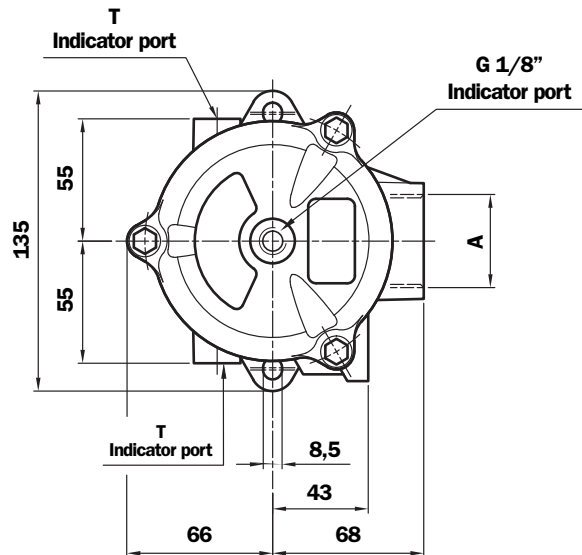
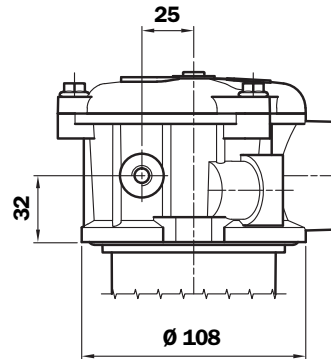
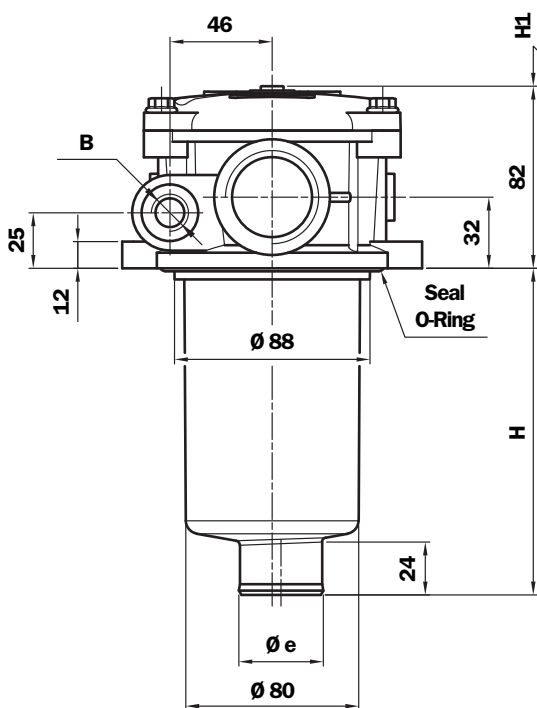


**Multiport**  
**Double In Port**  
**Drain Port**  
**Option: Indicator Port**

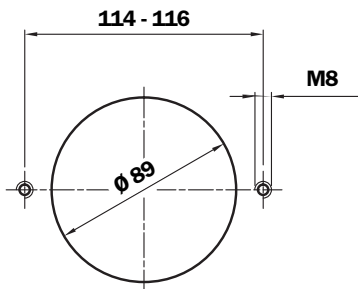


**Multiport**  
**Double In Port**  
**Double Drain Port**

# MPF 110



## Holes on the tank



## Thread connections A

Type	T	A
G1	G 1/8"	G 1/2"
G2	G 1/8"	G 3/4"
G3	G 1/8"	G 1"
G10	G 1/8"	G 1 1/4"
G4	1/8" NPT	1/2" NPT
G5	1/8" NPT	3/4" NPT
G6	1/8" NPT	1" NPT
G11	1/8" NPT	1 1/4" NPT
G7	1/8" NPT	SAE 8 - 3/4" - 16 UNF
G8	1/8" NPT	SAE 12 - 1 1/16" - 12 UN
G9	1/8" NPT	SAE 16 - 1 5/16" - 12 UN
G12	1/8" NPT	SAE 20 - 1 5/8" - 12 UN

Filter Length	H mm	H1 mm	Ø e mm
1	99	120	38
2	146	170	38
3	224	250	46,5
4	326	350	46,5

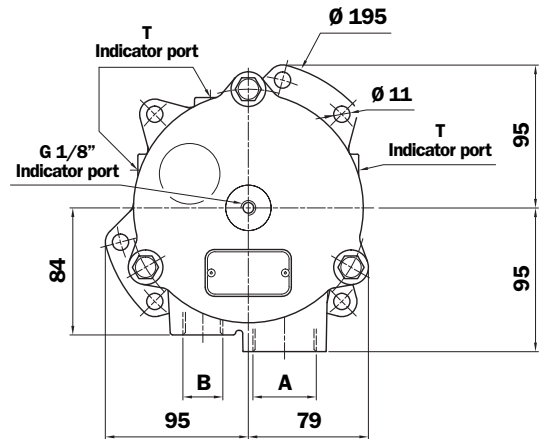
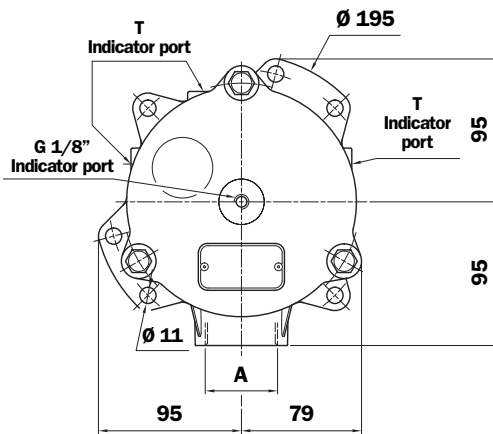
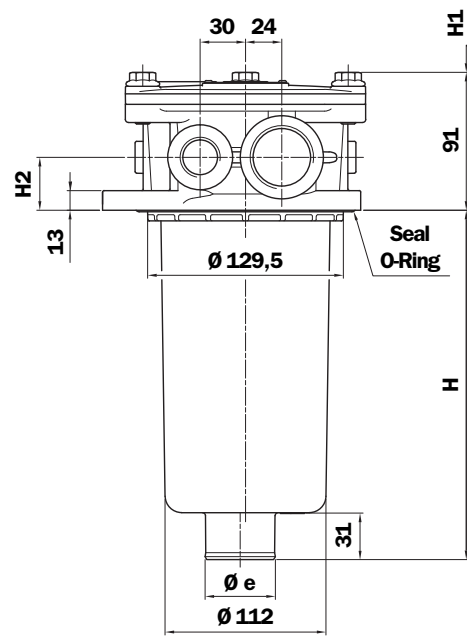
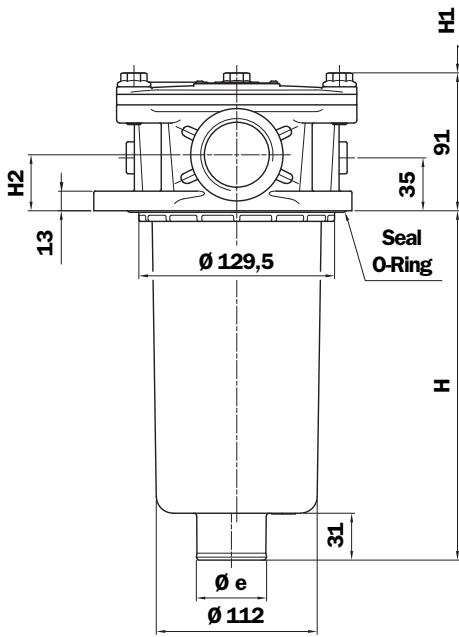
T indicator port  
G 1/4" - 1/4" NPT  
ON REQUEST

Thread connections A	Thread connections B	
	1	2
G1 - G2 - G3 - G10	G 3/8"	G 1/2"
G4 - G5 - G6 - G11	3/8" NPT	1/2" NPT
G7 - G8 - G9 - G12	SAE 8 - 9/16" - 18 UNF	SAE 8 - 3/4" - 16 UNF

# MPF 181 - 191



# MPF 182 - 192



2 option holes on the tank

MPF	Filter Length	H mm	H1 mm	$\varnothing e$ mm
181 - 182	1	233	255	47
	2	445	475	47
191 - 192	2	445	475	50

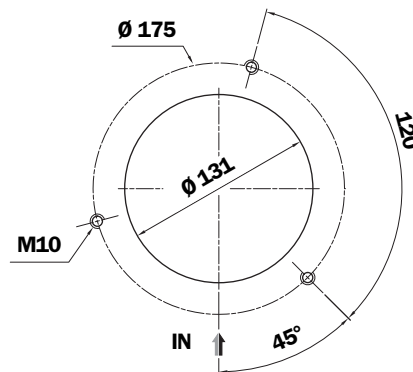
## MPF 181 - 191 Thread connections A

Type 1	T	Type 2	T	A	H2
G1	Indicator port not machined	C1	G 1/8"	G 1 1/4"	35
G4		C4	1/8" NPT	1 1/4" NPT	35
G7		C7	1/8" NPT	SAE 20 - 1 5/8" - 12 UN	35
G2	Indicator port not machined	C2	G 1/8"	G 1 1/2"	37
G5		C5	1/8" NPT	1 1/2" NPT	37
G8		C8	1/8" NPT	SAE 24 - 1 7/8" - 12 UN	37

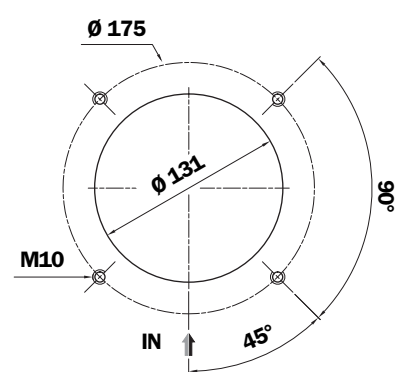
## MPF 182 - 192 Thread connections A

Type 1	T	Type 2	T	A	H2
G1	Ind. port not mach.	C1	G 1/8"	G 1 1/4"	35
G4		C4	1/8" NPT	1 1/4" NPT	35
G7		C7	1/8" NPT	SAE 20 - 1 5/8" - 12 UN	35

### 3 holes assembly



### 4 holes assembly



Thread connections A	Thread connections B (only for MPF 182 - 192)	
	1	2
G1 - C1	G 1/2"	G 3/4"
G4 - C4	1/2 NPT	3/4" NPT
G7 - C7	SAE 8 - 3/4" - 16 UNF	SAE 12 - 1 1/16" - 12 UN

T indicator port  
G 1/4" - 1/4" NPT  
ON REQUEST

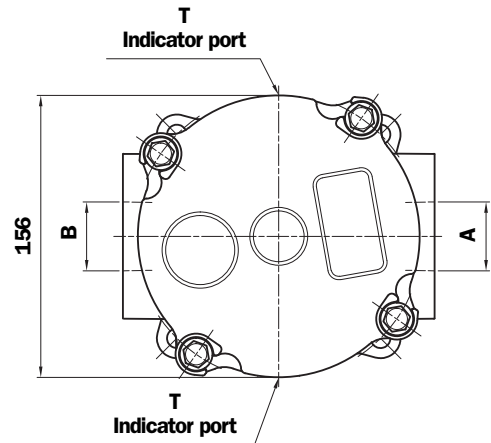
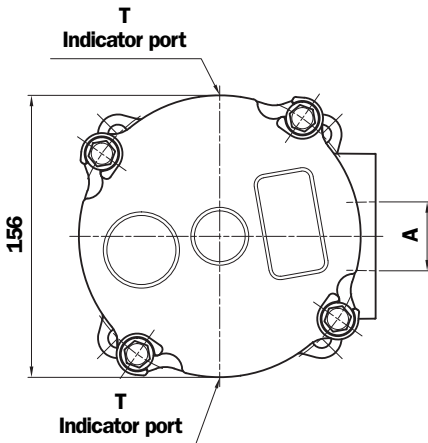
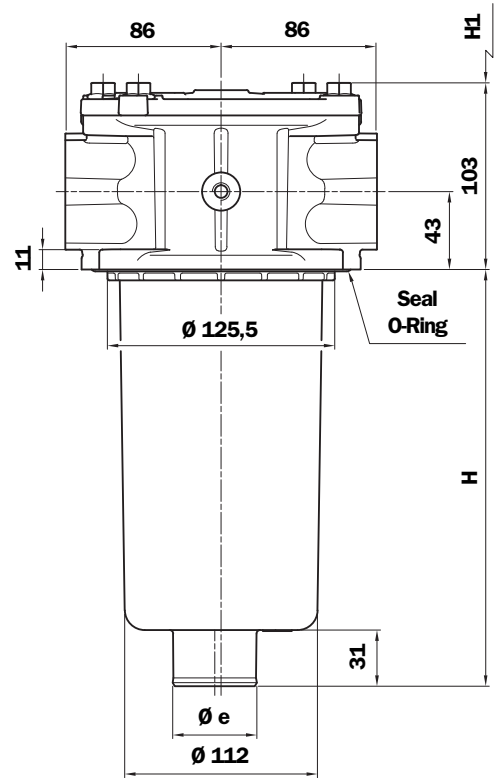
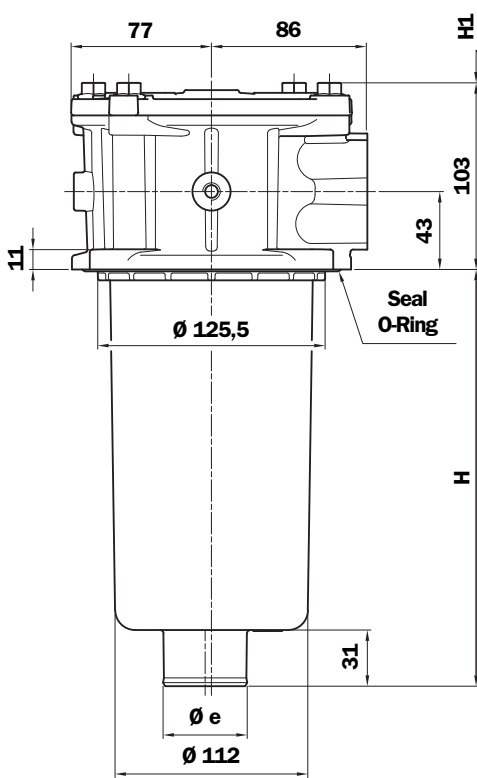
# MPF 184 - 194

1 connection port

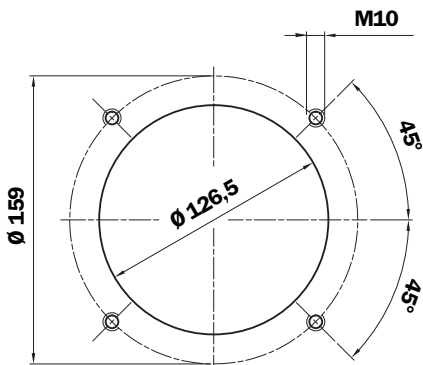


# MPF 184 - 194

2 connection port



### Holes on the tank



MPF	Filter Length	H mm	H1 mm	Ø e mm
184	1	232	260	47
	2	443	480	47
194	2	443	480	50

### Thread connections

Type	A		T
G1	G 1 1/4"	-	G 1/8"
G13	G 1 1/2"	-	G 1/8"
G4	1 1/4" NPT	-	1/8" NPT
G15	1 1/2" NPT	-	1/8" NPT
G7	SAE 20 - 1 5/8" - 12 UN	-	1/8" NPT
G10	SAE 24 - 1 7/8" - 12 UN	-	1/8" NPT

Type	A	B	T
G2	G 1 1/4"	G 1 1/4"	G 1/8"
G14	G 1 1/2"	G 1 1/4"	G 1/8"
G5	1 1/4" NPT	1 1/4" NPT	1/8" NPT
G16	1 1/2" NPT	1 1/4" NPT	1/8" NPT
G8	SAE 20 - 1 5/8" - 12 UN	SAE 20 - 1 5/8" - 12 UN	1/8" NPT
G11	SAE 24 - 1 7/8" - 12 UN	SAE 20 - 1 5/8" - 12 UN	1/8" NPT

### Flange connections\*

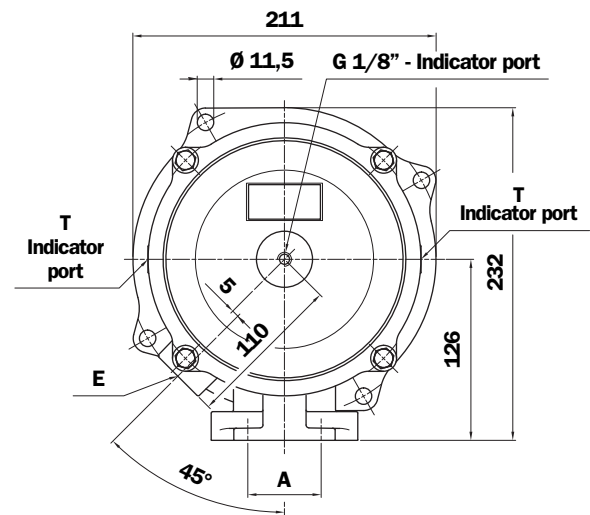
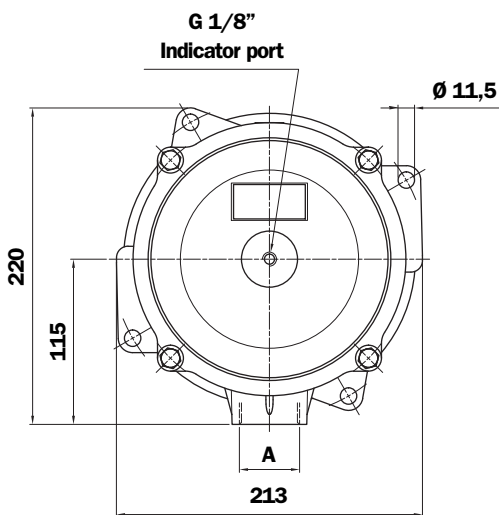
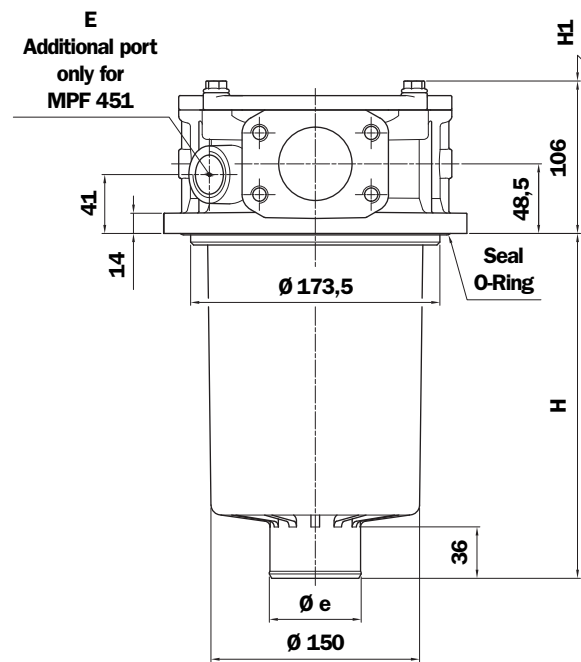
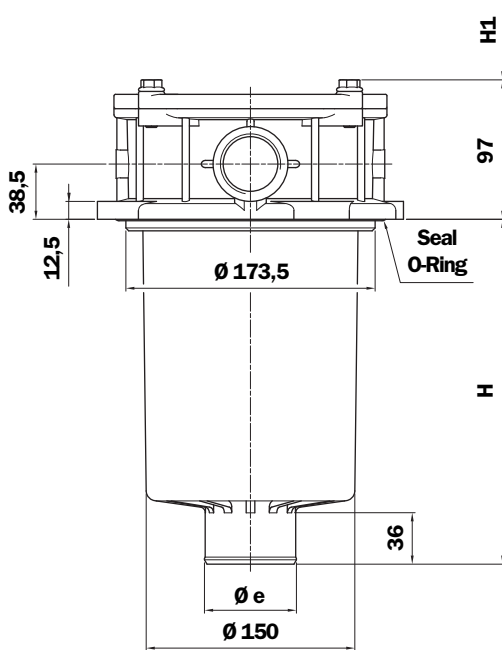
Type	A		T
F1	1 1/2" SAE 3000 psi/M	-	G 1/8"
F2	1 1/2" SAE 3000 psi/UNC	-	1/8" NPT

Type	A	B	T
F3	1 1/2" SAE 3000 psi/M	1 1/2" SAE 3000 psi/M	G 1/8"
F4	1 1/2" SAE 3000 psi/UNC	1 1/2" SAE 3000 psi/UNC	1/8" NPT

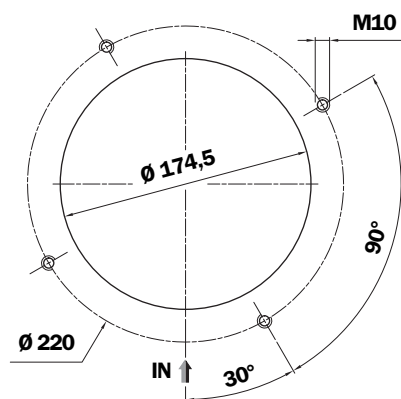
\*Connections table "DN - SAE flange" see page 5

# MPF 400

# MPF 450 - 451



### Holes on the tank



### MPF 400

#### Thread connections

Type	A
G1	G 1 1/4"
G2	G 1 1/2"
G3	G 2"
G4	1 1/4" NPT
G5	1 1/2" NPT
G6	2" NPT
G7	SAE 20 - 1 5/8" - 12 UN
G8	SAE 24 - 1 7/8" - 12 UN
G9	SAE 32 - 2 1/2" - 12 UN

### MPF 400 - 450 - 451

Filter Length	H mm	H1 mm	Ø e mm
1	180	210	51
2	240	270	64
3	290	315	64

### MPF 450 - 451

#### Thread connections

Type	A	E <sup>(1)</sup>	T
G1	G 2"	G 3/4"	G 1/8"
G4	2" NPT	3/4" NPT	1/8" NPT
G7	SAE 32 - 2 1/2" - 12 UN	SAE 12	1/8" NPT

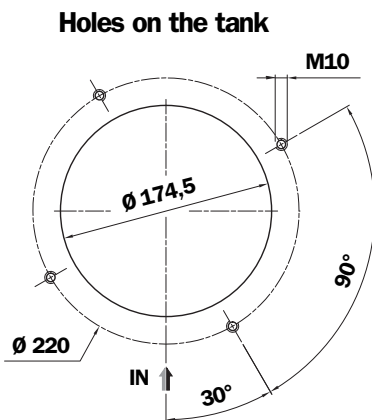
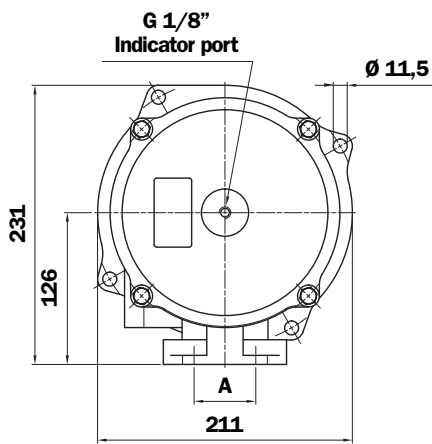
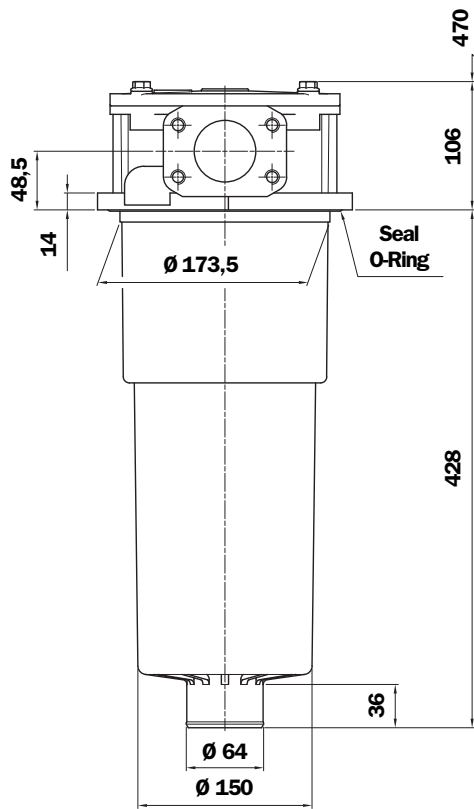
#### Flange connections MPF 450 - 451<sup>(2)</sup>

Type	A	E <sup>(1)</sup>	T
F1	2" SAE 3000 psi/M	G 3/4"	G 1/8"
F2	2" SAE 3000 psi/UNC	3/4" NPT	1/8" NPT

(1) Additional port only for MPF 451

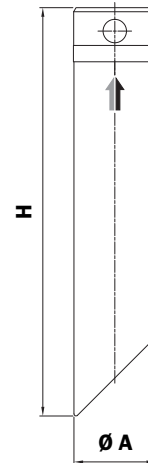
(2) Connections table "DN - SAE flange" see page 5

# MPF 750



# Accessories

Standard Nylon extension tube  
Supplied not fitted



Code	H	Ø A	Size MPF (Option P01)	Filter Length
TE25A200	200	25	030	1
TE25A250	250			
TE25A300	300			
TE25A350	350			
TE25A400	400			
TE25A450	450			
TE25A500	500			
TE32A200	200	32	100 - 104 - 110	1 - 2
TE32A250	250			
TE32A300	300			
TE32A350	350			
TE32A400	400			
TE32A450	450			
TE32A500	500	40	100 - 104 - 110	3 - 4
TE40A200	200			
TE40A250	250			
TE40A300	300			
TE40A350	350		181 - 182 - 184	1 - 2
TE40A400	400			
TE40A450	450			
TE40A500	500			

## Thread connections

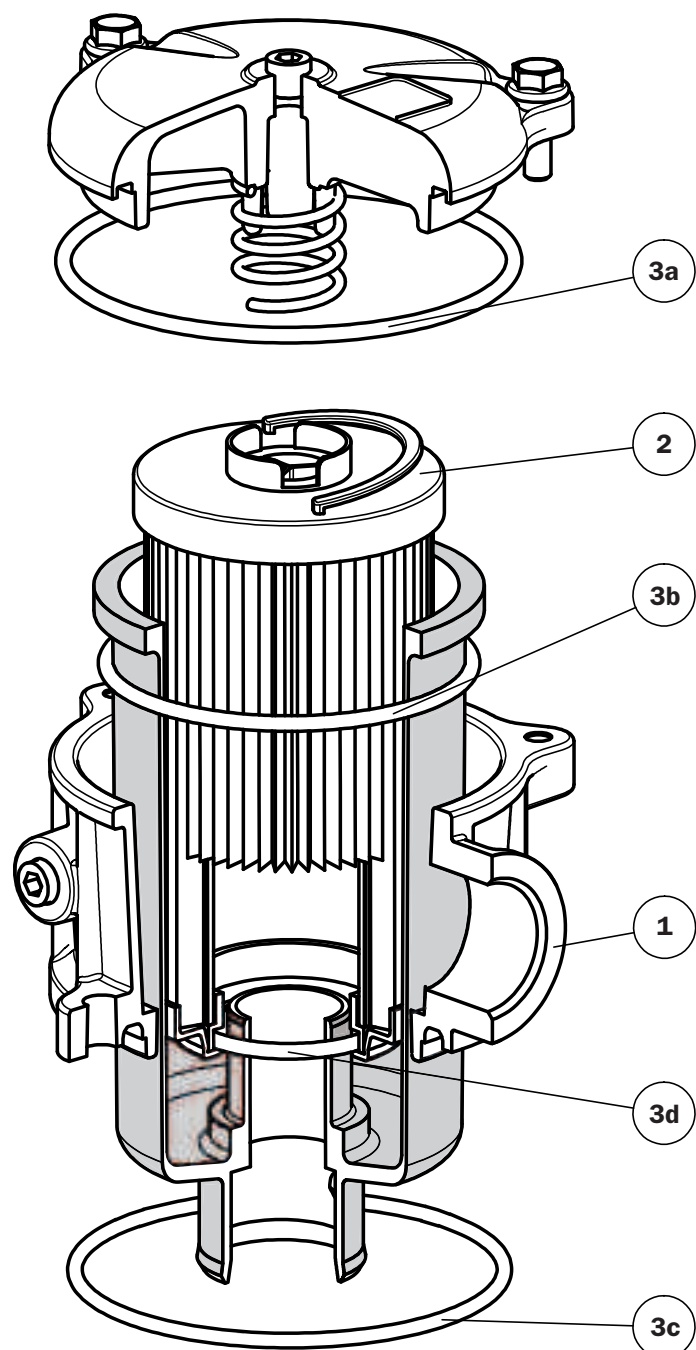
Type	A
G1	G 2"
G4	2" NPT
G7	SAE 32 - 2 1/2" - 12 UN

## Flange connections\*

Type	A
F1	2" SAE 3000 psi/M
F2	2" SAE 3000 psi/UNC

\*Connections table "DN - SAE flange"  
see page 5

# Spare parts





# Spare parts

Item	Description	Q.ty	FILTER Series MPF							
			020		030		100 - 110		104	
1	Filter assembly	1	See order table							
2	Filter element	1	See order table							
3	Seal Kit	1	NBR 02050438	FPM 02050439	NBR 02050055	FPM 02050056	NBR 02050057	FPM 02050058	NBR 02050350	FPM 02050408
3a	Cover seal	1	O-R 174 Ø 71,44 x 3,53		O-R 174 Ø 71,44 x 3,53		O-R 4387 Ø 98,02 x 3,53		O-R 4387 Ø 98,02 x 3,53	
3b	Bowl seal	1	-		O-R 3225 Ø 56,82 x 2,62		O-R 4312 Ø 78,97 x 3,53		O-R 4312 Ø 78,97 x 3,53	
3c	Head seal	1	01026335	01026336	O-R 3275 Ø 69,52 x 2,62		O-R 6362 Ø 91,44 x 5,34		01026256	01026286
3d	Filter element seal	1	O-R 3093 Ø 23,47 x 2,62		O-R 3093 Ø 23,47 x 2,62		Length 1-2 O-R 4112 Ø 28,17 x 3,53		Length 1-2 O-R 4112 Ø 28,17 x 3,53	
							Length 3-4 O-R 4162 Ø 40,86 x 3,53		Length 3-4 O-R 4162 Ø 40,86 x 3,53	

Item	Description	Q.ty	FILTER Series MPF							
			181 - 182		184		191 - 192		194	
1	Filter assembly	1	See order table							
2	Filter element	1	See order table							
3	Seal Kit	1	NBR 02050059	FPM 02050060	NBR 02050455	FPM 02050456	NBR 02050457	FPM 02050458	NBR 02050459	FPM 02050460
3a	Cover seal	1	O-R 4537 Ø 136,10 x 3,53		O-R 4512 Ø 129,80 x 3,53		O-R 4537 Ø 136,10 x 3,53		O-R 4512 Ø 129,80 x 3,53	
3b	Bowl seal	1	O-R 4425 Ø 107,50 x 3,53		O-R 4425 Ø 107,50 x 3,53		O-R 4425 Ø 107,50 x 3,53		O-R 4425 Ø 107,50 x 3,53	
3c	Head seal	1	O-R 6535 Ø 135,89 x 5,34		O-R 210 Ø 133,40 x 5,34		O-R 6535 Ø 135,89 x 5,34		O-R 210 Ø 133,40 x 5,34	
3d	Filter element seal	1	O-R 4162 Ø 40,86 x 3,53		O-R 4162 Ø 40,86 x 3,53		O-R Metric Ø 50 x 4		O-R Metric Ø 50 x 4	

Item	Description	Q.ty	FILTER Series MPF					
			400		450 - 451		750	
1	Filter assembly	1	See order table					
2	Filter element	1	See order table					
3	Seal Kit	1	NBR 02050061	FPM 02050062	NBR 02050461	FPM 02050462	NBR 02050106	FPM 02050107
3a	Cover seal	1	O-R 4675 Ø 171 x 3,53		O-R 4675 Ø 171 x 3,53		O-R 4675 Ø 171 x 3,53	
3b	Bowl seal	1	O-R 221 Ø 149,20 x 5,34		O-R 221 Ø 149,20 x 5,34		O-R 221 Ø 149,20 x 5,34	
3c	Head seal	1	O-R 233 Ø 181 x 6,99		O-R 233 Ø 181 x 6,99		O-R 6720 Ø 183,51 x 5,34	
3d	Filter element seal	1	Length 1 O-R 155 Ø 50,80 x 3,53	Length 1 O-R 155 Ø 50,80 x 3,53	Length 1 O-R 155 Ø 50,80 x 3,53	Length 1 O-R 155 Ø 50,80 x 3,53	O-R 168 Ø 65,09 x 3,53	
			Length 2-3 O-R 168 Ø 65,09 x 3,53	Length 2-3 O-R 168 Ø 65,09 x 3,53	Length 2-3 O-R 168 Ø 65,09 x 3,53	Length 2-3 O-R 168 Ø 65,09 x 3,53		

# Ordering information MPF 020-030-104

## Filter assembly

### MPF

	1	2	3	4	5	6	8	9
<b>Example 1: MPF</b>	<b>104</b>	<b>2</b>	<b>A</b>	<b>G3</b>	<b>A06</b>	<b>H</b>	<b>E</b>	<b>P01</b>
<b>Example 2: MPF</b>	<b>030</b>	<b>1</b>	<b>A</b>	<b>G1</b>	<b>A10</b>	<b>H</b>	<b>B</b>	<b>P01</b>

## Filter element

### MF

	1	2	5	6	7	8	9
<b>Example 1: MF</b>	<b>100</b>	<b>2</b>	<b>A06</b>	<b>H</b>	<b>B</b>	<b>E</b>	<b>P01</b>
<b>Example 2: MF</b>	<b>030</b>	<b>1</b>	<b>A10</b>	<b>H</b>	<b>B</b>	<b>P01</b>	

### 1 - Style

Filter	Filter element
<b>020</b>	<b>030</b>
<b>030</b>	<b>030</b>
<b>104</b>	<b>100</b>

### 2 - Filter length

<b>020</b>	<b>1</b>				
<b>030</b>	<b>1</b>				
<b>104</b>	<b>1</b>	<b>2</b>	<b>3</b>	<b>4</b>	

### 3 - Filter seals & Treatment

<b>A</b>	NBR
<b>V</b>	FPM
<b>W*</b>	NBR, head anodized
<b>Z*</b>	FPM, head anodized

### 4 - Connections

#### MPF 020

Type	A
<b>P1</b>	Hose barb - Ø 12

#### MPF 030

Type	A
<b>G1</b>	G 1/2"
<b>G4</b>	1/2" NPT
<b>G7</b>	SAE 8 - 3/4" - 16 UNF

#### MPF 104

Type 1	T	Type 2	T	A
<b>G1</b>	Indicator port not machined	<b>C1</b>	G 1/8"	G 1/2"
<b>G2</b>		<b>C2</b>	G 1/8"	G 3/4"
<b>G3</b>		<b>C3</b>	G 1/8"	G 1"
<b>G4</b>		<b>C4</b>	1/8" NPT	1/2" NPT
<b>G5</b>		<b>C5</b>	1/8" NPT	3/4" NPT
<b>G6</b>		<b>C6</b>	1/8" NPT	1" NPT
<b>G7</b>		<b>C7</b>	1/8" NPT	SAE 8 - 3/4" - 16 UNF
<b>G8</b>		<b>C8</b>	1/8" NPT	SAE 12 - 1.1/16" - 12 UN
<b>G9</b>		<b>C9</b>	1/8" NPT	SAE 16 - 1.5/16" - 12 UN

### 5 - Filter element

<b>A03</b>	Inorganic microfibre 3 µ	Absolute filtration βx(c) ≥ 1000
<b>A06</b>	Inorganic microfibre 6 µ	
<b>A10</b>	Inorganic microfibre 10 µ	
<b>A16</b>	Inorganic microfibre 16 µ	
<b>A25</b>	Inorganic microfibre 25 µ	
<b>M25</b>	Wire mesh	Nominal Filtration
<b>M60</b>	Wire mesh	
<b>M90</b>	Wire mesh	
<b>P10</b>	Resin impregnated paper	Nominal Filtration
<b>P25</b>	Resin impregnated paper	

### 6 - Δp Filter element

<b>N</b>	Δp 10 bar (only for filter element type Pxx and Mxx)
<b>H</b>	Δp 10 bar (only for filter element type Axx)
<b>W*</b>	Δp 10 bar (only for filter element type Axx and Mxx)

### 7 - Filter element seals

<b>B</b>	NBR
<b>V</b>	FPM

### 8 - By-pass valve

<b>E</b>	3 bar
<b>B</b>	1.75 bar (Omit in the element code - only for 1.75 bar)

### 9 - Option

<b>P01</b>	MP Filtri standard
------------	--------------------

\* Compatible with fluid HFA, HFB, HFC

**MP Filtri** - The filter functions as described in this bulletin are valid exclusively for original MP Filtri filter elements and replacement parts. All rights reserved

The data in this publication are purely guideline. MP Filtri reserves the right to make changes to the models described herein at any time it deems fit in relation to technical or commercial requirements. The colours of the products shown on the cover are purely guideline. Copyright. All rights reserved.

# Ordering information MPF 100-110

<b>Filter assembly</b>	<b>1</b>	<b>2</b>	<b>3</b>	<b>4</b>	<b>5</b>	<b>6</b>	<b>7</b>	<b>9</b>	<b>10</b>
<b>MPF</b>	<input type="checkbox"/>	<input type="checkbox"/>	<input type="checkbox"/>	<input type="checkbox"/>	<input type="checkbox"/>	<input type="checkbox"/>	<input type="checkbox"/>	<input type="checkbox"/>	<input type="checkbox"/>

Example 1: MPF **110 2 A G3 1 A06 H E P01**  
 Example 2: MPF **100 1 W G1 A10 W B P01**

<b>Filter element</b>	<b>1</b>	<b>2</b>	<b>6</b>	<b>7</b>	<b>8</b>	<b>9</b>	<b>10</b>
<b>MF</b>	<input type="checkbox"/>	<input type="checkbox"/>	<input type="checkbox"/>	<input type="checkbox"/>	<input type="checkbox"/>	<input type="checkbox"/>	<input type="checkbox"/>

Example 1: MF **100 2 A06 H B E P01**  
 Example 2: MF **100 1 A10 W B P01**

## 1 - Style

<b>Filter</b>	<b>Filter element</b>
<b>100</b>	<b>100</b>
<b>110</b>	<b>100</b>

## 2 - Filter length

<b>100</b>	<b>1</b>	<b>2</b>	<b>3</b>	<b>4</b>
<b>110</b>	<b>1</b>	<b>2</b>	<b>3</b>	<b>4</b>

## 3 - Filter seals & Treatment

<b>A</b>	NBR
<b>V</b>	FPM
<b>W*</b>	NBR, head anodized
<b>Z*</b>	FPM, head anodized

## 4 - Connections A

### MPF 100

Type 1	T	Type 2	T	A
<b>G1</b>	Indicator port not machined	<b>C1</b>	G 1/8"	G 1/2"
<b>G2</b>		<b>C2</b>	G 1/8"	G 3/4"
<b>G3</b>		<b>C3</b>	G 1/8"	G 1"
<b>G10</b>		<b>C10</b>	G 1/8"	G 1 1/4"
<b>G4</b>		<b>C4</b>	1/8" NPT	1/2" NPT
<b>G5</b>		<b>C5</b>	1/8" NPT	3/4" NPT
<b>G6</b>		<b>C6</b>	1/8" NPT	1" NPT
<b>G11</b>		<b>C11</b>	1/8" NPT	1 1/4" NPT
<b>G7</b>		<b>C7</b>	1/8" NPT	SAE 8 - 3/4" - 16 UNF
<b>G8</b>		<b>C8</b>	1/8" NPT	SAE 12 - 1 1/16" - 12 UN
<b>G9</b>		<b>C9</b>	1/8" NPT	SAE 16 - 1 5/16" - 12 UN
<b>G12</b>		<b>C12</b>	1/8" NPT	SAE 20 - 1 5/8" - 12 UN

### MPF 110

Type	T	A
<b>G1</b>	G 1/8"	G 1/2"
<b>G2</b>	G 1/8"	G 3/4"
<b>G3</b>	G 1/8"	G 1"
<b>G10</b>	G 1/8"	G 1 1/4"
<b>G4</b>	1/8" NPT	1/2" NPT
<b>G5</b>	1/8" NPT	3/4" NPT
<b>G6</b>	1/8" NPT	1" NPT
<b>G11</b>	1/8" NPT	1 1/4" NPT
<b>G7</b>	1/8" NPT	SAE 8 - 3/4" - 16 UNF
<b>G8</b>	1/8" NPT	SAE 12 - 1 1/16" - 12 UN
<b>G9</b>	1/8" NPT	SAE 16 - 1 5/16" - 12 UN
<b>G12</b>	1/8" NPT	SAE 20 - 1 5/8" - 12 UN

## 5 - Connections B (only for MPF 110)

Type	Connections A		
	G1 - G2 - G3 - G10	G4 - G5 - G6 - G11	G7 - G8 - G9 - G12
<b>1</b>	G 3/8"	3/8" NPT	SAE 6 - 9/16" 18 UNF
<b>2</b>	G 1/2"	1/2" NPT	SAE 8 - 3/4" 16 UNF

## 6 - Filter element

<b>A03</b>	Inorganic microfibre 3 μ	Absolute filtration βx (c) ≥ 1000
<b>A06</b>	Inorganic microfibre 6 μ	
<b>A10</b>	Inorganic microfibre 10 μ	
<b>A16</b>	Inorganic microfibre 16 μ	
<b>A25</b>	Inorganic microfibre 25 μ	
<b>M25</b>	Wire mesh	Nominal Filtration
<b>M60</b>	Wire mesh	
<b>M90</b>	Wire mesh	
<b>P10</b>	Resin impregnated paper	Nominal Filtration
<b>P25</b>	Resin impregnated paper	

## 7 - Δp Filter element

<b>N</b>	Δp 10 bar (only for filter element type Pxx and Mxx)
<b>H</b>	Δp 10 bar (only for filter element type Axx)
<b>W*</b>	Δp 10 bar (only for filter element type Axx and Mxx)

## 8 - Filter element seals

<b>B</b>	NBR
<b>V</b>	FPM

## 9 - By-pass valve

<b>E</b>	3 bar
<b>B</b>	1.75 bar (Omit in the element code - only for 1.75 bar)

## 10 - Option

<b>P01</b>	MP Filtri standard
------------	--------------------

\* **Compatible with fluid HFA, HFB, HFC**

**MP Filtri** - The filter functions as described in this bulletin are valid exclusively for original MP Filtri filter elements and replacement parts. All rights reserved

The data in this publication are purely guideline. MP Filtri reserves the right to make changes to the models described herein at any time it deems fit in relation to technical or commercial requirements. The colours of the products shown on the cover are purely guideline. Copyright. All rights reserved.

# Ordering information NEW MPF 181-182-191-192

<b>Filter assembly</b>	<b>1</b>	<b>2</b>	<b>3</b>	<b>4</b>	<b>5</b>	<b>6</b>	<b>7</b>	<b>9</b>	<b>10 a</b>
<b>MPF</b>	<input type="checkbox"/>	<input type="checkbox"/>	<input type="checkbox"/>	<input type="checkbox"/>	<input type="checkbox"/>	<input type="checkbox"/>	<input type="checkbox"/>	<input type="checkbox"/>	<input type="checkbox"/>

Example 1: MPF **181 1 A G2**      Example 2: MPF **192 2 A G1 2 P10 H N E B P01**

<b>Filter element</b>	<b>1</b>	<b>2</b>	<b>6</b>	<b>7</b>	<b>8</b>	<b>9</b>	<b>10 b</b>
<b>MF</b>	<input type="checkbox"/>	<input type="checkbox"/>	<input type="checkbox"/>	<input type="checkbox"/>	<input type="checkbox"/>	<input type="checkbox"/>	<input type="checkbox"/>

Example 1: MF **180 1 A06 H B E P01**      Example 2: MF **190 2 P10 N B P01**

## 1 - Style

Filter	Filter element
<b>181</b>	<b>180</b>
<b>182</b>	<b>180</b>
<b>191</b>	<b>190</b>
<b>192</b>	<b>190</b>

## 2 - Filter length

<b>181</b>	<b>1</b>	<b>2</b>
<b>182</b>	<b>1</b>	<b>2</b>
<b>191</b>		<b>2</b>
<b>192</b>		<b>2</b>

## 3 - Filter seals & Treatment

<b>A</b>	NBR
<b>V</b>	FPM
<b>W*</b>	NBR, head anodized
<b>Z*</b>	FPM, head anodized
<b>B</b>	NBR, flat seal on head
<b>D</b>	FPM, flat seal on head
<b>L</b>	NBR, flat seal on head, head anodized
<b>M</b>	FPM, flat seal on head, head anodized

## 4 - Connections A

### MPF 181 - 191

Type 1	T	Type 2	T	A
<b>G1</b>	Indicator port not machined	<b>C1</b>	G 1/8"	G 1 1/4"
<b>G4</b>		<b>C4</b>	1/8" NPT	1 1/4" NPT
<b>G7</b>		<b>C7</b>	1/8" NPT	SAE 20 - 15/8" - 12 UN
<b>G2</b>		<b>C2</b>	G 1/8"	G 1 1/2"
<b>G5</b>		<b>C5</b>	1/8" NPT	1 1/2" NPT
<b>G8</b>		<b>C8</b>	1/8" NPT	SAE 24 - 17/8" - 12 UN

### MPF 182 - 192

Type 1	T	Type 2	T	A
<b>G1</b>	Ind. port not mach.	<b>C1</b>	G 1/8"	G 1 1/4"
<b>G4</b>		<b>C4</b>	1/8" NPT	1 1/4" NPT
<b>G7</b>		<b>C7</b>	1/8" NPT	SAE 20 - 15/8" - 12 UN

## 5 - Connections B (only for MPF 182 - 192)

Type	Connections A		
	G1 - C1	G4 - C4	G7 - C7
<b>1</b>	G 1/2"	1/2" NPT	SAE 8 - 3/4" - 18 UNF
<b>2</b>	G 3/4"	3/4" NPT	SAE 12 - 11/16" - 12 UN

## 6 - Filter element

<b>A03</b>	Inorganic microfibre	3 µ	Absolute filtration β <sub>x</sub> (c) ≥ 1000
<b>A06</b>	Inorganic microfibre	6 µ	
<b>A10</b>	Inorganic microfibre	10 µ	
<b>A16</b>	Inorganic microfibre	16 µ	
<b>A25</b>	Inorganic microfibre	25 µ	
<b>M25</b>	Wire mesh		Nominal Filtration
<b>M60</b>	Wire mesh		
<b>M90</b>	Wire mesh		
<b>P10</b>	Resin impregnated paper		Nominal Filtration
<b>P25</b>	Resin impregnated paper		

## 7 - Δp Filter element

<b>N</b>	Δp 10 bar (only for filter element type Pxx and Mxx)
<b>H</b>	Δp 10 bar (only for filter element type Axx)
<b>W*</b>	Δp 10 bar (only for filter element type Axx and Mxx)

## 8 - Filter element seals

<b>B</b>	NBR
<b>V</b>	FPM

## 9 - By-pass valve

<b>E</b>	3 bar
<b>B</b>	1.75 bar (Omit in the element code - only for 1.75 bar)

## 10 - Option

<b>a) Filter</b>	
<b>P01</b>	MP Filtri standard
<b>Sxx</b>	Filter assembly with steel extension tube mounted (only for MPF 191-192)
<b>b) Filter element</b>	
<b>P01</b>	MP Filtri standard

\* Compatible with fluid HFA, HFB, HFC

**MP Filtri** - The filter functions as described in this bulletin are valid exclusively for original MP Filtri filter elements and replacement parts. All rights reserved

The data in this publication are purely guideline. MP Filtri reserves the right to make changes to the models described herein at any time it deems fit in relation to technical or commercial requirements. The colours of the products shown on the cover are purely guideline. Copyright. All rights reserved.

# Ordering information MPF 184-194-400-750

## Filter assembly

### MPF

	<b>1</b>	<b>2</b>	<b>3</b>	<b>4</b>	<b>5</b>	<b>6</b>	<b>8</b>	<b>9a</b>
	<input type="checkbox"/>	<input type="checkbox"/>	<input type="checkbox"/>	<input type="checkbox"/>	<input type="checkbox"/>	<input type="checkbox"/>	<input type="checkbox"/>	<input type="checkbox"/>
<b>Example 1: MPF</b>	<b>184</b>	<b>2</b>	<b>A</b>	<b>G2</b>	<b>A06</b>	<b>H</b>	<b>E</b>	<b>P01</b>
<b>Example 2: MPF</b>	<b>750</b>	<b>1</b>	<b>A</b>	<b>G4</b>	<b>P10</b>	<b>N</b>	<b>B</b>	<b>P01</b>

## Filter element

### MF

	<b>1</b>	<b>2</b>	<b>5</b>	<b>6</b>	<b>7</b>	<b>8</b>	<b>9b</b>
	<input type="checkbox"/>	<input type="checkbox"/>	<input type="checkbox"/>	<input type="checkbox"/>	<input type="checkbox"/>	<input type="checkbox"/>	<input type="checkbox"/>
<b>Example 1: MF</b>	<b>180</b>	<b>2</b>	<b>A06</b>	<b>H</b>	<b>B</b>	<b>E</b>	<b>P01</b>
<b>Example 2: MF</b>	<b>750</b>	<b>1</b>	<b>P10</b>	<b>N</b>	<b>B</b>		<b>P01</b>

### 1 - Style

Filter	Filter element
<b>184</b>	<b>180</b>
<b>194</b>	<b>190</b>
<b>400</b> <b>450</b> <b>451</b>	<b>400</b>
<b>750</b>	<b>750</b>

### 2 - Filter length

<b>184</b>	<b>1</b>	<b>2</b>
<b>194</b>		<b>2</b>
<b>400</b> <b>450</b> <b>451</b>	<b>1</b>	<b>2</b> <b>3</b>
<b>750</b>	<b>1</b>	

### 3 - Filter seals & Treatment

<b>A</b>	NBR
<b>V</b>	FPM
<b>W*</b>	NBR, head anodized
<b>Z*</b>	FPM, head anodized

### 4 - Connections

#### MPF 184 - 194

Type	A	B
<b>G1</b>	G 1 1/4"	-
<b>G13</b>	G 1 1/2"	-
<b>G4</b>	1 1/4" NPT	-
<b>G15</b>	1 1/2" NPT	-
<b>G7</b>	SAE 20 - 1 5/8" - 12 UN	-
<b>G10</b>	SAE 24 - 1 7/8" - 12 UN	-
<b>G2</b>	G 1 1/4"	G 1 1/4"
<b>G14</b>	G 1 1/2"	G 1 1/4"
<b>G5</b>	1 1/4" NPT	1 1/4" NPT
<b>G16</b>	1 1/2" NPT	1 1/4" NPT
<b>G8</b>	SAE 20 - 1 5/8" - 12 UN	SAE 20 - 1 5/8" - 12 UN
<b>G11</b>	SAE 24 - 1 7/8" - 12 UN	SAE 20 - 1 5/8" - 12 UN
<b>F1</b>	1 1/2" SAE 3000 psi/M	-
<b>F2</b>	1 1/2" SAE 3000 psi/UNC	-
<b>F3</b>	1 1/2" SAE 3000 psi/M	1 1/2" SAE 3000 psi/M
<b>F4</b>	1 1/2" SAE 3000 psi/UNC	1 1/2" SAE 3000 psi/UNC

#### MPF 400

Type	A	Type	A
<b>G1</b>	G 1 1/4"	<b>G6</b>	2" NPT
<b>G2</b>	G 1 1/2"	<b>G7</b>	SAE 20 - 1 5/8" - 12 UN
<b>G3</b>	G 2"	<b>G8</b>	SAE 24 - 1 7/8" - 12 UN
<b>G4</b>	1 1/4" NPT	<b>G9</b>	SAE 32 - 2 1/2" - 12 UN
<b>G5</b>	1 1/2" NPT	-	-

### MPF 450 - 451 - 750

Type	A	E(1)
<b>G1</b>	G 2"	G 3/4"
<b>G4</b>	2" NPT	3/4" NPT
<b>G7</b>	SAE 32 - 2 1/2" - 12 UN	SAE 12
<b>F1</b>	2" SAE 3000 psi/M	G 3/4"
<b>F2</b>	2" SAE 3000 psi/UNC	3/4" NPT

(1) Additional port only for MPF 451

### 5 - Filter element

<b>A03</b>	Inorganic microfibre	3 μ	Absolute filtration βx (c) ≥ 1000
<b>A06</b>	Inorganic microfibre	6 μ	
<b>A10</b>	Inorganic microfibre	10 μ	
<b>A16</b>	Inorganic microfibre	16 μ	
<b>A25</b>	Inorganic microfibre	25 μ	
<b>M25</b>	Wire mesh		Nominal Filtration
<b>M60</b>	Wire mesh		
<b>M90</b>	Wire mesh		
<b>P10</b>	Resin impregnated paper		Nominal Filtration
<b>P25</b>	Resin impregnated paper		

### 6 - Δp Filter element

<b>N</b>	Δp 10 bar (only for filter element type Pxx and Mxx)
<b>H</b>	Δp 10 bar (only for filter element type Axx)
<b>W*</b>	Δp 10 bar (only for filter element type Axx and Mxx)

### 7 - Filter element seals

<b>B</b>	NBR
<b>V</b>	FPM

### 8 - By-pass valve

<b>E</b>	3 bar
<b>B</b>	1.75 bar (Omit in the element code - only for 1.75 bar)

### 9 - Option

<b>a) Filter</b>	
<b>P01</b>	MP Filtri standard
<b>Sxx</b>	Filter assembly with steel extension tube mounted (only for MPF 194-400-450-451-750)
<b>b) Filter element</b>	
<b>P01</b>	MP Filtri standard

\* Compatible with fluid HFA, HFB, HFC

**MP Filtri** - The filter functions as described in this bulletin are valid exclusively for original MP Filtri filter elements and replacement parts. All rights reserved

The data in this publication are purely guideline. MP Filtri reserves the right to make changes to the models described herein at any time it deems fit in relation to technical or commercial requirements. The colours of the products shown on the cover are purely guideline. Copyright. All rights reserved.