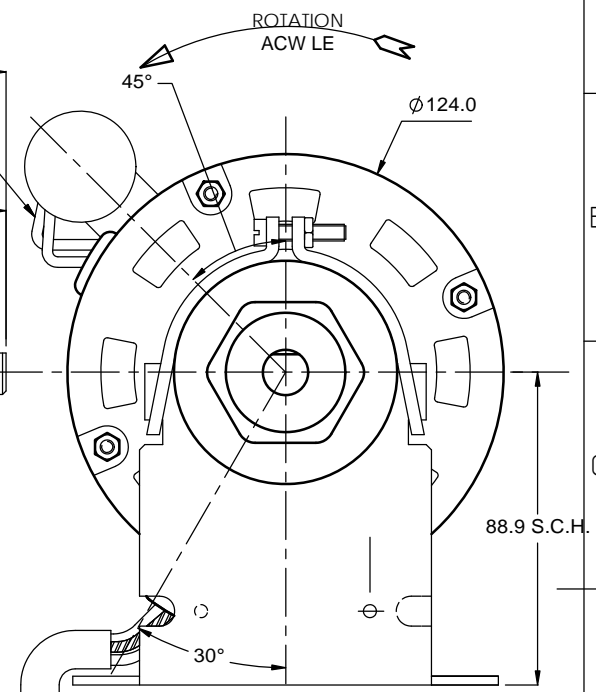
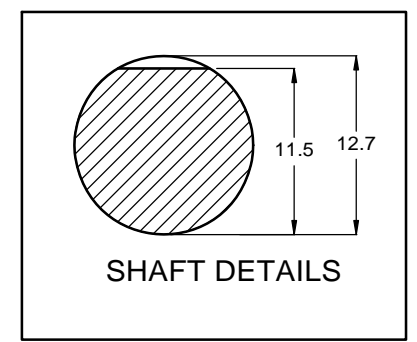
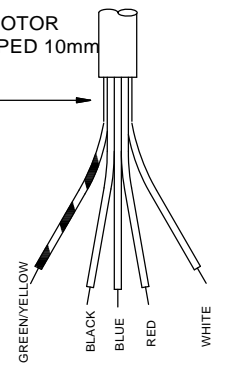


CAPACITOR LEADS SOLDERED TO CAPACITOR WITH LEADS AS SHORT AS POSSIBLE.



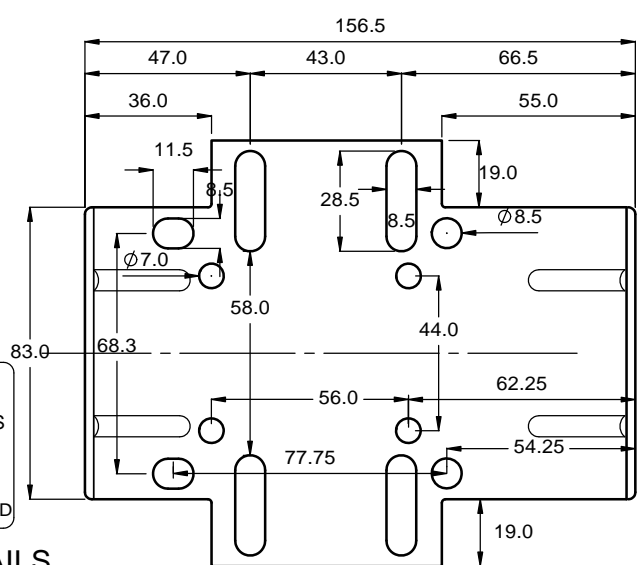
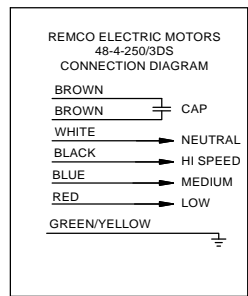
NOTE: VENTILATED ENDSHEILDS

5 CORE CABLE EXTENDS 1280mm FROM MOTOR BODY. SLEEVED 1100mm AND ENDS STRIPPED 10mm



ENCLOSURE - VENTILATED  
BEARING - BALL

ALL DIMENSIONS IN mm UNLESS OTHERWISE STATED



**REMCO** **CE**  
Model No. 48-4-250/3DS  
240V - 50Hz - 3.0A  
1300RPM - 250W  
10uF 440V CAP  
THERMALLY PROTECTED

NAMEPLATE DETAILS

J.SOMERVILLE DRW BY	CHECKED BY	APPROVED BY	48-4-250-3ds FILENAME	21-09-04 DATE	DO NOT SCALE
		REMCO PRODUCTS LIMITED	48-4-250/3DS		
			1.0 ISSUE	1/1 SHEET	