

Male adaptor union

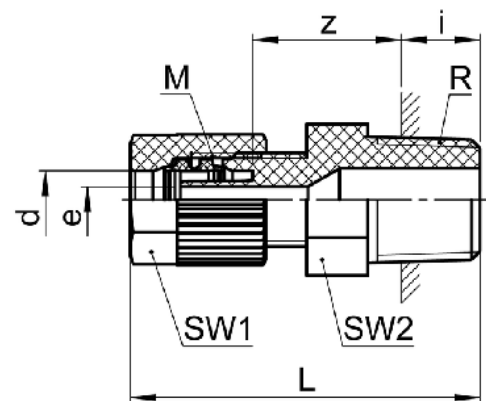


SO Code: SO 31121

Art. no.: 168.1101.170

Technical details

Type	SO 31121-8-1/4
d	8.0 mm
R	1/4
Pressure (PN) +	10.0 bar
M	12x1.0
SW1	14.0 mm
SW2	14.0 mm
L	37.5 mm
i	8.0 mm
z	16.5 mm
e	4.8 mm
Tube connection	metric
Material type	PA
Material	PA 6.6 (Polyamide)



d = Tube outside diam. / with wall thickness 1 mm

R = BSP thread (tapered)

L = Installed length

e = Minimum bore

Additional information

+ = higher pressure on request