

DIMENSION TABLE

ANSI 1000 WOG DIMENSION TABLE

Unit : mm

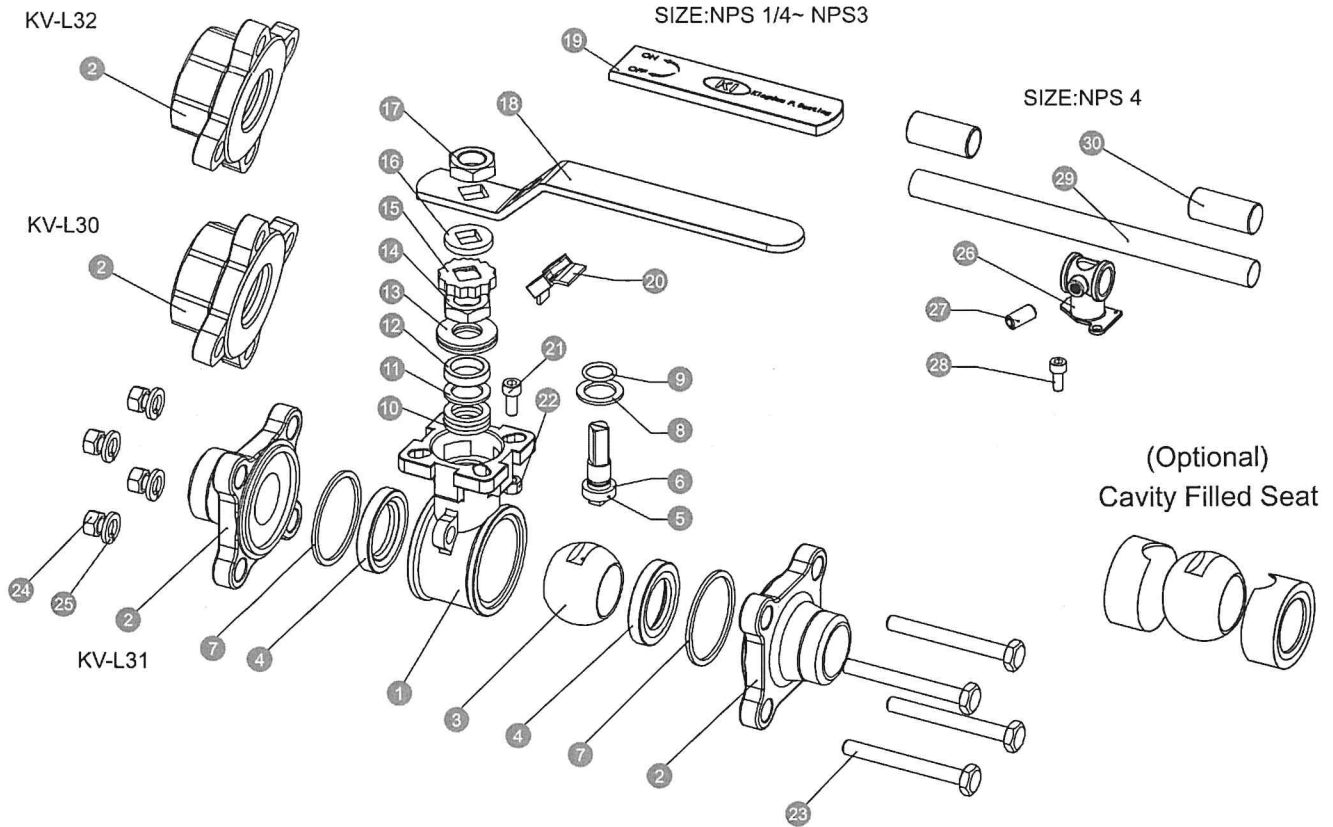
NPS	DN	d	L	LB	LE	H	H1	W	B1	B2	B3	L1	P	M	E1	E2	U1	U2	HEX.B	ISO 5211
1/4	8	10.6	75	70	225	42	72	147	14.2	9.3	18	10.0	9	9	36	42	6	6	28	F03-F04
3/8	10	12.7	75	70	225	42	72	147	17.8	12.5	18	10.0	9	9	36	42	6	6	28	F03-F04
1/2	15	15	75	75	225	42	72	147	21.8	15.8	22	10.0	9	9	36	42	6	6	28	F03-F04
3/4	20	20	80	90	225	48.5	79	147	27.3	20.9	28	13.0	9	9	36	50	6	7	34.5	F03-F05
1	25	25	90	100	245	58.5	89	177	34.0	26.7	34	13.0	11	11	42	50	6	7	42	F04-F05
1 1/4	32	32	110	110	255	63	93	177	42.8	35.1	43	16.0	11	11	42	70	6	9	52	F04-F07
1 1/2	40	38	120	125	260	71.3	103	197	48.9	40.9	50	16.0	14	14	50	70	7	9	58.5	F05-F07
2	50	50	140	150	275	78.2	110	197	61.4	52.5	61	17.0	14	14	50	70	7	9	71.5	F05-F07
2 1/2	65	63.5	185	190	330	100	150	267	74.0	62.7	76	17.0	17	17	70	102	9	11	86.5	F07-F10
3	80	76	205	220	356	108.5	159	267	90.0	78.0	92	17.0	17	17	70	102	9	11	101	F07-F10
4	100	100	240	270	432	140	212	400	115.5	102.4	115	20.0	22	22	—	102	—	11	132	F10

Unit : inch

NPS	DN	d	L	LB	LE	H	H1	W	B1	B2	B3	L1	P	M	E1	E2	U1	U2	HEX.B	ISO 5211
1/4	8	0.42	2.95	2.76	8.86	1.65	2.83	5.79	0.55	0.37	0.71	0.39	0.354	0.28	1.42	1.65	0.24	0.24	1.10	F03-F04
3/8	10	0.50	2.95	2.76	8.86	1.65	2.83	5.79	0.70	0.49	0.71	0.39	0.354	0.28	1.42	1.65	0.24	0.24	1.10	F03-F04
1/2	15	0.59	2.95	2.95	8.86	1.65	2.83	5.79	0.86	0.62	0.87	0.39	0.354	0.28	1.42	1.65	0.24	0.24	1.10	F03-F04
3/4	20	0.79	3.15	3.54	8.86	1.91	3.11	5.79	1.07	0.82	1.10	0.51	0.354	0.35	1.42	1.97	0.24	0.28	1.36	F03-F05
1	25	0.98	3.54	3.94	9.65	2.30	3.50	6.97	1.34	1.05	1.34	0.51	0.433	0.43	1.65	1.97	0.24	0.28	1.65	F04-F05
1 1/4	32	1.26	4.33	4.33	10.04	2.48	3.66	6.97	1.69	1.38	1.69	0.63	0.433	0.43	1.65	2.76	0.24	0.35	2.05	F04-F07
1 1/2	40	1.50	4.72	4.92	10.24	2.81	4.06	7.76	1.93	1.61	1.97	0.63	0.551	0.55	1.97	2.76	0.28	0.35	2.30	F05-F07
2	50	1.97	5.51	5.91	10.83	3.08	4.33	7.76	2.42	2.07	2.40	0.67	0.551	0.55	1.97	2.76	0.28	0.35	2.81	F05-F07
2 1/2	65	2.50	7.28	7.48	12.99	3.94	5.91	10.5	2.91	2.47	2.99	0.67	0.669	0.67	2.76	4.02	0.35	0.43	3.41	F07-F10
3	80	2.99	8.07	8.66	14.02	4.27	6.26	10.5	3.54	3.07	3.62	0.67	0.669	0.67	2.76	4.02	0.35	0.43	3.98	F07-F10
4	100	3.94	9.45	10.63	17.01	5.51	8.35	15.9	4.55	4.03	4.53	0.79	0.866	0.87	—	4.02	—	0.43	5.20	F10

*M3 Face to Face dimensions are available

*For valves with butt weld ends per DIN11850 series 2 or ISO1127, the pressure rating will be 400 WOG.



MATERIAL OF CONSTRUCTION

NO.	PART NAME	MATERIALS		
		CF8M(1.4408)	CF8(1.4308)	WCB(1.0619)
1	Body	CF8M(1.4408)	CF8(1.4308)	WCB(1.0619)
2	End Cap (Thread)	CF8M(1.4408)	CF8(1.4308)	WCB(1.0619)
	End Cap (BW/SW)	CF3M(1.4409)	CF8(1.4308)	WCB(1.0619)
3	Ball	316		304
4	Ball Seat		TFM1600 / PTFE/TFM4215	
5	Stem	316		304
6	Anti-Static	316		304
7	Body Gasket		PTFE / TFM1600	
8	Thrust washer		PTFE / TFM1600 / RTFE	
9	O-Ring		FKM	
10	Packing		PTFE / GRAPHITE*	
11	Bushing		50%SS+50%PTFE / 304	
12	Gland		316	
13	Belleville Washer		301	
14	Stem Nut		A194-8	
15	Stop-lock-Cap		304	
16	Handle Gland		304	
17	Handle Nut (NPS ^{1/4} -NPS3)		A194-8	
18	Handle (NPS ^{1/4} -NPS3)		304	
19	Handle Sleeve (NPS ^{1/4} -NPS3)		VINYL PLASTIC	
20	Lock Device (NPS ^{1/4} -NPS3)		304	
21	Stop Bolt		A2-70	
22	Stop Nut		A2-70	
23	Bolting		A193-B8 / A2-70	
24	Bolt Nut		A194-8 / A2-70	
25	Bolt Washer		304	
26	Handle Adapter (NPS4)		A351-CF8	
27	Set Screw (NPS4)		A2-70	
28	Bolting (NPS4)		A2-70	
29	Pipe Handle (NPS4)		A53+PLATED Zn	
30	Handle Sleeve (NPS4)		VINYL PLASTIC	