

GENERAL CHARACTERISTICS

The level probes SLC series have the built-in management electronics and do not require auxiliary circuits to control alarms and / or actuators.

The probes, being of a static type, without moving parts, allow an extremely precise control of the level of liquid.

The system is based on measurement of the conductivity of the liquid to be controlled and works with low potential and with alternating currents, in order to avoid the incrustation of the electrodes and / or perforation of the tank normally caused by the use of direct currents, which cause a galvanic action on materials. The contact of the electrode with the liquid under control determines the actuation of a relay inside the control unit.

- AISI-316 Stainless steel electrodes
- Built-in electronics
- Relay output



SLC .. 10



SLC .. 50

TECHNICAL DATA

Tab.1

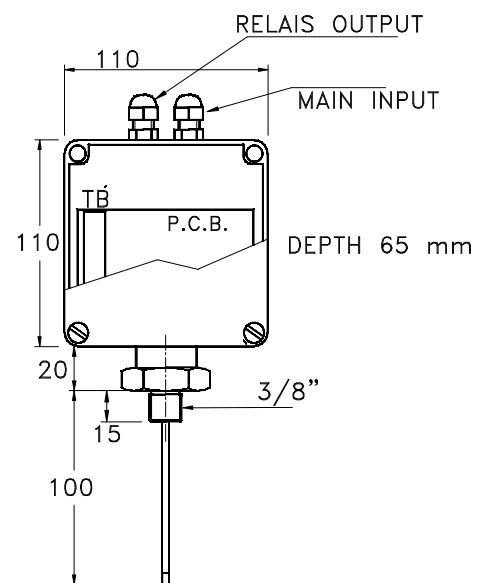
Description	Features	Code	Options	Code
Power supply	24 / 230 Vac $\pm 10\%$ 50/60 Hz	24-230V	110 Vac	110V
Power consumption	5 VA			
Power supply to probes	22 Vac	-	-	-
Output relay	SPDT 250Vac 6A			
Sensitivity	10 –60 μ S Factory set 20 μ S	10-60MS	1-10 μ S	1-10MS
Sensitivity adjustment	Internal trimmer			
Operating temperature	-20 \div +50 $^{\circ}$ C	-		
Max. pressure	6 bar			
Housing	ABS 110 x 110 x 65 mm	SLC—10		
	ABS 160 x 118 x 75 mm	SLC—50		
Degree of protection	IP 65	SLC—10		IP65
	IP 56	SLC—50		IP56
Mounting	On board			
Electrical connection	Internal terminal board	-		
Cables input	PG7			

ELECTRA SLC--10

WIRING

Terminal			
1	Ground		
3	Electrode		
5	Output relay	N.O.	
6		Common	
7		N.C.	
8	Power supply	230	Vac
9		24	
10		0	
Option			
8	Power supply	110	Vac
10		0	

DIMENSIONS - mm.



MATERIALS

Tab.2

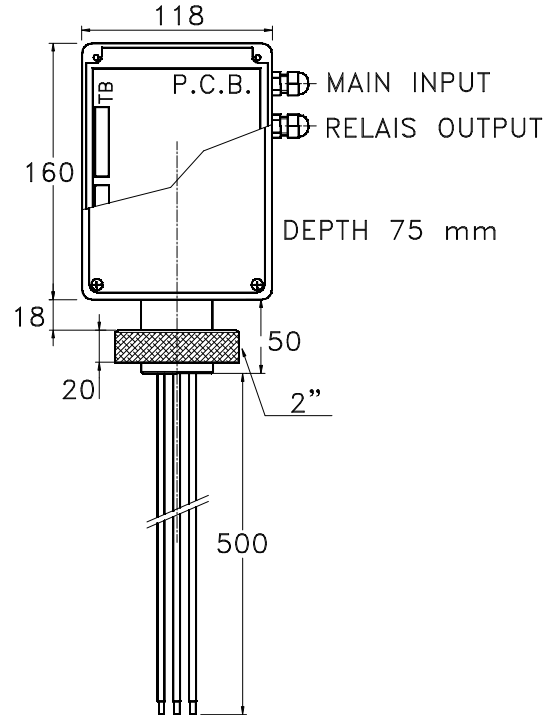
Electrodes		Code	Options	Code
N. 1 x L 100 mm	AISI 316	1x0100	Length L	...
Coating	Polyolefin	VL	Kynar	K
Process connection		Code	Options	Code
Dimension	3/8"	10	1/2"	15
Male thread	UNI 228/1	G	UNI 7/1	C
Material	Brass	O	AISI-316	S
			Polypropylene	P

ELECTRA SLC-50

WIRING

Terminal			
2	Minimum level electrode		
3	Maximum level electrode		
5	Output relay Auto fill-up section	N.O.	
6		Common	
7		N.C.	
11	Ground electrode		
13	Alarm electrode (min o max)		
15	Output relay Alarm section	N.O.	
16		Common	
17		N.C.	
18	Power supply	230	Vac
19		24	
20		0	
Option			
18	Power supply	110	Vac
20		0	

DIMENSIONS - mm.



MATERIALS

Tab.3

Electrodes		Code	Options	Code
N. 4 x L 500 mm	AISI 316	4x0500	Length L
Coating	Polyolefin	VL	Kynar	K

Process connection		Code	Options	Code
Dimension	2"	50	-	-
Female thread	UNI 228/1	G	-	-
Material	Polypropylene	P	Brass	O
			AISI-316	S

CONTROL AND ADJUSTMENT

• ELECTRA SLC-10

Control.

Open the case, remove the leads from the terminals of the electrodes, terminals 1 and 3.

Short circuit the terminals 1 and 3 of the terminal board, in these conditions, the relay must switch on and led has to light.

Sensitivity adjustment.

The unit is supplied with a factory setting of 20 μ S.

Install the control unit on the tank you have to control the level (The fitting acts as a ground electrode).

Fill-up the tank to place the electrode in the liquid to be tested, turn the trimmer on the PCB to obtain the switching of the relay.

• ELECTRA SLC-50

Control.

Open the case, remove the leads from the terminals of the electrodes (terminals 2 - 3 - 11 - 13).

Short circuit terminals 11 and 13 of the terminal board, in these conditions, the red led has to light and the corresponding relay must switch on.

Short circuit terminals 3 and 11 of the terminal board, in these conditions, the green led has to light and the corresponding relay must switch on.

Sensitivity adjustment.

The unit is supplied with a factory setting of 20 μ S.

Submerge the electrodes in the liquid to be tested, turn the trimmer on the printed circuit board until the red led light-on and the corresponding relay switch-on.

The calibration of the sensitivity for the alarm section also applies to the auto-fill section.

NOMENCLATURE

SLC	10GO	10-60MS	1x0100	VL	IP65	24-230V
•						
	•					
		•				
			•			
				•		
					•	
						•

	Name, type
Tab.2-3	Process connection, dimension, thread, material
Tab.1	Sensitivity of the system
Tab.2-3	Number and electrodes length (mm)
Tab.2-3	Electrodes coating
Tab.1	Degree of protection
Tab.1	Power supply