



# ENAPART



93 S Railroad Avenue Unit C  
Bergenfield NJ 07621 USA  
[www.enapart.com](http://www.enapart.com)  
[sales@enapart.com](mailto:sales@enapart.com)



Via del Canneto 35,  
Borgosatollo, Brescia - Italia  
[www.enapart.it](http://www.enapart.it)  
[vendite@enapart.it](mailto:vendite@enapart.it)



Barbaros Mah. Ihlamur Bul. Aĝaoĝlu  
My Newwork No:3/15 Ataşehir / İstanbul  
[www.enapart.net](http://www.enapart.net)  
[satis@enapart.net](mailto:satis@enapart.net)



PRIVADA 10 B SUR #3908 COL.  
ANZUREZ, C.P. 72530, PUEBLA, PUE  
[www.enapart.com.mx](http://www.enapart.com.mx)  
[sales@enapart.com.mx](mailto:sales@enapart.com.mx)



Friedrich-Ebert-Anlage 36, 60325  
Frankfurt am Main, Germany  
[www.enapart.de](http://www.enapart.de)  
[anfrage@enapart.de](mailto:anfrage@enapart.de)



4 boulevard Carnot, 95400  
villiers-le-bel, Paris, France  
[www.enapart.fr](http://www.enapart.fr)  
[sales@enapart.fr](mailto:sales@enapart.fr)



65049, ОДЕСА, ВУЛИЦЯ ІВАНА  
ФРАНКА, БУДИНОК 55, ПОВЕРХ 3  
[www.enapart.com.ua](http://www.enapart.com.ua)  
[sales@enapart.com.ua](mailto:sales@enapart.com.ua)



MUNICIPIUL BUCUREȘTI, SECTOR 3,  
B-DUL BASARABIA, NR.250, CORP P+5  
[www.enapart.ro](http://www.enapart.ro)  
[sales@enapart.ro](mailto:sales@enapart.ro)



〒584-0023 大阪府富田林市若松町  
東2丁目2番16号  
[www.enapart.co.jp](http://www.enapart.co.jp)  
[sales@enapart.co.jp](mailto:sales@enapart.co.jp)



PLAZA NUESTRA SEÑORA DE LAS  
NIEVES 12 ,LOCAL ,50012,ZARAGOZA  
[www.enapart.es](http://www.enapart.es)  
[ventas@enapart.es](mailto:ventas@enapart.es)



Складова база „Онгъл“, Склад А2, п.к.  
4006, гр. Пловдив, България  
[www.enapart.bg](http://www.enapart.bg)  
[sales@enapart.bg](mailto:sales@enapart.bg)



3 Austin Mews, High Street, Hemel  
Hempstead, HP1 3AF , United Kingdom  
[www.enapart.co.uk](http://www.enapart.co.uk)  
[sales@enapart.co.uk](mailto:sales@enapart.co.uk)

## Art. "C" - SHUTTLE VALVE WITH RIGHT-ANGLE CONNECTION



### DESCRIPTION

Valve with flat shutter closing.

SEAL: NBR or FPM.

The direction of the fluid through the valve makes a deviation of 90° allowing the solution of many problems of plants. Perfect airtight.

Connections with inner GAS ISO 228 thread female-female.

Control air 1/8" GAS connections.

### ALLOWABLE TEMPERATURES

Operating temperature:

Seal in NBR: from -20°C to +100°C

Seal in FPM: from -15°C to +100°C

**ACTUATOR PILOT PRESSURE:** Max. 8 bar.

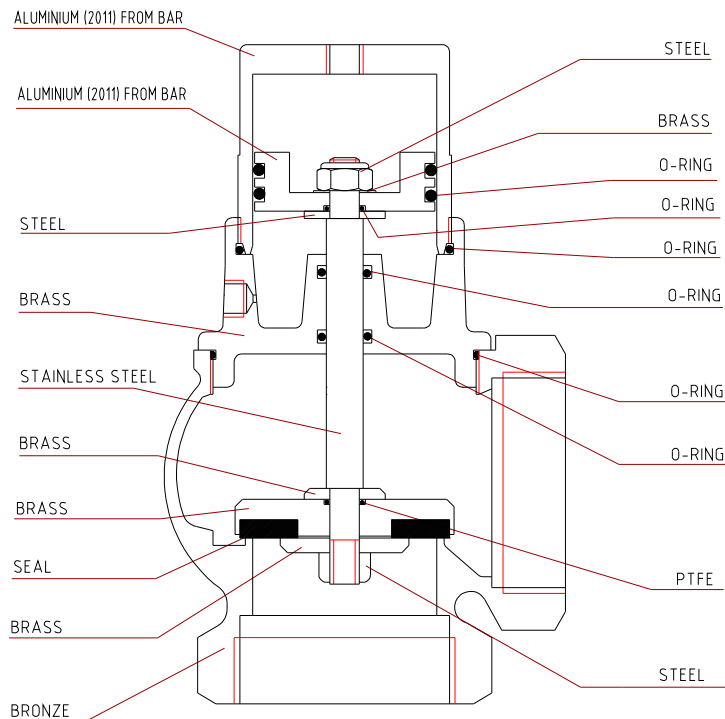
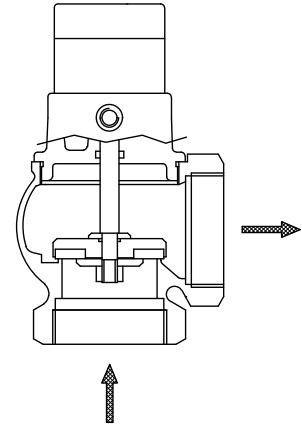
### VERSIONS AND SIZES

DA: 1"1/4 - 2" - 3"

**ANODIZING TREATMENT ON OUTSIDE DETAILS  
MADE IN ALUMINIUM**

It is **not subject** to the "Water Hammer" if the fluid pass through the valve in the direction of the arrow printed on the body (under the actuator).

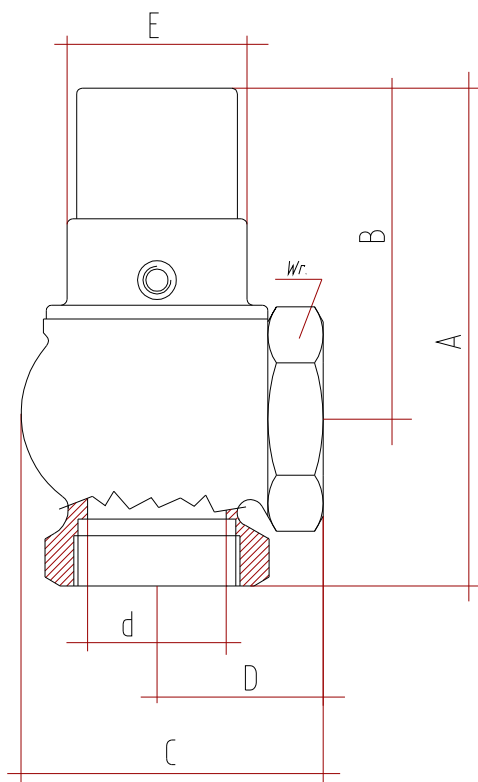
With these conditions the tightness is guaranteed up to the pressures shown in the Differential Pressure Chart.



Art. "C"

DIFFERENTIAL PRESSURE CHART

G	PILOT PRESS.	DeltaP bar
1"1/4	4	7
"	5	9
"	6	10.5
2"	4	4
"	5	5
"	6	6
3"	4	2.5
"	5	3
"	6	3.5



OVERALL DIMENSIONS

DN	G	A	B	C	D	E	d	Wrench	Kv	Weight
mm.		mm.	mm.	mm.	mm.	mm.	mm.	mm.	m3/h	gr.
32	1"1/4	155	105	82	50	65	32	50	30	1700
50	2"	178	118	107	60	65	50	70	55	2650
80	3"	254	168	155	86	79	78	100	135	5200