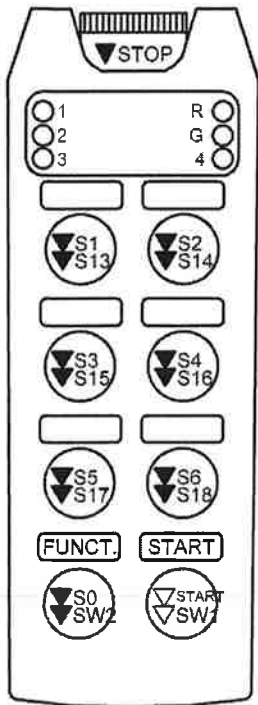
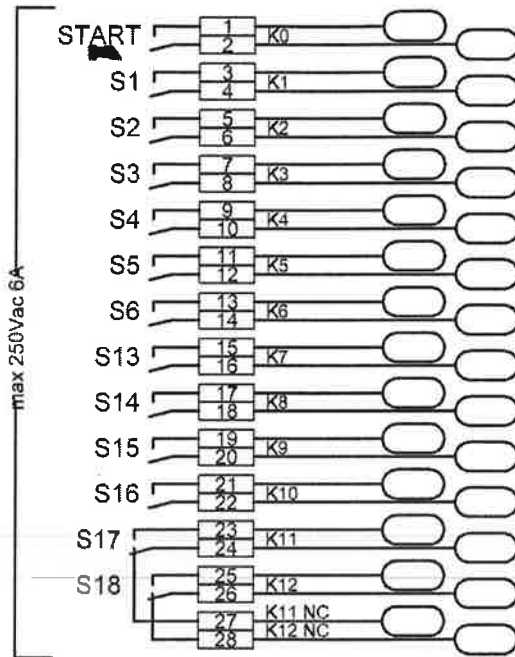


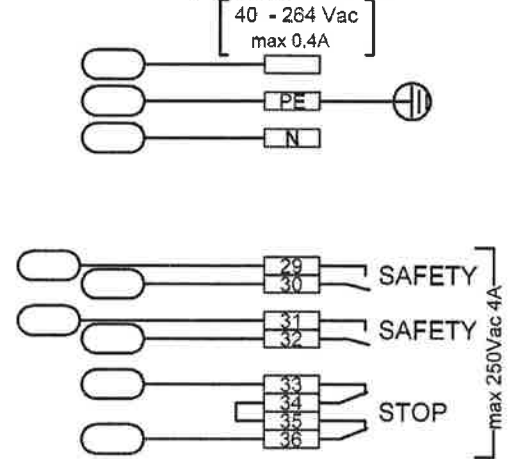
Air A8



AirLB12AC



POWER SUPPLY



FACTORY SETTINGS

FUNCTION	<input checked="" type="checkbox"/> P1	<input type="checkbox"/> P2A <input type="checkbox"/> P2B	<input type="checkbox"/> P3	<input type="checkbox"/> P4
	K11=ENA K12=S0 momentary	K11=ENA K12=S0 latched	K11 / K12 S0 sel. 1/2	K11 / K12 S0 sel.1+2/1/2
PAIR	<input type="checkbox"/> 1.0	<input checked="" type="checkbox"/> 2.0	<input type="checkbox"/> 2.1	
PIN Start UP	<input checked="" type="checkbox"/> ENABLE <input type="checkbox"/> DISABLE			
PIN CODE	1 START	2 S0	3 START	
Switch-OFF	<input type="checkbox"/> OFF <input type="checkbox"/> 2' <input checked="" type="checkbox"/> 5' <input type="checkbox"/> 10'			
RF Power	<input type="checkbox"/> Low <input checked="" type="checkbox"/> Norm. <input type="checkbox"/> High <input type="checkbox"/> Max			
Range limiting	<input checked="" type="checkbox"/> OFF <input type="checkbox"/> Area1 <input type="checkbox"/> Area2 <input type="checkbox"/> Area3			
Low pwr start-up	<input checked="" type="checkbox"/> OFF <input type="checkbox"/> Sect.1 <input type="checkbox"/> Sect.2 <input type="checkbox"/> Sect.3			
Clear Ch. Level	<input checked="" type="checkbox"/> Norm. <input type="checkbox"/> High <input type="checkbox"/> None			
Receiver antenna	<input type="checkbox"/> ENABLE <input checked="" type="checkbox"/> DISABLE			
Dip switch	Transmitting Unit		Receiving Unit	
1 2	1 2	1 2	1 2	
<input type="checkbox"/> ON	915-928Mhz	Reserved	915-928Mhz	MSC
<input type="checkbox"/> OFF	433-434Mhz	Reserved	433-434Mhz	Disable
Radio mode	<input checked="" type="checkbox"/> AUTO <input type="checkbox"/> MANUAL			
Bank Group	<input checked="" type="checkbox"/> 0 <input type="checkbox"/> 1 <input type="checkbox"/> 2 <input type="checkbox"/> 3 <input type="checkbox"/> 4 <input type="checkbox"/> 5 <input type="checkbox"/> 6 <input type="checkbox"/> 7			
Channel Bank	<input checked="" type="checkbox"/> 0 <input type="checkbox"/> 1 <input type="checkbox"/> 2 <input type="checkbox"/> 3			
Logic Channel	<input checked="" type="checkbox"/> 0 <input type="checkbox"/> 1 <input type="checkbox"/> 2 <input type="checkbox"/> 3 <input type="checkbox"/> 4 <input type="checkbox"/> 5 <input type="checkbox"/> 6 <input type="checkbox"/> 7			
Button delay	<input checked="" type="checkbox"/> OFF <input type="checkbox"/> 0.5S <input type="checkbox"/> 1S <input type="checkbox"/> 1.5S			
All latched relay	<input type="checkbox"/> ENABLE <input checked="" type="checkbox"/> DISABLE			
Data Log Manag.	<input type="checkbox"/> ON <input checked="" type="checkbox"/> OFF			
Service Control	<input checked="" type="checkbox"/> ON <input type="checkbox"/> OFF			
CANopen	<input type="checkbox"/> ON <input checked="" type="checkbox"/> OFF			
Output configurations	<input checked="" type="checkbox"/> ENABLE <input type="checkbox"/> DISABLE			
	Programming file: LD00028-**.par			

INSTALLER SETTINGS

FUNCTION	<input type="checkbox"/> P1	<input type="checkbox"/> P2A <input type="checkbox"/> P2B	<input type="checkbox"/> P3	<input type="checkbox"/> P4
	K11=ENA K12=S0 momentary	K11=ENA K12=S0 latched	K11 / K12 S0 sel. 1/2	K11 / K12 S0 sel.1+2/1/2
PIN Start UP	<input type="checkbox"/> ENABLE <input type="checkbox"/> DISABLE			
PIN CODE	1	2	3	
Switch-OFF	<input type="checkbox"/> OFF <input type="checkbox"/> 2' <input type="checkbox"/> 5' <input type="checkbox"/> 10'			
RF Power	<input type="checkbox"/> Low <input type="checkbox"/> Norm. <input type="checkbox"/> High <input type="checkbox"/> Max			
Range limiting	<input type="checkbox"/> OFF <input type="checkbox"/> Area1 <input type="checkbox"/> Area2 <input type="checkbox"/> Area3			
Low pwr start-up	<input type="checkbox"/> OFF <input type="checkbox"/> Sect.1 <input type="checkbox"/> Sect.2 <input type="checkbox"/> Sect.3			
Clear Ch. Level	<input type="checkbox"/> Norm. <input type="checkbox"/> High <input type="checkbox"/> None			
Receiver antenna	<input type="checkbox"/> ENABLE <input type="checkbox"/> DISABLE			
Dip switch	Transmitting Unit		Receiving Unit	
1 2	1 2	1 2	1 2	
<input type="checkbox"/> ON	915-928Mhz	Reserved	915-928Mhz	MSC
<input type="checkbox"/> OFF	433-434Mhz	Reserved	433-434Mhz	Disable
Radio mode	<input type="checkbox"/> AUTO <input type="checkbox"/> MANUAL			
Bank Group	<input type="checkbox"/> 0 <input type="checkbox"/> 1 <input type="checkbox"/> 2 <input type="checkbox"/> 3 <input type="checkbox"/> 4 <input type="checkbox"/> 5 <input type="checkbox"/> 6 <input type="checkbox"/> 7			
Channel Bank	<input type="checkbox"/> 0 <input type="checkbox"/> 1 <input type="checkbox"/> 2 <input type="checkbox"/> 3			
Logic Channel	<input type="checkbox"/> 0 <input type="checkbox"/> 1 <input type="checkbox"/> 2 <input type="checkbox"/> 3 <input type="checkbox"/> 4 <input type="checkbox"/> 5 <input type="checkbox"/> 6 <input type="checkbox"/> 7			
Button delay	<input type="checkbox"/> OFF <input type="checkbox"/> 0.5S <input type="checkbox"/> 1S <input type="checkbox"/> 1.5S			
All latched relay	<input type="checkbox"/> ENABLE <input type="checkbox"/> DISABLE			

COMMAND ▼ STOP ⁽¹⁾ ▼ COMMAND + SAFETY ⁽²⁾

(1) STOP function CAT.3; up to PLd depending on stop output wiring
(2) UMFS function CAT.2; up to PLc depending on safety output wiring