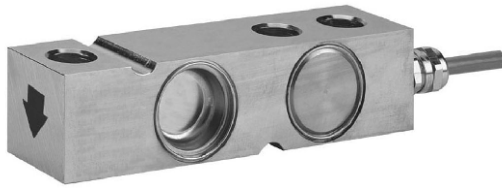


## Stainless Steel Shear Beam Load Cell



### FEATURES

- Capacities 300 - 5000kg, 1000 - 5000lbs
- Stainless steel construction
- OIML R60 and NTEP approved
- Hermetically sealed to IP68
- Specially designed for harsh environment

### OPTIONAL FEATURES

- EEx ia IIC T6 hazardous area approval
- FM approval available
- 1100Ω impedance available

### DESCRIPTION

Model 3510 provides the weighing industry with the ultimate protection necessary for today's hostile environments in an economical low profile range suitable for platform scale manufacture.

Its low profile and all welded sealing combined with high accuracy makes this load cell ideally suited for low profile platforms, pallet truck weighers, tanks and silos. The guide slots incorporated into the upper and lower mounting faces enable manufacturers to easily position the load cell.

Hermetically sealed against moisture, the construction of the model 3510 in combination with a polyurethane dual shielded cable, enables continuous operation in harsh environments while maintaining a high operating specification.

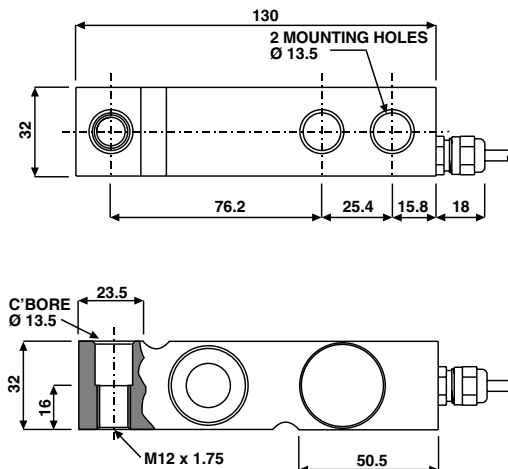
The two additional sense wires feed back the voltage reaching the load cell. Complete compensation of changes in lead resistance due to temperature change and/or cable extension, is achieved by feeding this voltage into the appropriate electronics.

### APPLICATIONS

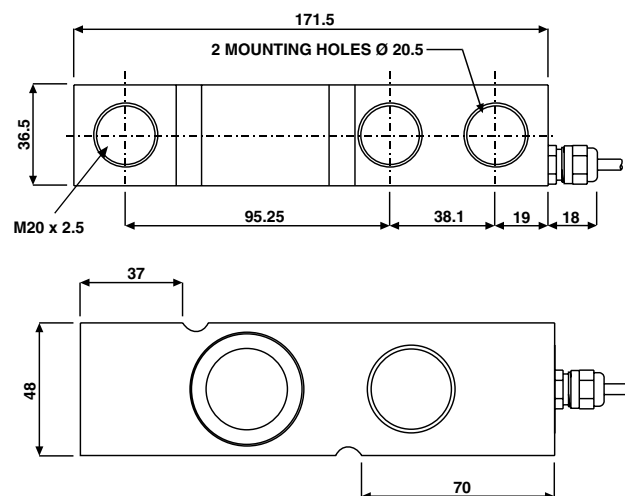
- Low profile platforms
- Pallet truck weighing
- Tank and silo weighing
- Harsh environment weighing
- Food industry weighing

### OUTLINE DIMENSIONS in millimeters

#### DIMENSIONS FOR CAPACITIES 300, 500, 1000 & 2000kg



#### DIMENSIONS FOR CAPACITY 3000 & 5000kg



Standard end loading shown.

Options include:

- 'Through-hole' - plain or threaded.
  - 'T-End' - supplied current and voltage matched for platforms.
- Imperial capacities can be manufactured with M12 or 1/2"-20 UNC threading

# Model 3510

Vishay Tedea-Huntleigh

Stainless Steel Shear Beam Load Cell



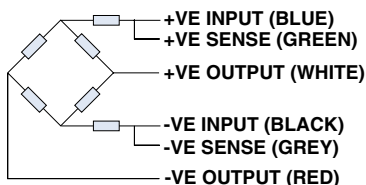
## SPECIFICATIONS

PARAMETER	VALUE				UNIT
Rated capacity-R.C. ( $E_{max}$ )	300, 500, 750, 1000, 1200, 2000, 3000, 5000				kg
Rated capacity-R.C. ( $E_{max}$ )	1000, 1500, 2500, 4000				lbs
NTEP/OIML Accuracy class	NTEP	Non-Approved	C3	C6	
Maximum no. of intervals (n)	3000 single 5000 multiple	1000	3000*	6000**	
$Y = E_{max}/V_{min}$	12500	4000	12000	15000	Maximum available
Rated output-R.O.	2.0 for kg and 3.0 for lbs				mV/V
Rated output tolerance	0.1				±% of rated output
Zero balance	2				±% of rated output
Zero Return, 30 min.	0.0250	0.0300	0.0170	0.0083	±% of applied load
Total Error	0.0200	0.0500	0.0200	0.0100	±% of rated output
Temperature effect on zero	0.0023	0.0100	0.0023	0.0024	±% of rated output/°C
Temperature effect on output	0.0010	0.0030	0.0010	0.00058	±% of applied load/°C
Temperature range, compensated	-10 to +40				°C
Temperature range, safe	-20 to +70				°C
Maximum safe central overload	150				% of R.C.
Ultimate central overload	300				% of R.C.
Excitation, recommended	10				Vdc or Vac rms
Excitation, maximum	15				Vdc or Vac rms
Input impedance	380±10				Ohm
Output impedance	350±3				Ohm
Insulation resistance	>2000				Mega-Ohm
Cable length	5				m
Cable type	6 wire, braided, Polyurethane, dual floating screen				Standard
Construction	Stainless steel				
Environmental protection	IP68				
Recommended torque	136.0 (3000 & 5000kg - 205.0)				N*m

\* 50% utilization

\*\* Capacities 300-1200kg, and 1000-2500lbs only

Wiring schematic diagram



## VISHAY TRANSDUCERS (VT) SALES OFFICES

**VT Americas**  
City of Industry, CA  
PH: +1-626-858-8899  
FAX: +1-626-332-3418  
vt.us@vishaymg.com

**VT Netherlands**  
Breda  
PH: +31-76-548-0700  
FAX: +31-76-541-2854  
vt.nl@vishaymg.com

**VMG UK**  
Basingstoke  
PH: +44-125-646-2131  
FAX: +44-125-647-1441  
vt.uk@vishaymg.com

**VMG Israel**  
Netanya  
PH: +972-9-863-8888  
FAX: +972-9-863-8800  
vt.il@vishaymg.com

**VMG Germany**  
Heilbronn  
PH: +49-7131-3901-260  
FAX: +49-7131-3901-2666  
vt.de@vishaymg.com

**VT China**  
Tianjin  
PH: +86-22-2835-3503  
FAX: +86-22-2835-7261  
vt.prc@vishaymg.com

**VMG France**  
Chartres  
PH: +33-2-37-33-31-20  
FAX: +33-2-37-33-31-29  
vt.fr@vishaymg.com

**VT Taiwan\***  
Taipei  
PH: +886-2-2696-0168  
FAX: +886-2-2696-4965  
vt.roc@vishaymg.com  
\*Asia except China



## Notice

Specifications of the products displayed herein are subject to change without notice. Vishay Intertechnology, Inc., or anyone on its behalf, assumes no responsibility or liability for any errors or inaccuracies.

Information contained herein is intended to provide a product description only. No license, express or implied, by estoppel or otherwise, to any intellectual property rights is granted by this document. Except as provided in Vishay's terms and conditions of sale for such products, Vishay assumes no liability whatsoever, and disclaims any express or implied warranty, relating to sale and/or use of Vishay products including liability or warranties relating to fitness for a particular purpose, merchantability, or infringement of any patent, copyright, or other intellectual property right.

The products shown herein are not designed for use in medical, life-saving, or life-sustaining applications. Customers using or selling these products for use in such applications do so at their own risk and agree to fully indemnify Vishay for any damages resulting from such improper use or sale.