



## Resistance thermometers WTh 27



### Benefits

- Suitable for use in mechanical engineering, plant engineering, process engineering chemical industry
- Resistance thermometer with Pt100 sensor
- Flange connection
- Wetted parts 316 Ti

### Application

Flange-type resistance thermometer for medium pressure and flow loads

### Technical specifications

#### Sensor

1 x Pt100  
3-wire  
Class B, IEC 751

#### Measuring insert

Replaceable  
Diameter: 6 mm

#### Thermowell

∅ 11 x 2 mm  
Stainless steel 316 Ti

#### Neck

∅ 11 x 2 mm  
Length: 120 mm  
Stainless steel 316 Ti

#### Process connection

Flange as per  
EN 1092-1 type B 1  
Stainless steel 316 Ti  
Nominal diameter: DN 20  
Nominal pressure: PN 40

#### Installation length

100, 160, 250, 400 mm

#### Connection head

Type B As per DIN 43729  
Aluminium die cast

#### Electrical connection

Cable gland

#### Degree of protection

IP 54 (EN 60529)

#### Measuring range

-35/+400 °C

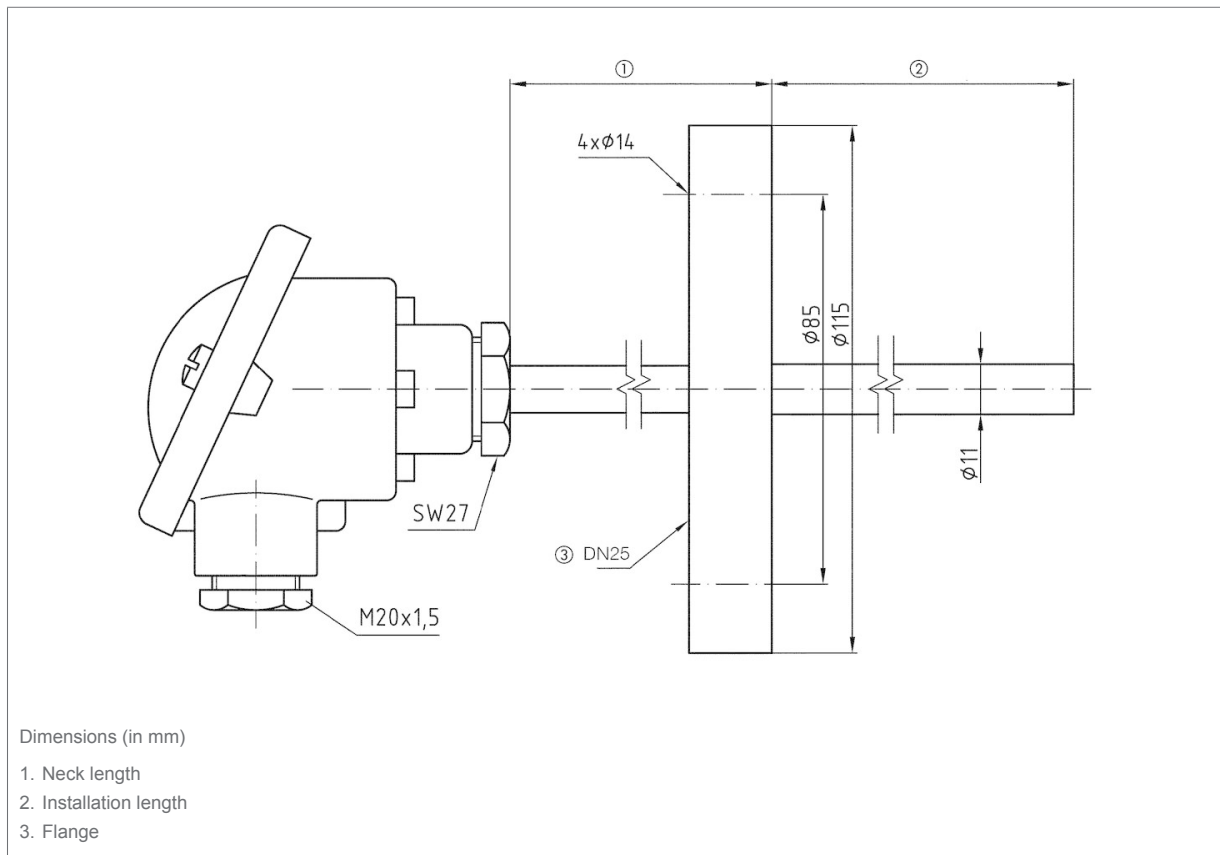


## Options

- Sensor class A
- Reduced measuring tip (6 mm)
- Transmitter installation
- Other thermowell materials
- Other process connections
- Other installation lengths
- Other connection heads

## Detail views

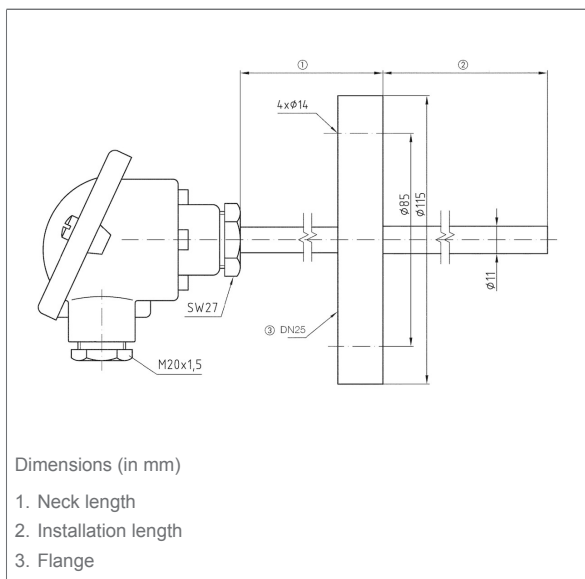
### Type WTh 27





## Technical drawings

### Type WTh 27



## Versions

	Installation length	Part no.
Resistance thermometers WTh 27	100 mm	32260
Resistance thermometers WTh 27	160 mm	32261
Resistance thermometers WTh 27	250 mm	32262
Resistance thermometers WTh 27	400 mm	32263

Blue part no. = in-stock items