

# Fluid control valve(2/2 way)

## 2KS Series (Direct-acting and normally opened)



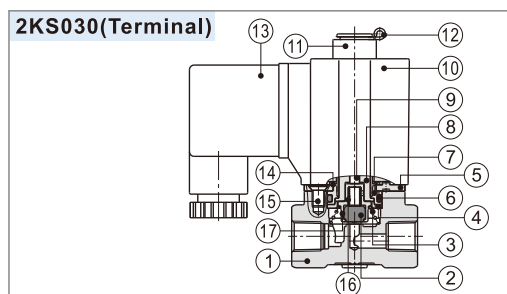
### Symbol



### Product feature

1. Direct acting and normally opened type 2/2 way solenoid valve. Its high sensibility allows it to change direction quickly;
2. It has wide pressure range, including extra high pressure (X), high pressure (H), standard and large volume(L) to choose from;
3. It is compact, small size and light weight. It is easy to install and dismantle.
4. The valve body is made of SUS304 . Its coil has a Heat resistance classification of Class B. The standard seal material is FPM-F. Please contact us if other material are required.
5. The protection class of the coil is IP65 and there is a choice for grommet or terminal electrical entry .

### Inner structure



No.	Item	No.	Item
1	Body	10	Coil assembly
2	Airtight ring	11	Position ring
3	Spring	12	E Clip
4	Bead flange	13	Connector
5	Fixed plate	14	Washer
6	O-ring	15	Screw
7	Fixed cap	16	Spring
8	Electromagnet	17	Airtight bush
9	Mandril		

### Specification

Model/Item	Port size [Note1]	Orifice size (Φmm)	Cv	Valid area or section (mm <sup>2</sup> )	Weight [Note2](g)	Max.operating pressure differential		Proof pressure	
						MPa	psi	MPa	psi
2KSX030	-06 1/8"	1.5	0.10	1.8	305	2.0	300	3.0	450
	-08 1/4"				295				
2KSH030	-06 1/8"	2.0	0.18	3.0	305	1.5	220		
	-08 1/4"				295				
2KS030	-06 1/8"	3.0	0.33	6.0	305	0.7	100		
	-08 1/4"				295				
2KSL030	-06 1/8"	4.0	0.55	10.0	305	0.4	60		
	-08 1/4"				295				
2KSX050	-10 3/8"	3.0	0.34	6.1	610	2.0	300		
	-15 1/2"				600				
2KSH050	-10 3/8"	4.0	0.55	10.0	610	1.5	220		
	-15 1/2"				600				
2KS050	-10 3/8"	5.0	0.83	15.0	610	0.7	100		
	-15 1/2"				600				
2KSL050	-10 3/8"	7.0	1.40	25.0	610	0.4	60		
	-15 1/2"				600				

[Note1] PT thread, G thread and NPT thread are available.

[Note2] The weight in the table is the terminal valve's weight, 2KS030 series grommet valve's weight is 10g less than terminal's. 2KS050series grommet valve's weight is 20g less than terminal's.

### Specification of coil

Valve type	Coil type	Power type	Frequency (Hz)	Voltage range	Electrical entry	Power Consumption (VA/W)	Insulation	Temp. rise(°C)	
2KS□030	CDA116 CLA116	AC	50	±15%	Terminal (CDA)	15.0VA	Class B	50	
			60			11.0VA		40	
2KS□050	CDA170 CLA170	DC	-	±10%		Grommet (CLA)		6.5W	30
			50					35.0VA	65
2KS□050	CDA170 CLA170	AC	60	±15%	Grommet (CLA)			30.0VA	60
			-					12.0W	40

### Valve's specification

Acting		Direct acting			
Initial state		Normally opened			
Adaptable fluid		Air, Water, Oil			
Viscosity limit		Under 20CST			
Ambient and fluid temperature ( °C )		Water	Air	Oil	Ambient
	Max.	80	90	80	70
	Min.	1	-20 [Note1]	-10 [Note2]	-20

[Note1] Dew point: -20(°C) or less ;

[Note2] 50CST or less.

### Ordering code

#### Ordering code of valves

2KS H 030 08 A □ □



①Model	②Pressure condition	③Size series	④Port size	⑤Voltage	⑥Electrical entry	⑦Thread type
2KS: 2/2 way direct-acting and normally opened	X: Extra high pressure H: High pressure Blank: Standard L: Large volume	030: 030 Series 050: 050 Series	06: 1/8" 08: 1/4" 10: 3/8" 15: 1/2"	A: AC220V B: DC24V C: AC110V E: AC24V F: DC12V	Blank: Terminal I: Grommet[Note]	Blank: PT G: G T: NPT

#### Ordering code of accessories

Ordering code of accessories is the same as 2S series valve's, Please refer to P181 for details of ordering code.

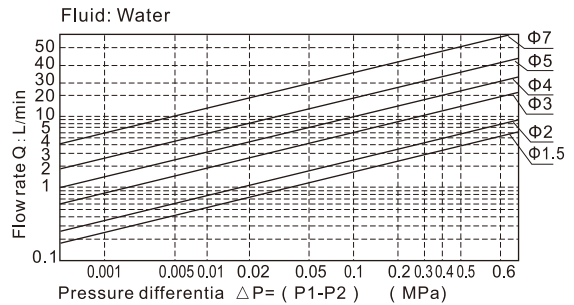
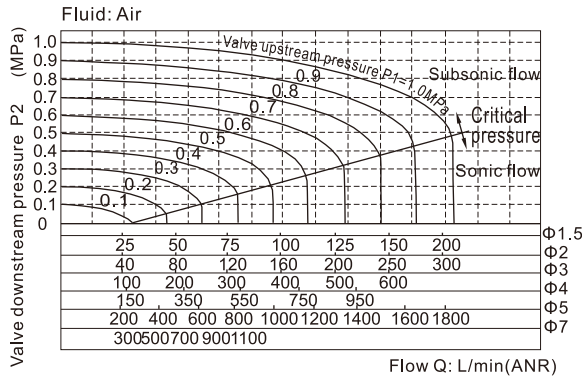
[Note] The wire length is 0.5m.



# Fluid control valve(2/2 way)

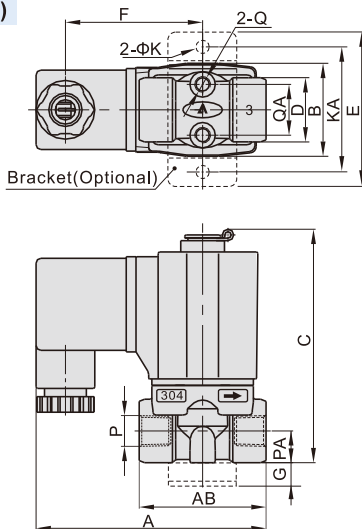
## 2KS Series (Direct-acting and normally opened)

### Flow chart

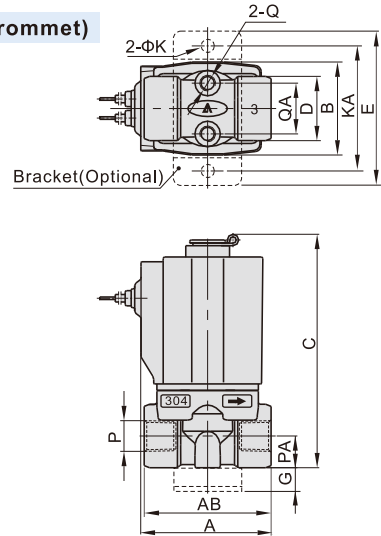


### Dimensions

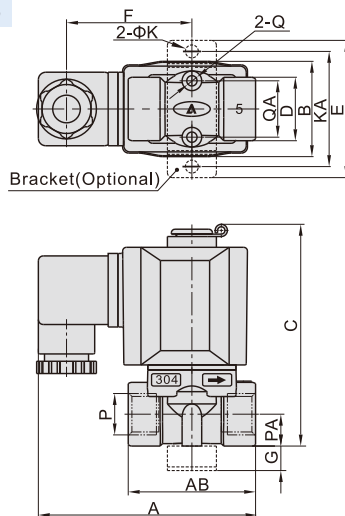
#### 2KS□030 (Terminal)



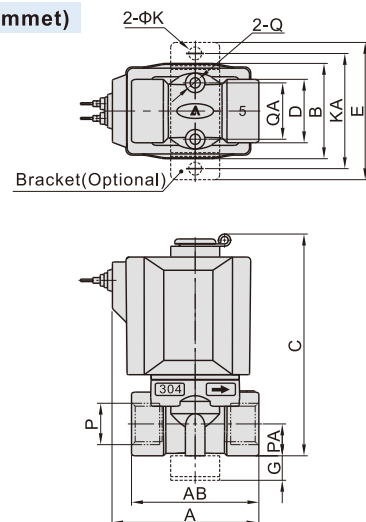
#### 2KS□030(Grommet)



#### 2KS□050 (Terminal)



#### 2KS□050(Grommet)



Model\Item	A	AB	B	C	D	E	F	G	K	KA	P	PA	Q	QA
2KS□030-06	72.5	40	29.5	76	20	49	43.5	10	5.3	40	1/8"	10	M5	16
2KS□030-08	72.5	40	29.5	76	20	49	43.5	10	5.3	40	1/4"	10	M5	16
2KS□050-10	89.5	52	39	92	26	56	51	10	5.3	48	3/8"	13	M5	23
2KS□050-15	89.5	52	39	92	26	56	51	10	5.3	48	1/2"	13	M5	23

Model\Item	A	AB	B	C	D	E	G	K	KA	P	PA	Q	QA
2KS□030-06	41	40	29.5	76	20	49	10	5.3	40	1/8"	10	M5	16
2KS□030-08	41	40	29.5	76	20	49	10	5.3	40	1/4"	10	M5	16
2KS□050-10	60	52	39	92	26	56	10	5.3	48	3/8"	13	M5	23
2KS□050-15	60	52	39	92	26	56	10	5.3	48	1/2"	13	M5	23