



EVI 30

30 mm Coil System

EVI 30/8 – EVI 30/9 – EVI 30/10

EVI 30

Coil System

The EVI 30 system by Amisco includes a wide range of 30mm coils, designed for pneumatic applications. This coil family is available for tubes with 8, 9 and 10mm diameter.

The coils are available with different voltages and connections: types, power and other features are described in the following pages.



All coils feature:

- heat resistant bobbin moulded with 30% glass filled thermoplastic polyester
- class H wire 200°C according to IEC 60317-13
- built-in magnetic yoke made by low carbon iron
- encapsulation with high quality specially designed glass filled nylon (thermoset material for EVI 30/9 M12 LED)
- copper and plastic material used are UL-Listed

The use of other materials is possible upon special agreements. Coils are rated to F class. The coil is designed and constructed in accordance to EN 60335 and VDE 0580 and it is suitable for industrial ambient conditions.

The coil is also in conformity with 2014/34/UE for electrical apparatus of Group II, category 3.

GAS: Ex ec IIC Tx Gc

DUST: Ex tc IIIC Tx Dc

Coil can be supplied and marked CSA/UL for Electrical Insulation System (EIS) "E300N", designated by Amisco as AMIH - UL file E343908.

Coil can be supplied and marked EAC for use in Russian Market.

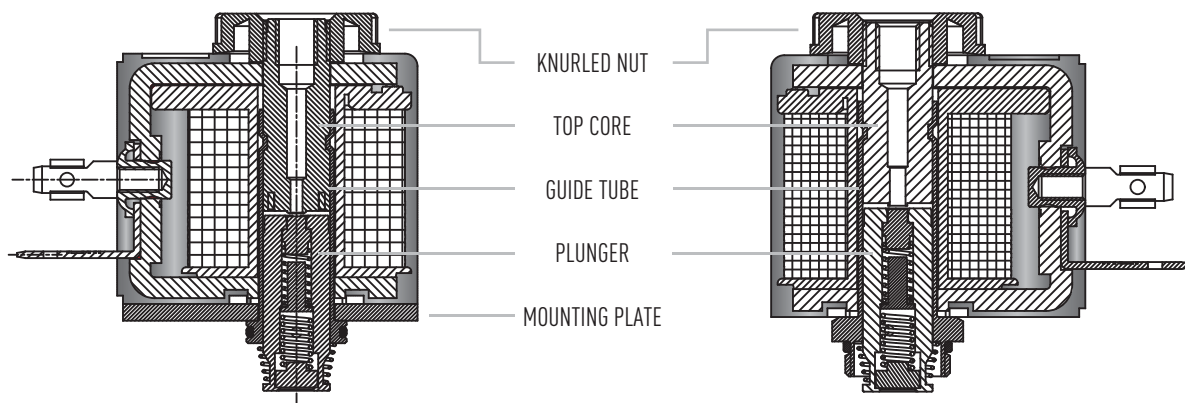
More details about UL and EAC certification can be given on customer request.

COMPLETE SOLENOID OPERATOR AND PILOT VALVE

The EVI 30/9 coils can be equipped with the suitable plunger guide tube (see S8 - S9 Catalogue) or even in combination with a complete pilot valve. In this case refer to 22mm 30mm pilot valve system catalogue.

The EVI 30/8 coils can be equipped with the suitable plunger guide tube (see S8 - S9 Catalogue).

The coil is fastened to the solenoid operator by means of a knurled nut for ease of change over without interrupting the pneumatic circuit.



The specifications and drawings contained herein are believed to be correct and are given in good faith, however no liability is accepted therefore. Manufacturer reserves the right to modify said specifications and drawings without notice for technical or commercial reasons.

COIL CODING SPECIFICATIONS

PART NUMBER: 3 0 9 9 Y K 5 5 5 4 4 * *

COIL BORING
 08 = 8mm
 09 = 9mm
 10 = 10mm

ELECTRICAL CONNECTION
 C = Flying Lead (only for EVI 30/9 & EVI30/10)
 D = DIN 43650 A
 L = M12 LED (Only for EVI 30/9 Epoxy)
 F = DIN 43650 A UL Version (Only for EVI 30/9)
 H = Flying Leads UL Version (Only for EVI 30/9)
 R = DIN 43650 A with Earth Terminal on Top Side (Only for EVI 30/9)

SUPPLY CURRENT
 A = Alternating current (A.C.)
 D = Direct current (D.C.)
 R = Rectified alternating current (R.A.C.)

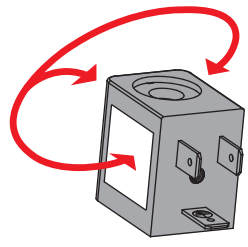
NOMINAL VOLTAGE
 Example: 024 = 24V
 220 = 220V

EVI 30/8 WINDING CODE		
Nominal Voltage	Power	Winding Code
12VDC	4W	05
24VDC	4W	05
24VAC	4VA	06
110VAC	4VA	05
230VAC	5VA	01

EVI 30/9 WINDING CODE		
Nominal Voltage	Power	Winding Code
12VDC	2W	01
	4,5W	05
24VDC	2W	01
	4,5W	06
24VAC	3VA	08
	5VA	02
110VAC	3VA	07
	5VA	02
230VAC	3VA	04
	5VA	01

EVI 30/10 WINDING CODE		
Nominal Voltage	Power	Winding Code
12VDC	6W	03
12VAC	5VA	02
24VDC	6W	07
24VAC	9VA	04
110VAC	5VA	02
230VAC	5VA	01

MARKING
 ZN = Standard - no logo
 AM = Standard + Amisco logo
 ... = Customer specifications



Alternative possibilities for **CUSTOMER LOGO**

EVI 30 Coil System

Coil EVI 30/9

Part Number	Characteristics	DC		AC (50 Hz)		AC (60 Hz)	
3009...	Rated power DC W	2	4,5				
	Inrush power AC VA			5,5	9	4,5	7,5
	Rated power AC VA			3	5	2,5	4,2
	Coil temperature rise @ 50°C ambient T	20	35	20	35	15	30
	Copper temperature rise @ 50°C ambient T	25	50	25	45	20	35

Coil EVI 30/8

Part Number	Characteristics	DC		AC (50 Hz)		AC (60 Hz)	
3008...	Rated power DC W	4					
	Inrush power AC VA			7,5		6,5	
	Rated power AC VA			4		3,5	
	Coil temperature rise @ 50°C ambient T	35		35		30	
	Copper temperature rise @ 50°C ambient T	48		35		30	

Coil EVI 30/10

Part Number	Characteristics	DC		AC (50 Hz)		AC (60 Hz)	
3010...	Rated power DC	2	4,5				
	Inrush power AC			5,5	9	4,5	7,5
	Rated power AC			3	5	2,5	4,2
	Coil temperature rise @ 50°C ambient T	26	56	24	35	20	29
	Copper temperature rise @ 50°C ambient T	31	62	26	37	22	31

Note:

Voltage tolerance: ± 10%	Standard voltages: 12 - 24 VDC
Temperature range: -40°C ÷ +50°C	110 - 115 - 220 - 230 VAC
Duty cycle: 100%	Other voltages and power levels are available on request

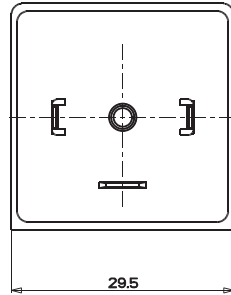
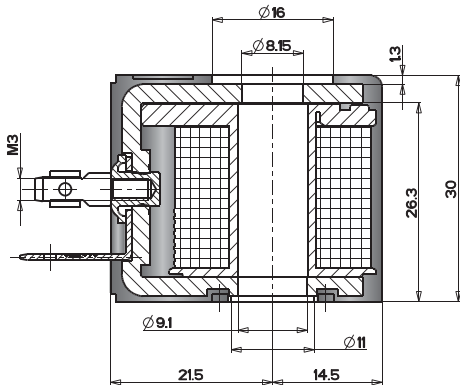
- Power levels, and heating for AC coils are related to Amisco solenoid operators or pilot valves
- The coils performance change according to ambient temperature. All the power levels of this page are @ 20°C.

EVI 30/9 DIN 43650A (EN 175301-803 ISO 4400)

PART NUMBER 3009D...

(M3 Torque 0,4 ÷ 0,6Nm)

Available also: UL Classe H p/n 3009F..

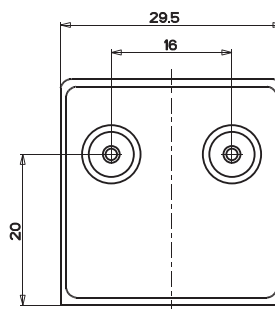
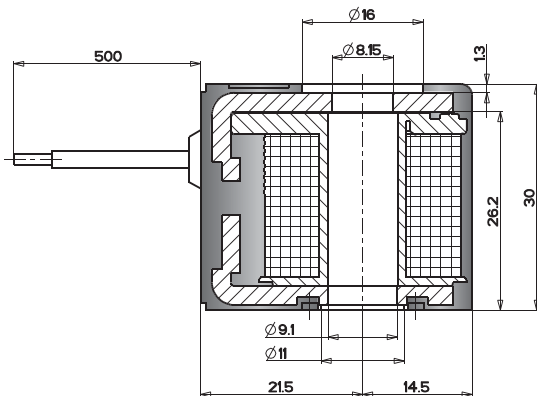


EVI 30/9 Flying Leads

PART NUMBER 3009C...

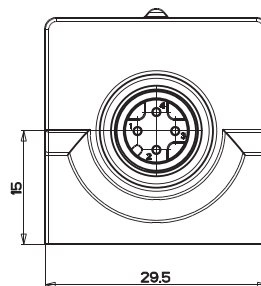
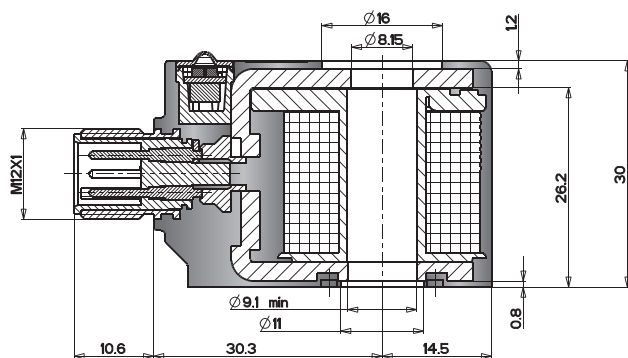
500mm flying leads as a standard, PVC 105°C Ø2.25

Available also: UL Classe H p/n 3009H.. Leads AWG 18, UL Style 10126



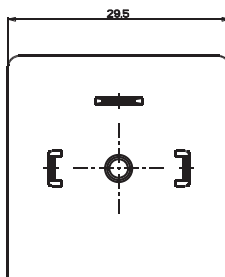
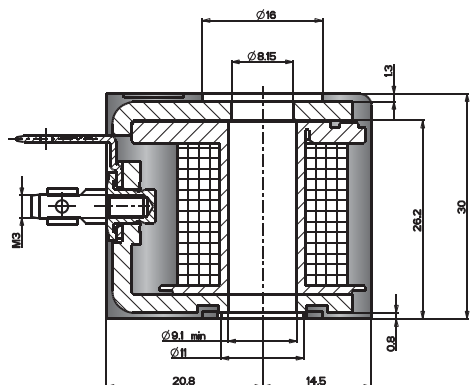
EVI 30/9 M12 LED EPOXY

PART NUMBER 3009L...



EVI 30/9 DIN 43650A (EN 175301-803 ISO 4400) with Earth Terminal on Top Side **PART NUMBER 3009R...**

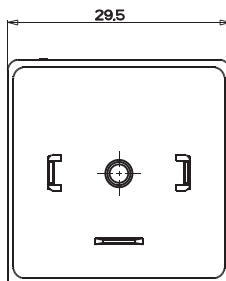
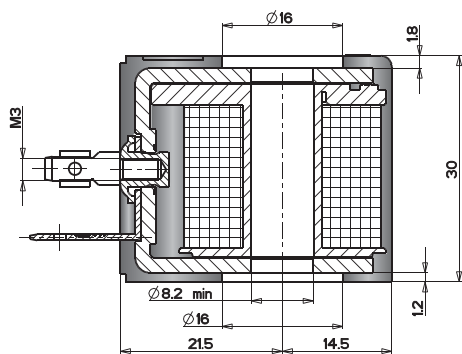
(M3 Torque 0,4 ÷ 0,6Nm)



EVI 30/8 DIN 43650A (EN 175301-803 ISO 4400)

PART NUMBER 3008D...

(M3 Torque 0,4 ÷ 0,6Nm)

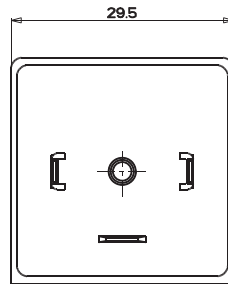
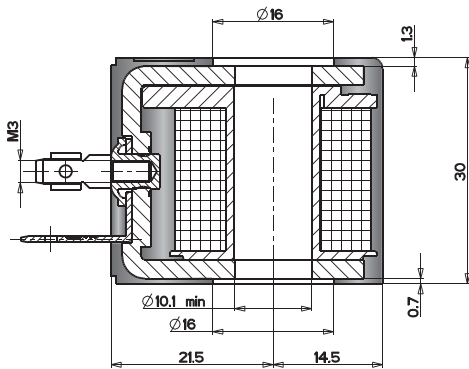


For more information please contact Amisco.

EVI 30/10 DIN 43650A (EN 175301-803 ISO 4400)

PART NUMBER 3010D...

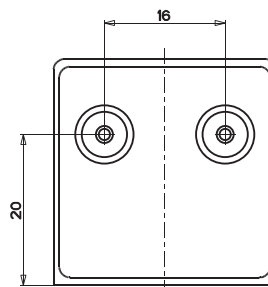
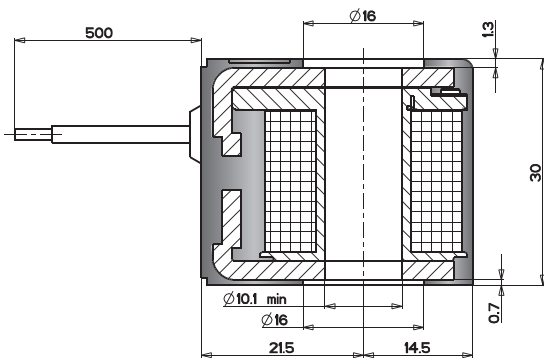
(M3 Torque 0,4 ÷ 0,6Nm)




EVI 30/10 Flying Leads

PART NUMBER 3010C...


500mm flying leads as a standard, PVC 105°C Ø2.25



Certifications



EU DECLARATION OF CONFORMITY



We declare under our sole responsibility that the electric coils and pilot valves families named:

- EVI 3
- EVI 5
- EVI 7
- EVI 9
- EVI 30
- 10 mm
- 15 mm

Marked with Amisco logo and CE marking are in conformity with the following directives:


2011/65/EU (and its amendment 2015/EU/863)
on the restriction of the use of certain hazardous substances in electrical and electronic equipment

2014/35/EU
on the harmonisation of the laws of the Member States relating to the making available on the market of electrical equipment designed for use within certain voltage limits

For the evaluation of the conformity, the following standards, or part of them, has been consulted:


EN 60335/1: 2020 - Household and similar electrical appliances - Safety - Part 1: General requirements
DIN VDE 0580: 2011 - Electromagnetic devices and components

Filippo Rotondo
Amisco Technical Division Director




April 07, 2022

Amisco S.p.A.
Via Piaggio 70, 20037, Paderno Dugnano (Italy)
Phone: +39 02 9900181
E-mail: amisco@amisco.it
Website: www.amisco.it



UKCA Declaration of Conformity



We declare under our sole responsibility that the electric coils and pilot valves families named:

- EVI 3
- EVI 5
- EVI 7
- EVI 9
- EVI 30
- 10 mm
- 15 mm

Marked with Amisco logo and UKCA marking are in conformity with to the following directives:

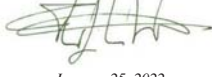
SI 2012/3032
The Restriction of the Use of Certain Hazardous Substances in Electrical and Electronic Equipment Regulations 2012

SI 2016/1101
Electrical Equipment (Safety) Regulations 2016

For the evaluation of the conformity, the following standards, or part of them, has been consulted:

EN 60335/1: 2020 - Household and similar electrical appliances - Safety - Part 1: General requirements
DIN VDE 0580: 2011 - Electromagnetic devices and components

Filippo Rotondo
Amisco Technical Division Director



January 25, 2022

Amisco S.p.A.
Via Piaggio 70, 20037, Paderno Dugnano (Italy)
Phone: +39 02 9900181
E-mail: amisco@amisco.it
Website: www.amisco.it

This Certificate does not replace the original EAC Document




CERTIFICATE

In accordance with
SERCONS INTERNATIONAL
Russian Certification Authority in Europe

the company:
AMISCO S.p.A.
Via Piaggio 70,
Paderno Dugnano (MI), 20037
ITALY

fulfills the necessary requirements to be certified according to EAC regulations.

Valid until: 22.05.2023




SERCONS INTERNATIONAL — Certification Authority
Piazza della Repubblica, 32, 20124 MILAN | +39 02 8001 2140 | www.SERCONS.ch/it

Certificate of Compliance

Page 1 of 1

Certificate Number 20110331-E343908
Report Reference E343908, 2011 March 31
Issue Date 2011 March 31



Issued to: **AMISCO SPA**



VIA PIAGGIO 70
20037 PADERNO DUGNANO MI ITALY

This is to certify that representative samples of **SYSTEMS, ELECTRICAL INSULATION**
Class 180 (H) transformer, motor, or coil insulation system designated AMIH.

Have been investigated by Underwriters Laboratories Inc.® (UL) or any authorized licensee of UL in accordance with the Standard(s) indicated on this Certificate.

Standard(s) for Safety: Systems of Insulating Materials - General, UL1446
CAN/CSA C22.2 No. 0-M91 Appendix B

Additional Information: See UL On-Line Certification Directory at www.ul.com for additional information.

Only those products bearing the UL Recognized Component Marks for the U.S. and Canada should be considered as being covered by UL's Recognition and Follow-Up Service and meeting the appropriate U.S. and Canadian requirements.
The UL Recognized Component Mark for the U.S. generally consists of the manufacturer's identification and catalog number, model number or other product designation as specified under "Marking" for the particular Recognition as published in the appropriate UL Directory. As a supplementary means of identifying products that have been produced under UL's Component Recognition Program, UL's Recognized Component Mark  may be used in conjunction with the required Recognized Marks. The Recognized Component Mark is required when specified in the UL Directory preceding the recognition or under "Marking" for the individual recognitions. The UL Recognized Component Mark for Canada consists of the UL Recognized Mark for Canada  and the manufacturer's identification and catalog number, model number or other product designation as specified under "Marking" for the particular Recognition as published in the appropriate UL Directory.

Look for the UL Recognized Component Mark on the product

William R. Carney
Director, North American Certification Programs
Underwriters Laboratories Inc.
Any information and documentation involving UL Mark services are provided on behalf of Underwriters Laboratories Inc. (UL) or any authorized licensee of UL.
For questions, please contact a local UL Customer Service Representative at <http://www.ul.com/global/eng/pages/corporate/contact/>



w w w . a m i s c o . i t



AMISCO S.p.a.
Via Piaggio, 70
20037 Paderno Dugnano (Mi)
Italy

Tel. +39 02.99.00.181
Fax +39 02.99.00.18.60
amisco@amisco.it