

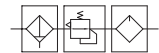
NC series F.R.L. Combinations

Product features

CHELIC



Symbol:



Specification

Item	Model	NC-100	NC-200	NC-300	NC-400	NC-450	NC-500
Fluid		Air					
Port size	Rc	M5, 1/8	1/8, 1/4	1/4, 3/8	1/4, 3/8, 1/2	1/2, 3/4	3/4, 1
Filter grade		5 μm					
Pressure range	kgf/cm ² (kPa)	0.5 ~ 8.5 (50 ~ 850)					
Max. service pressure	kgf/cm ² (kPa)	9.5 (950)					
Temperature	°C	5 ~ 60					
Bowl capacity	cc	5	15	30	60	100	100
Lubricator capacity	cc	9	25	50	90	160	160
Recommended lubrication		First class Recommended lubricants (IOS-VG32 lubricant only and equivalent).					
Weight	kg	0.19	0.46	0.98	1.42	2.20	3.54
Material	Main body	Aluminum die cast					
	Bowl	Polycarbonate/Aluminum bowl					
Equipment	Filter	NF-100	NF-200	NF-300	NF-400	NF-450	NF-500
	Regulator	NR-100	NR-200	NR-300	NR-400	NR-450	NR-500
	Lubricator	NL-100	NL-200	NL-300	NL-400	NL-450	NL-500
Protection device							

Pressure gauge & Pressure switch ⑥

Order Code	Pressure gauge			Pressure switch (option and additional)	
	PG5	PG10	PG22	NC-□ - 41 - 02	NC-□ - 41 - 04
Model	PG-05	PG-10	PG-22N	PSN-41-02	PSN-41-04
NC-100	● (Standard)	—	—	—	—
NC-200	—	● (option)	● (Standard)	●	●
NC-300	—	● (option)	● (Standard)	●	●
NC-400	—	● (option)	● (Standard)	●	●
NC-450	—	● (option)	● (Standard)	●	●
NC-500	—	● (option)	● (Standard)	●	●

Combination structure ⑦

Figure						
Order Code	None(Standard)	-TA(option)	-TB(option)	-TM(option)	PN-100D(option)	PN-300D(option)
NC-100	●	●	●	●	—	—
NC-200	●	●	●	●	●	—
NC-300	●	●	●	●	●	●
NC-400	●	●	●	●	●	●
NC-450	●	●	●	●	●	●
NC-500	●	●	●	●	●	●

Note: 1. (Standard) : Standard accessory ; (option) : Accessory option.

2. Pressure switch PSN10, PSN30 and PSN-41 specification, please refer to detail specification in P.1-2.23 ~ P.1-2.28

NC series F.R.L. Combinations

Code of order

CHELIC

Code of order

NC - 300 - 03 - G - BG - A - F1 - PG 10 - TA

Model (1) Port size (2) Thread type (3) Bowl type (4) Fitting (5) Pressure gauge (6) Combination structure (7)

Model	Port size							
	Code	M5	01	02	03	04	06	10
NC - 100	●	●						
NC - 200		●	●					
NC - 300			●	●				
NC - 400				●	●			
NC - 450						●	●	
NC - 500								●

Thread type			
none	G	N	
M5	RC	G	NPT
●	●	●	●
●	●	●	●
●	●	●	●
●	●	●	●

Bowl type	
None	Other bowl type
PC (Short bowl)	—
PC (Short bowl)	option
Bowl guard (Short Bowl)	option
Bowl guard (Standard)	option
Bowl guard (Standard)	option
Bowl guard (Standard)	option

※ Please see the below table in detail.

Fitting	
none	-F1
Manual drain cock	option
	option
	option
	option
	option

※ Please see the below table in detail.

Pressure gauge (6)

PG-05
None : Standard
Circle pressure gauge
※For N100 series

PG-22N
None : Standard
Square pressure gauge (Thin mounting type)

PG-10A
None : Standard
Square pressure gauge (option)
※N200,N300,N400,N450,N500 series (option)

Combination structure (7)

None : Standard

TA, TB, TM

□ Bowl and Drain cock type ← ④

□ With fitting - F1 ← ⑤

□ NC-100~200 type - Bowl and Drain cock type - ④

Bowl type	PC (Short bowl)		Bowl guard (Short bowl)		PC (Long bowl)	Bowl guard (Long bowl)	Metal (Long bowl)
	Manual drain cock	Differential pressure	Manual drain cock	Differential pressure	Auto drain	Auto drain	Auto drain
	-H	-A	-BG-H	-BG-A	-LG-A	-LBG-A	-LMG-H
NC-100	● (standard)	—	—	—	—	—	—
NC-200	● (standard)	● (option)	● (option)	● (option)	● (option)	● (option)	● (option)

□ NC-100~200 type - With fitting - F1 - ⑤

NC-100/200	—	● (standard)	● (option)	● (standard)	● (standard)	● (standard)	—
Description		Note.1 (Fitting outside)	Note.1 (Fitting outside)	Note.1 (Fitting outside)	(PF1/8 Male thread)	(PF1/8 Male thread)	

⑥

□ NC-300~500 type - Bowl and Drain cock type - ④

Bowl type	Bowl guard (Standard)			Bowl guard (Long bowl)		Metal (Long bowl)	
	Manual drain cock	Differential pressure	Auto drain	Manual drain cock	Auto drain	Manual drain cock	Auto drain
Model	-H	-S	-A	-LG-H	-LG-A	-MG-H	-MG-A
NC-300	● (standard short)	● (option)	—	● (option)	● (option)	● (option)	● (option)
NC-400	● (standard)	● (option)	● (option)	—	—	● (option)	● (option)
NC-450	● (standard)	● (option)	● (option)	—	—	● (option)	● (option)
NC-500	● (standard)	● (option)	● (option)	—	—	● (option)	● (option)

⑦

□ NC-300~500 type - With fitting - F1 - ⑤

NC-300~500 Note	● (option)	● (option)	● (standard)	● (option)	● (standard)	● (option)	● (standard)
-----------------	------------	------------	--------------	------------	--------------	------------	--------------

- Note: 1. NC200 series are outside fitting, others are inside fitting; please refer to P.1-1.06 auto drain construction.
 2. NC200/300 series are standard manual type. (-H Short bowl type)
 3. (standard): Standard accessory; (option): Optional accessory.

NC

NFC

PSN-10
30,41

NFR

MFR

MFRD

NF

MF

MFD

NR

ARX

NPR

NL

N

DM

ERX

ERP

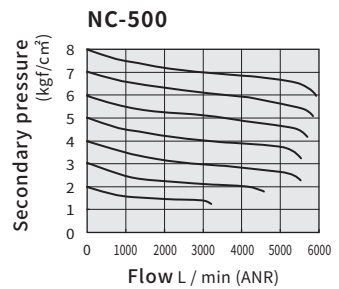
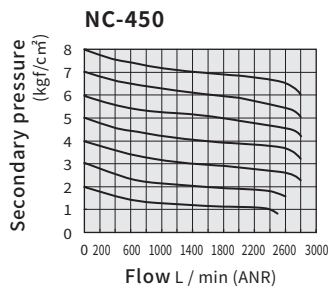
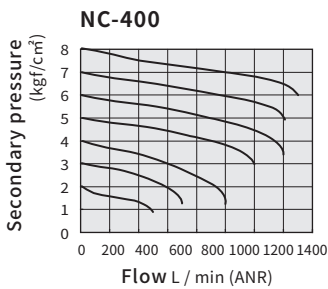
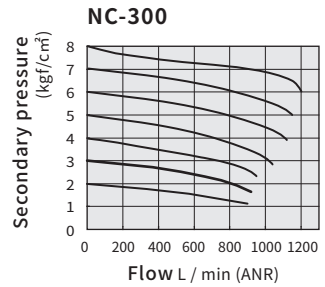
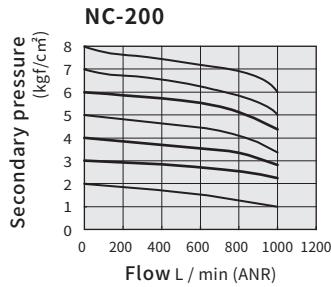
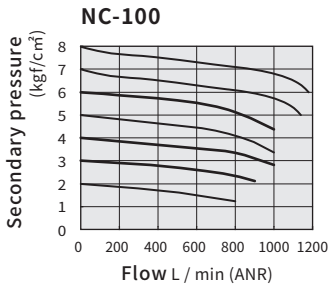
PG/AFB
NDV/AD

NC series F.R.L. Combinations

Characteristics graph

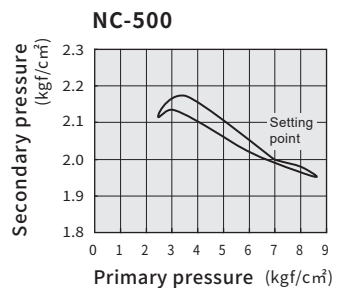
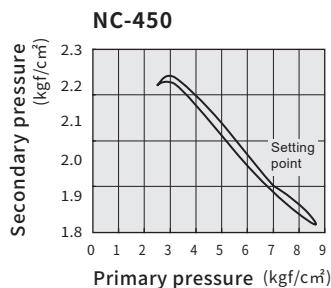
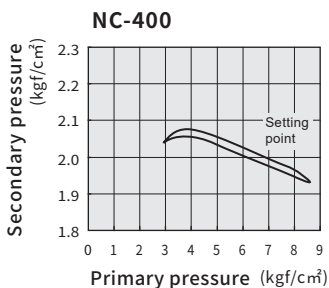
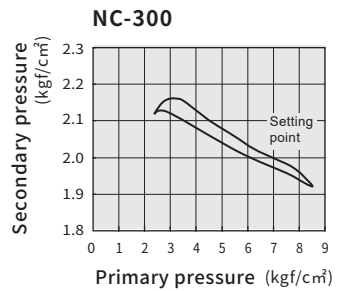
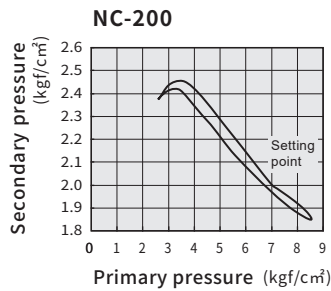
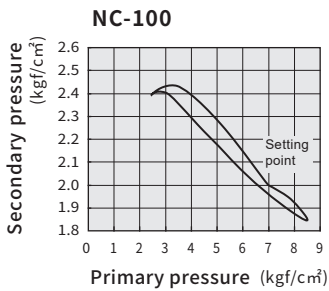
CHELIC

Flow rate characteristic graph



Note: The flow rate dropping might be caused by working environment with dirt and objects; filter element is suggested to replace from time to time.

Pressure characteristics graph



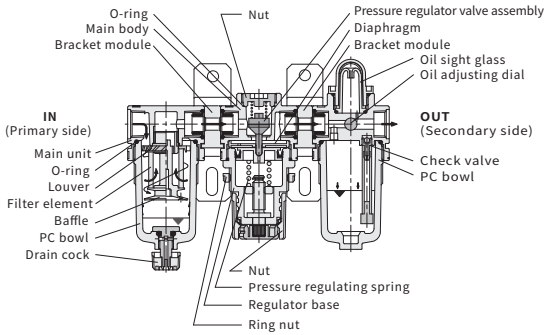
NC series F.R.L. Combinations

Product features

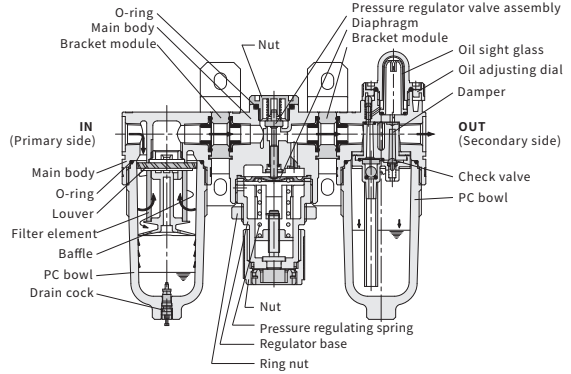
CHELIC

Internal structure

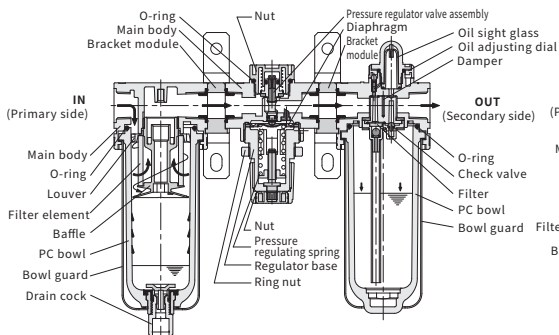
NC-100



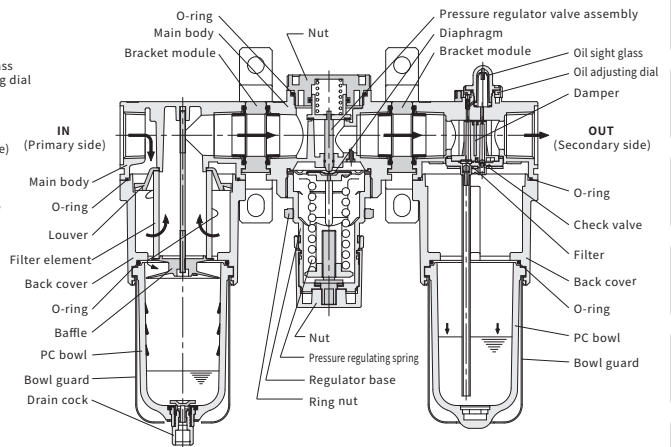
NC-200



NC-300, 400, 450

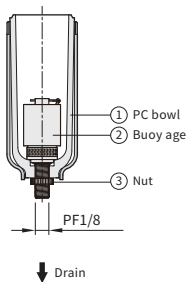


NC-500

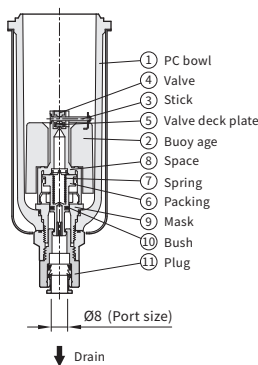


Auto drain structure theory

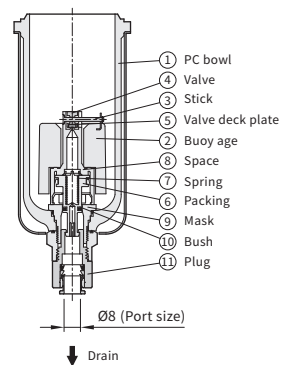
● Suitable for: N200
Model: AD-25



● Suitable for: N300
Model: AD-35



● Suitable for: N400, N450, N500
Model: AD-55



NC

NFC

PSN-10
30,41

NFR

MFR

MFRD

NF

MF

MFD

NR

ARX

NPR

NL

N

DM

ERX

ERP

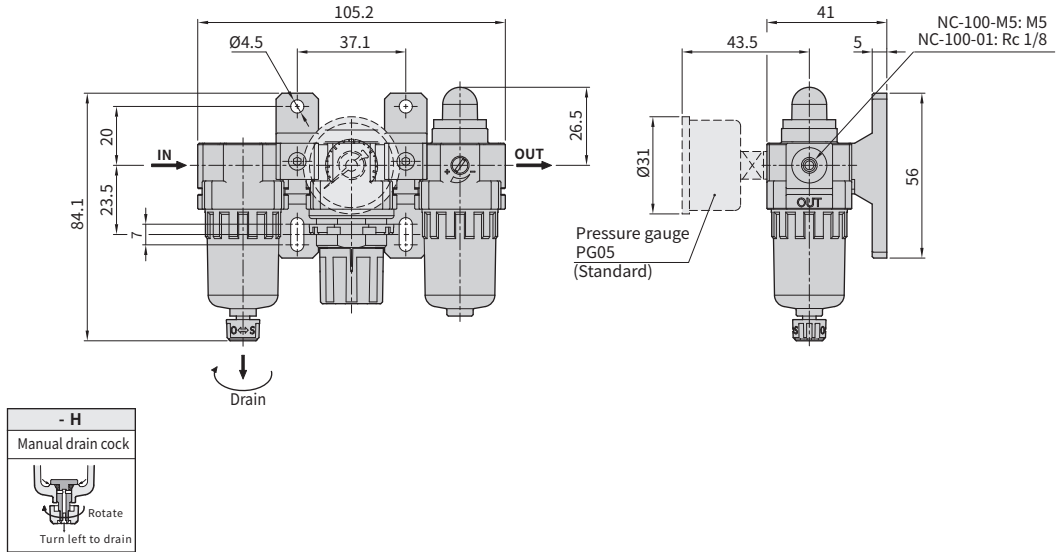
PG/AFB
NDV/AD

NC series F.R.L. Combinations

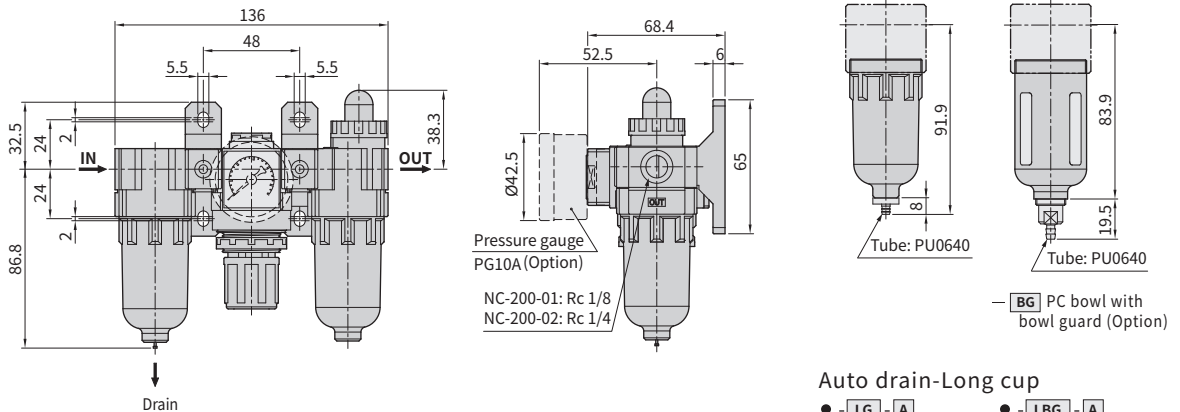
Dimensions

CHELIC

● NC - 100 - [] Standard

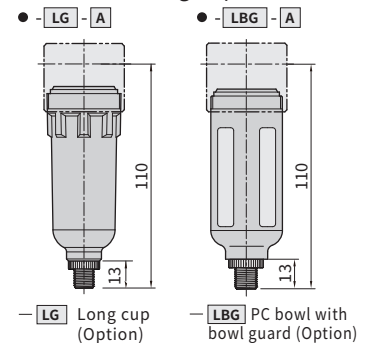


● NC - 200 - [] - H



- H	- BG-H - F1	- A	- LG - A	- LBG - A
Manual drain cock (standard)	Manual drain cock (With bowl guard, Fitting)	Auto drain (Differential pressure should be above 1kg)	Auto drain (AD-25)	Auto drain (AD-25)
Button Push	Bowl guard F1 Fitting Push			

Auto drain-Long cup

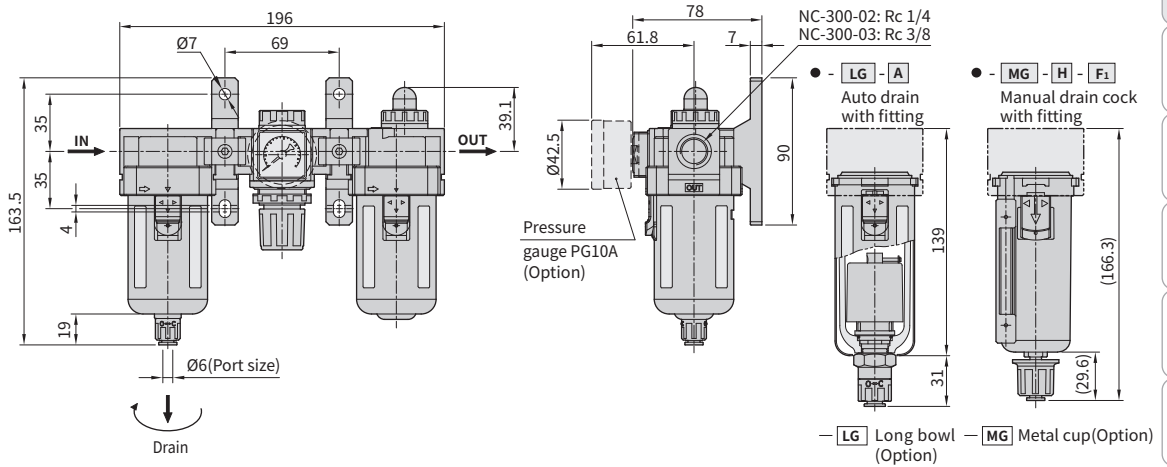


NC series F.R.L. Combinations

Dimensions

CHELIC

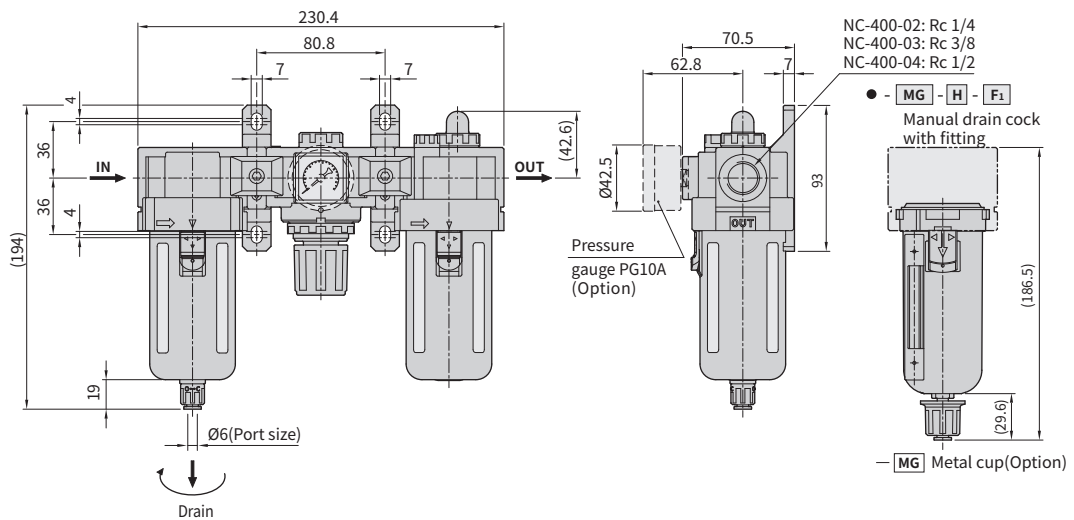
NC - 300 - H Standard



-H	-H-F1	-S	-S-F2	-A
Manual drain (Standard)	Manual drain cock with fitting (Option)	Semi-Auto drain (Option)	Semi-Auto drain with fitting (Option)	Auto drain (Option AD-35)
Rotate Turn left to drain	Rotate Turn left to drain	Rotate Turn left to drain	Rotate Turn left to drain	Float type

Note : Above auto drainer is AD-35°

NC - 400 - H Standard



-H	-H-F1	-S	-S-F2	-A
Manual drain (Standard)	Manual drain cock with fitting (Option)	Semi-Auto drain (Option)	Semi-Auto drain with fitting (Option)	Auto drain (Option AD-55)
Rotate Turn left to drain	Rotate Turn left to drain	Rotate Turn left to drain	Rotate Turn left to drain	Float type

NC

NFC

PSN-10
30,41

NFR

MFR

MFRD

NF

MF

MFD

NR

ARX

NPR

NL

N

DM

ERX

ERP

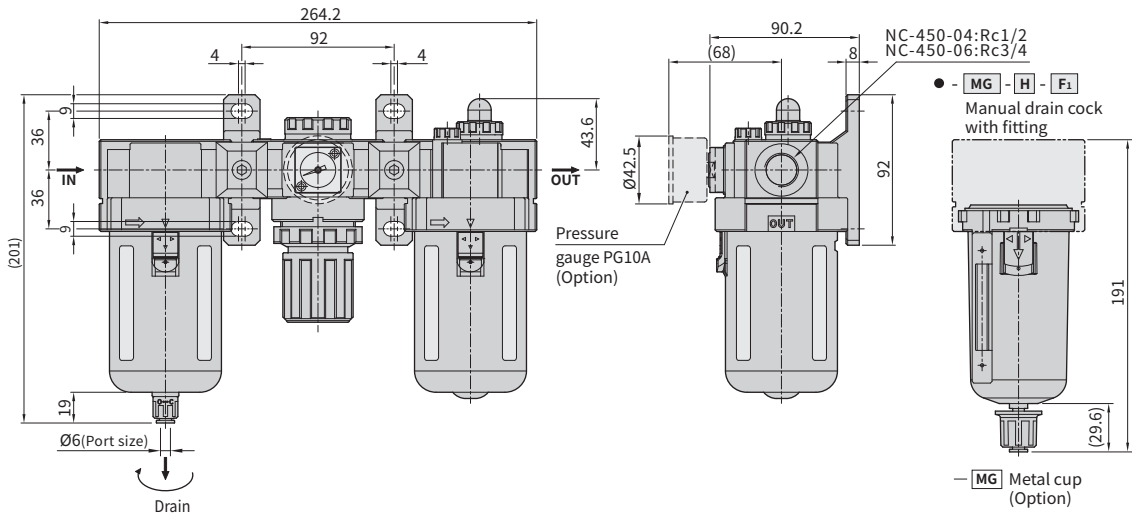
PG/AFB
NDV/AD

NC series F.R.L. Combinations

Dimensions

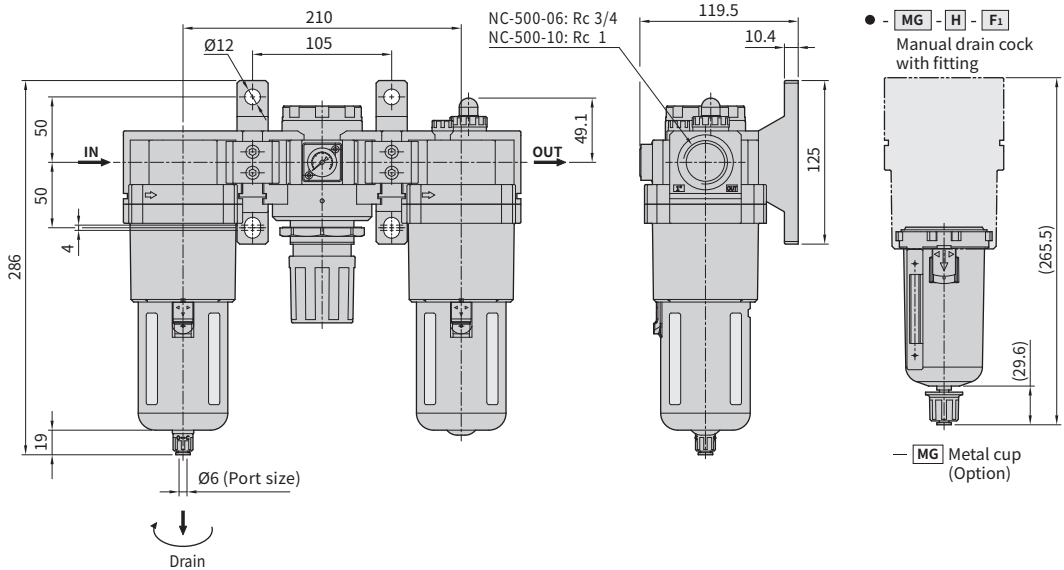
CHELIC

NC - 450 - [] - H Standard



-H	-H-F1	-S	-S-F2	-A
Manual drain (Standard)	Manual drain cock with fitting (Option)	Semi-Auto drain (Option)	Semi-Auto drain with fitting (Option)	Auto drain (Option AD-55)
Rotate Turn left to drain	Rotate Turn left to drain	Rotate Turn left to drain	Rotate Turn left to drain	Float type

NC - 500 - [] - H Standard



-H	-H-F1	-S	-S-F2	-A
Manual drain (Standard)	Manual drain cock with fitting (Option)	Semi-Auto drain (Option)	Semi-Auto drain with fitting (Option)	Auto drain (Option AD-55)
Rotate Turn left to drain	Rotate Turn left to drain	Rotate Turn left to drain	Rotate Turn left to drain	Float type

Note : Above auto drainer is AD-55°

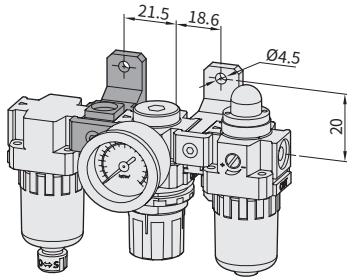
NC series F.R.L. Combinations

Mounting bracket

CHELIC

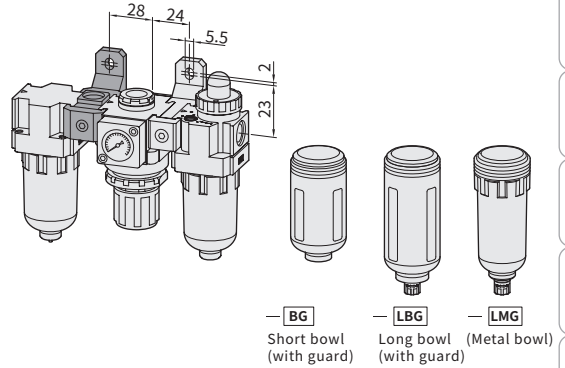
NC - 100 - TA - H

Suitable for air gun operating



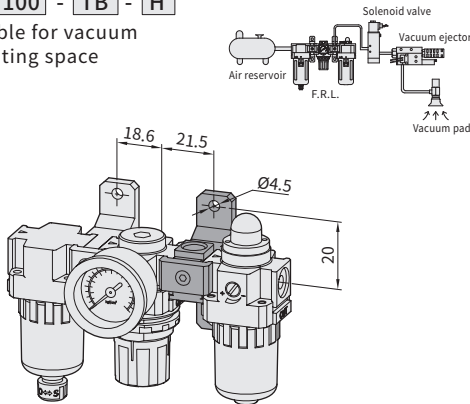
NC - 200 - TA - H

Suitable for air gun operating



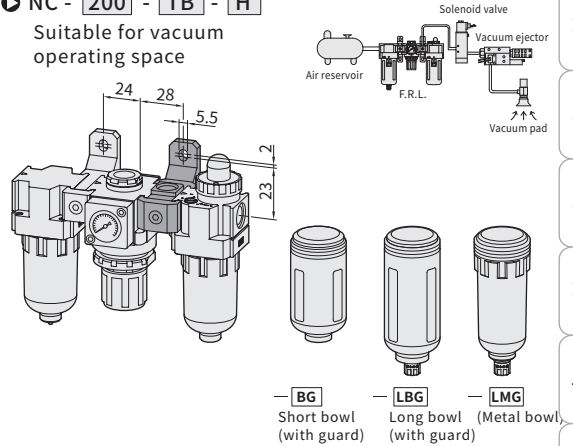
NC - 100 - TB - H

Suitable for vacuum operating space



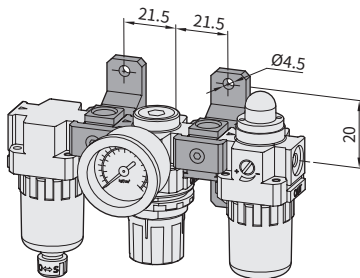
NC - 200 - TB - H

Suitable for vacuum operating space



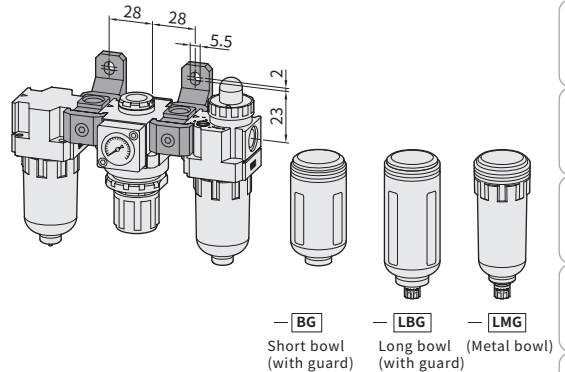
NC - 100 - TM - H

Suitable for air gun + vacuum operating



NC - 200 - TM - H

Suitable for air gun + vacuum operating



NC

NFC

PSN-10
30,41

NFR

MFR

MFRD

NF

MF

MFD

NR

ARX

NPR

NL

N

DM

ERX

ERP

PG/AFB
NDV/AD

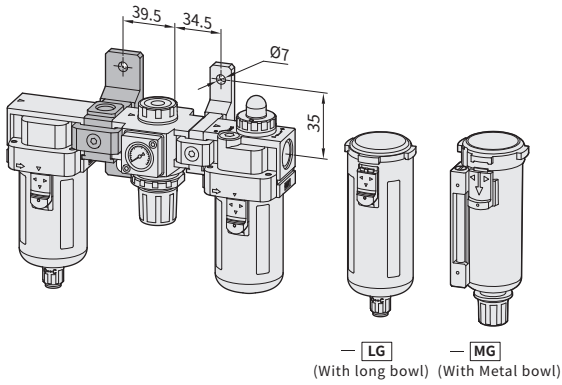
NC series F.R.L. Combinations

Mounting bracket

CHELIC

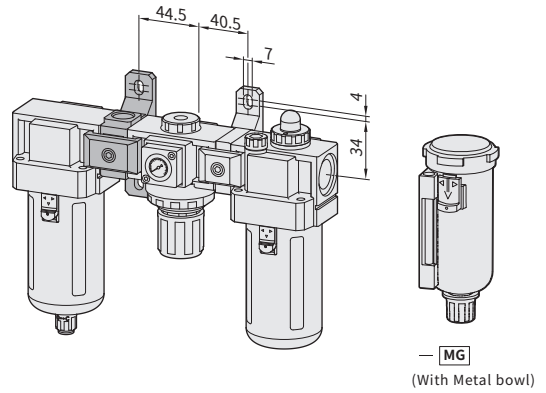
NC - 300 - TA - H

Suitable for air gun operating



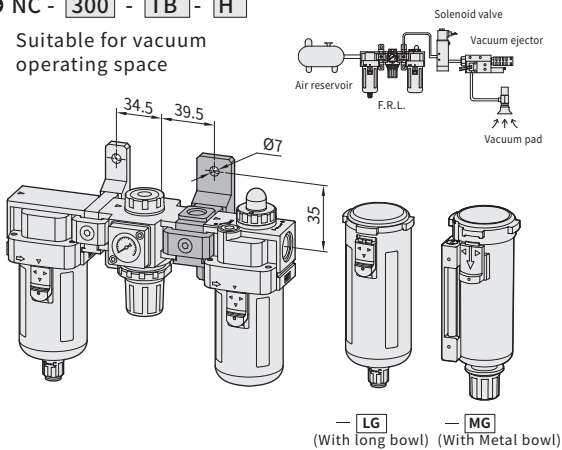
NC - 400 - TA - H

Suitable for air gun operating



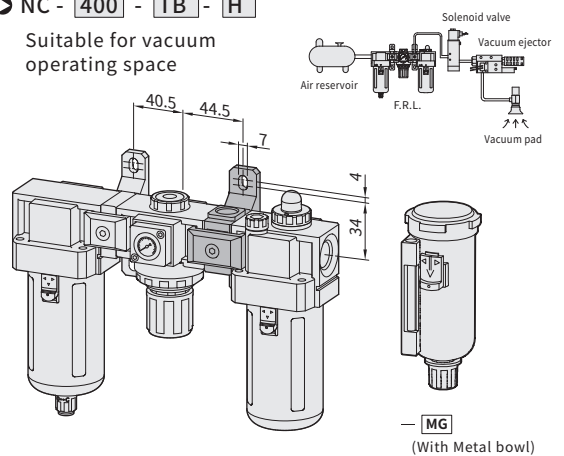
NC - 300 - TB - H

Suitable for vacuum operating space



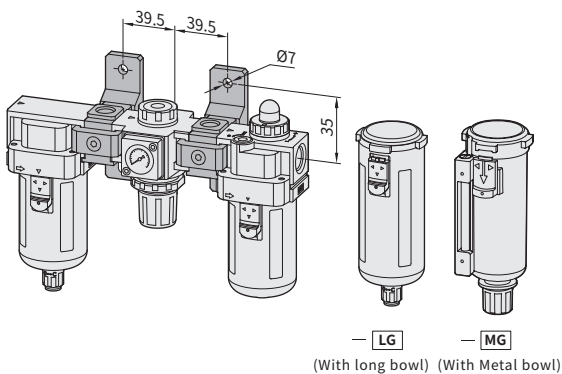
NC - 400 - TB - H

Suitable for vacuum operating space



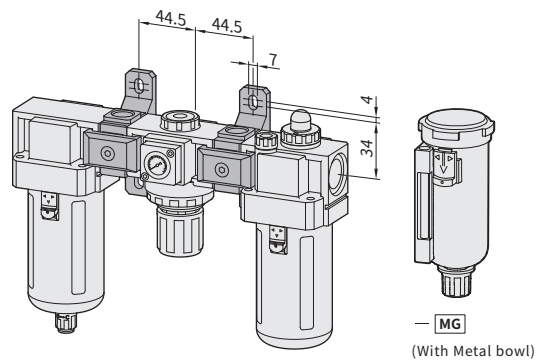
NC - 300 - TM - H

Suitable for air gun + vacuum operating



NC - 400 - TM - H

Suitable for air gun + vacuum operating



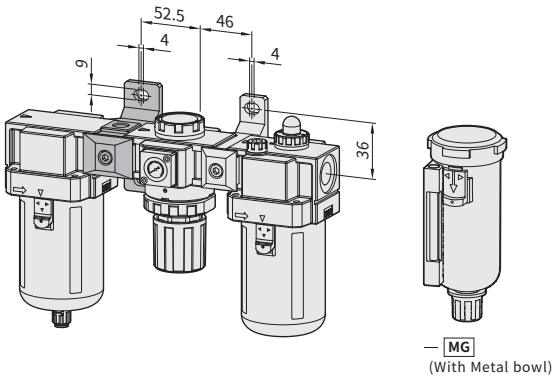
NC series F.R.L. Combinations

Mounting bracket

CHELIC

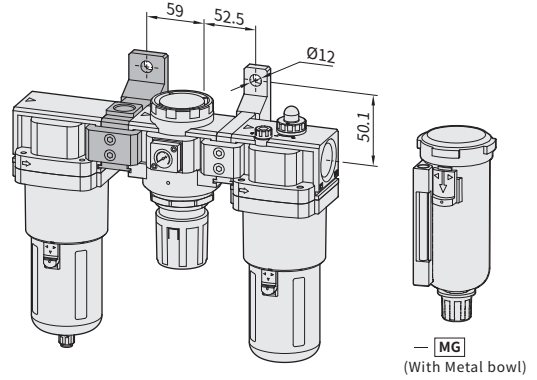
NC - 450 - TA - H

Suitable for air gun operating



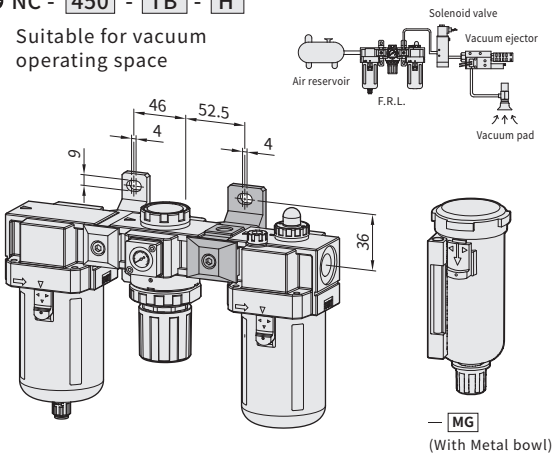
NC - 500 - TA - H

Suitable for air gun operating



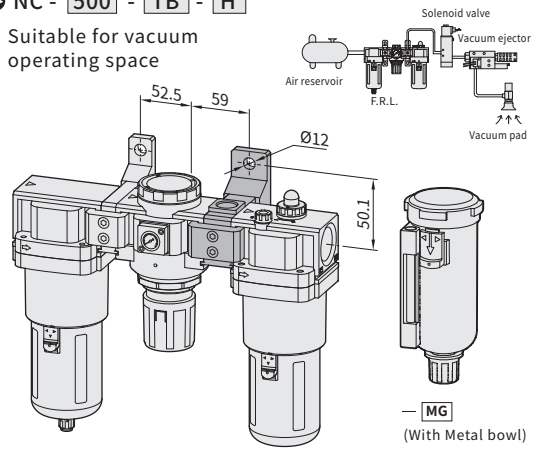
NC - 450 - TB - H

Suitable for vacuum operating space



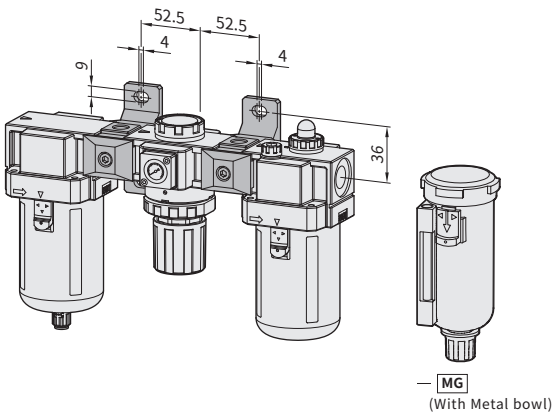
NC - 500 - TB - H

Suitable for vacuum operating space



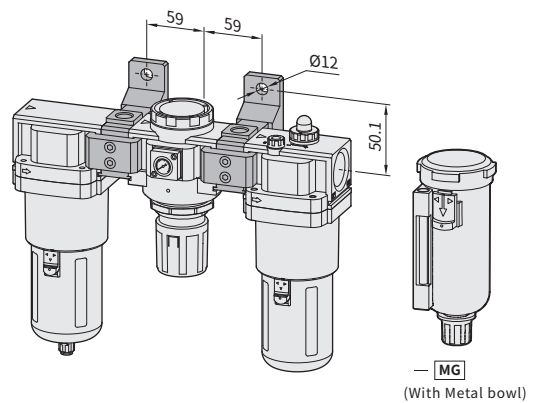
NC - 450 - TM - H

Suitable for air gun + vacuum operating



NC - 500 - TM - H

Suitable for air gun + vacuum operating



NC

NFC

PSN-10
30,41

NFR

MFR

MFRD

NF

MF

MFD

NR

ARX

NPR

NL

N

DM

ERX

ERP

PG/AFB
NDV/AD