

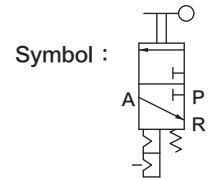
UHS series Shut-off Valve (OSHA)

Feature/ Specification/ Code of order

CHELIC

Feature

- Comply with OSHA specifications.
- With lock hole, display window, visualization of air supply and exhaust status to avoid wrong actions when use double action press down to open air supply.
- Modulization with U series.



Specification

Item	Model	UHS 200	UHS 300	UHS 400
Port size	Rc	1/8, 1/4	1/4, 3/8	1/4, 3/8, 1/2
Fluid		Air		
Pressure range	kgf/cm ² (kPa)	0.5 ~ 8.5 (50 ~ 850)		
Max. service pressure	kgf/cm ² (kPa)	10 (1000)		
Ambient and fluid temperature	°C	5 ~ 60		
Rotation angle	°	90		
Number of position ports		5/2		
Weight	kg	0.11	0.15	0.32
Material	Body	Aluminum alloy die-casting		

Code of Order **UHS 400 - 03 - G - P - C**



1	Mark	Specification	Model			
			UHS 200	UHS 300	UHS 400	
2	Connection port	01	1/8	●		
		02	1/4	●	●	●
		03	3/8		●	●
		04	1/2			●
3	Thread type	None	RC	●	●	●
		G	PF	●	●	●
		N	NPT	●	●	●
4	Silencer	None	Without silencer	●	●	●
		P	Silencer	●	●	●
5	Bracket	None	No bracket	●	●	●
		C	Bracket	●	●	●

OSHA (Occupational Safety and Health Administration)

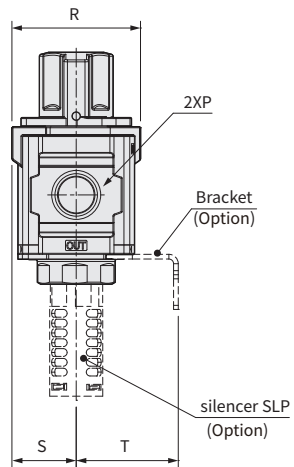
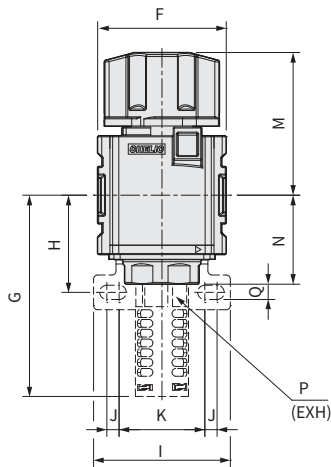
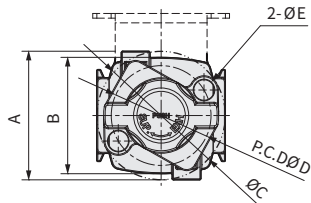
- 1.If a third party inadvertently operates the valve during such operation and compressed air is applied, the cylinder, etc., could move suddenly and injure personnel.
This standard states that, "All valves used for such purposes shall have a key or a structure which can be locked with a key."
- 2.When servicing or maintaining machinery, the air source shall be closed with a shut-off valve (lockout valve), and residual pressure shall be discharged.

UHS series Shut-off Valve (OSHA)

External dimensions/ Bracket instructions

CHELIC

UHS 200 ~ 400

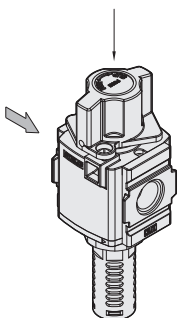


Unit:mm

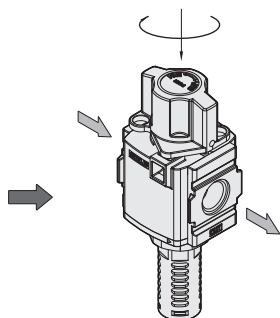
No. Model	Size																Female thread	
	A	B	C	D	E	F	G	H	I	J	K	M	N	Q	R	S	T	P
UHS 200	42.9	40	45	35	6	45	59.8	34	50	2.4	35.2	53	35	5.4	42.9	21.5	30	1/8, 1/4
UHS 300		46	45	35	6	50	67.4	38.1	54	6.5	29	53.7	40.4	6.5	46	23	41	1/4, 3/8
UHS 400	63	57	62.9	48.9	10	63	98.6	47.6	67	6	42	69.9	43.6	7	63	31.5	50	1/4, 3/8, 1/2

Two operation expression

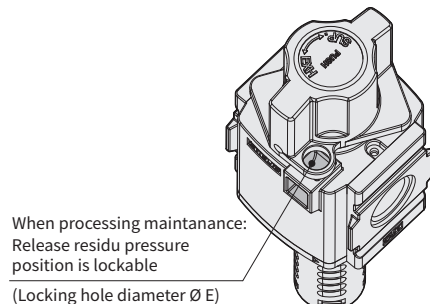
1. Press down the handle



2. Turn the handle in 90°



Locking expression



UC

UFC

UFR

UF

UFM

UR

UL

PN300D

UHS

UV

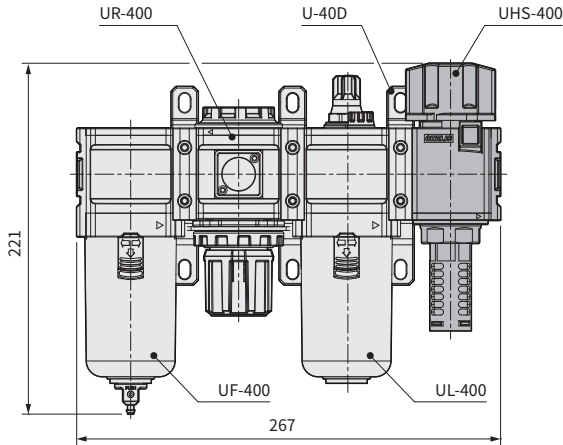
UHS series Shut-off Valve (OSHA)

Assembly example/ Accessory size

CHELIC

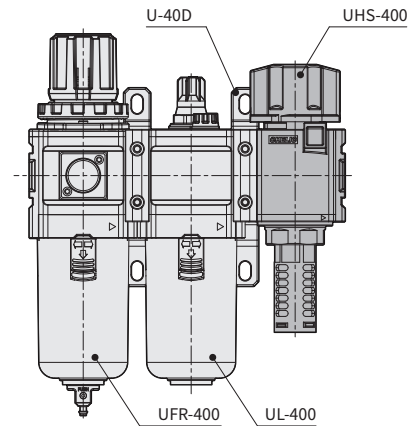
■ UC 400 + UHS 400

Assembly example



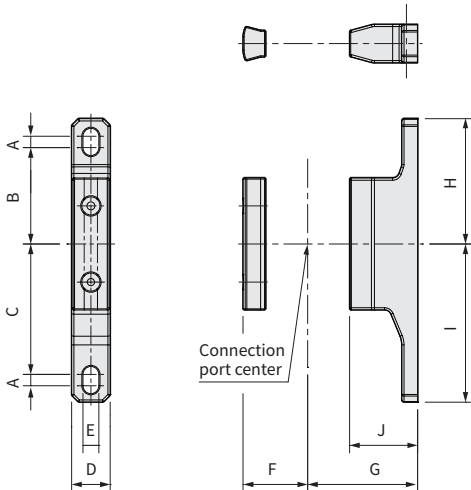
■ UFC 400 + UHS 400

Assembly example



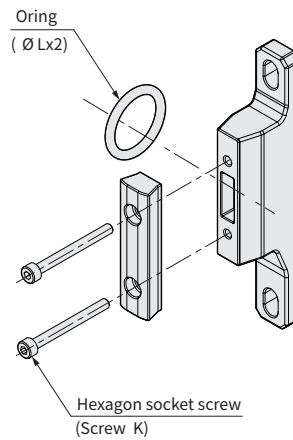
■ U 20D.U 30D.U 40D type

Applicable to U200, U300, U400 series



■ U-D Modularize type

Assembly diagram



Unit:mm

No.	Size											
	Model	A	B	C	D	E	F	G	H	I	J	K
U 20D	2.5	32	35.5	10	4.5	18	30	39.4	42.9	19	M3x0.5Px33L	15.8x1.3
U 30D	5	37	47	14	4.5	26.5	38	47	57	19.5	M4x0.7Px50L	20.8x2
U 40D	5	42.5	57.5	17	7	28.5	48.5	55.3	69.8	30	M4x0.7Px50L	20.8x2

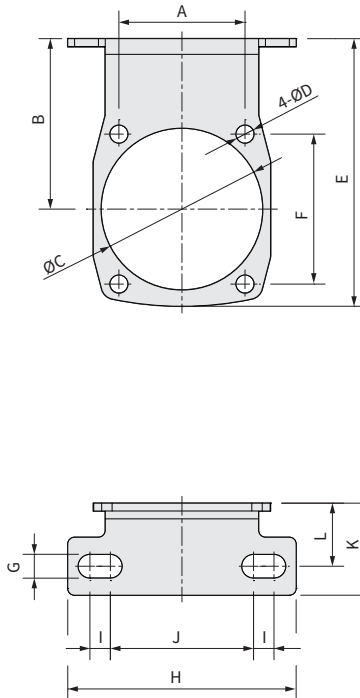
Modularize Series Multi-function Unit

Accessory size

CHELIC

UHS-20C.UHS-30C.UHS-40C Type

Applicable to UHS 200, UHS 300, UHS 400



UC

UFC

UFR

UF

UFM

UR

UL

PN300D

UHS

UV

Unit:mm

No. Model	Size											
	A	B	C	D	E	F	G	H	I	J	K	L
UHS 20C	27.2	30	23.3	3	50	28.4	5.4	50	2.4	35.2	18	13
UHS 30C	29	41	32.3	5	64	34.4	6.5	54	6.5	29	19	13
UHS 40C	37	50	47.5	5.4	78.5	44	7	67	6	42	27	18.5