

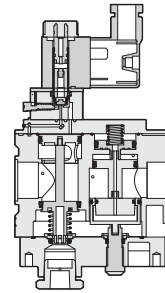
UV series Soft Start-up Valve

Product features

CHELIC



Internal structure



Specification

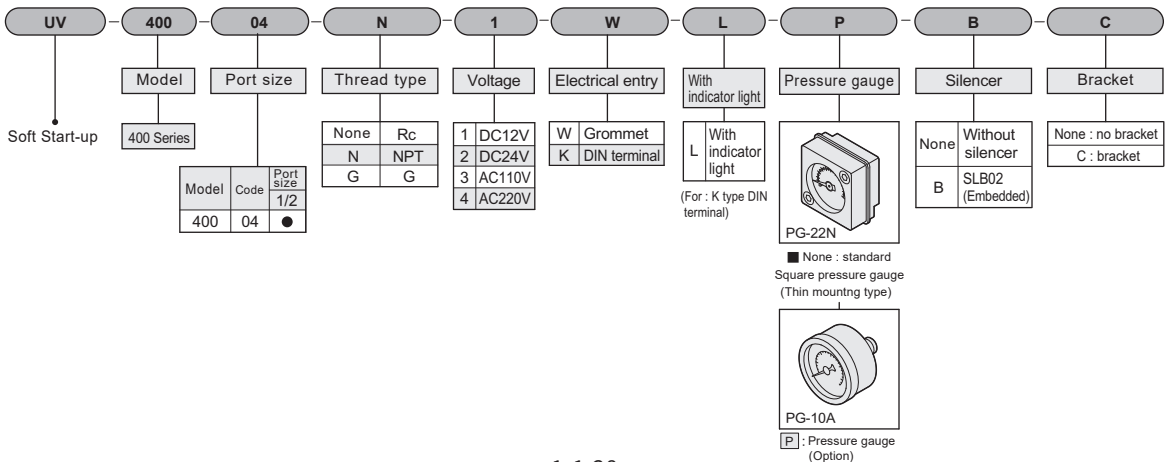
Item	Model	UV400
Fluid		Air
Port size	1(P) · 2(A) Rc/G/NPT	1/2
	3(R)	1/4
Pressure range	kgf/cm ² (kPa)	2~10 (200~1000)
Withstand pressure	kgf/cm ² (kPa)	15 (1500) *Note
Ambient and fluid temperature	°C	0~50
Weight	kg	0.80

*Note : To prevent frozen, please use dry air while in low temperature.

Coil specification

Electrical entry		Grommet	DIN Terminal	
Rated coil voltage	DC	24,12		
	AC 50/60Hz	110,220		
Allowable voltage fluctuation	DC	12V	Rated voltage ± 10%	
		24V	Rated voltage ± 10%	
	AC	110V	Rated voltage ± 10%	
		220V	Rated voltage ± 10%	
Power consumption	DC	3	3	
Apparent power	AC	110V	16 (50Hz), 15 (60Hz)	10 (50Hz/60Hz)
		220V	16 (50Hz), 15 (60Hz)	11 (50Hz/60Hz)
Indicator light		LED		

Code of Order

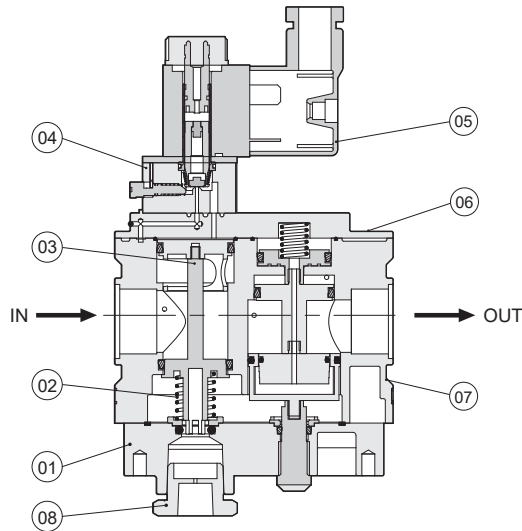


UV series Soft Start-up Valve

Product features

CHELIC

Internal structure

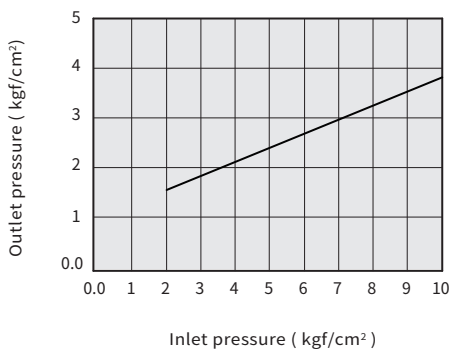


Components and Material list

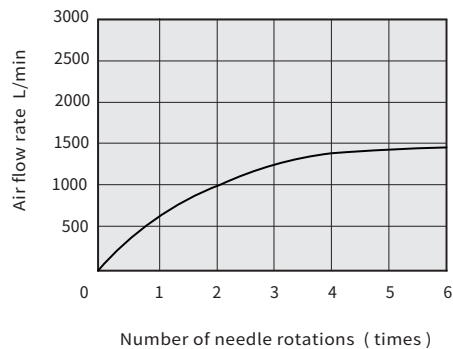
No.	Item	Material
01	Bottom cover	Aluminum alloy
02	"R" hole spring	Stainless steel
03	"P" hole spring	Copper
04	Holder	Aluminum alloy
05	Pilot valve assembly	—
06	Top cover	Aluminum alloy
07	Body	Aluminum alloy
08	Slow transfer	Aluminum alloy

Flow characteristics

Pressure for switching from low speed air supply to rapid air supply.



Needle flow characteristics at low speed air supply.



UC

UFC

UFR

UF

UFM

UR

UL

PN300D

UHS

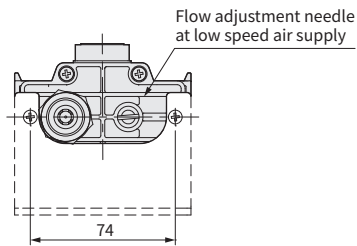
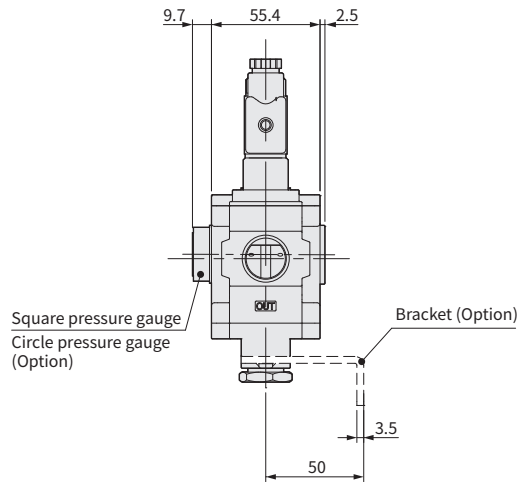
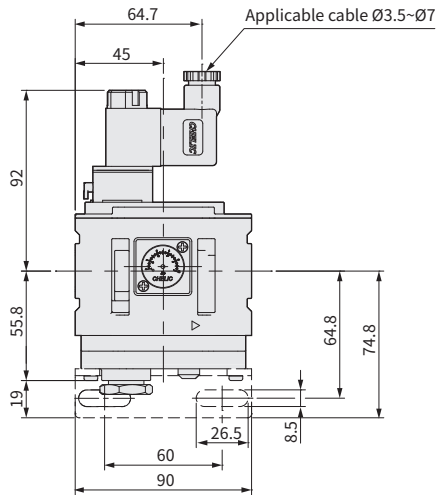
UV

UV series Soft Start-up Valve

Dimensions

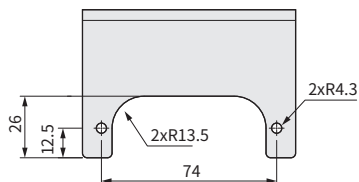
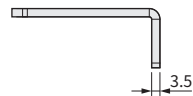
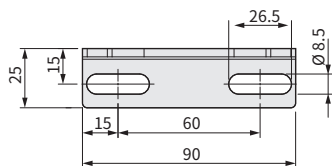
CHELIC

UV 400



UV - C Type Bracket


Applicable to UV 400



UV series Soft Start-up Valve

Product precautions

CHELIC

 **CAUTION** For using the product in safe condition, be sure to read this before handling the products.

- Applying the product to the machine, do make sure the safety performance while mechanism design, air pressure, control circuit and working with electrical-pneumatic system.
- To use our product safely, it is important to chose and understand the units, usage, operation, and to process proper maintainance.
- To make sure product perform in safe usage, please do follow the cautions and warnings and make sure the machine equipment with right setting and proper process.

Caution in design

 **WARNING**

1. Actuator operation
 - When using solenoid valve or actuator in the outlet side of this product, do make sure appropriate actuator operations.
2. Holding pressure
 - Be aware of that the product is not for holding pressure.
3. Not suitable for use as an emergency shut-off valve etc
 - The valves listed in this catalogue are not designed for safety applications such as an emergency shut-off valve.
4. Ventilation
 - The product is applied in specific vessel, please do make sure air exhaust from vessel will not cause dangerous.

Selection

 **WARNING**

1. Confirm the specifications
 - The products presented in this catalogue are designed only for use in compressed air systems.
2. Operation of closed centre solenoid valves
 - Even if this product is used for closed centre solenoid valves or actuator with a load factor of 50% or more, lurching (quick extension) cannot be prevented.
3. Using a regulator in the outlet side
 - When mounting a regulator in the outlet side (A port side), use a relief regulator. With a standard regulator, the outlet side pressure may not be released when this valve is exhausted.
4. Operation of solenoid valves in the outlet side
 - To operate solenoid valves mounted on this product's outlet side (A port side), first confirm that the outlet side pressure (PA) has increased to become equal to the inlet side's pressure (PP).
5. Operation
 - The residual pressure release function of this product is for emergency use only.

UV series Soft Start-up Valve

Product precautions

CHELIC

Install

WARNING

1. If air leakage increases or equipment does not operate properly, stop operation
 - After mounting or maintenance, etc., connect the compressed air and power supplies, and perform appropriate function and leakage tests to confirm that the unit is mounted properly.
2. Operation manual
 - Mount and operate the product after reading the manual carefully and understanding its contents. Also, keep the manual in a place where it can be referred to as necessary.
3. Painting and coating
 - Warnings or specifications printed or labelled on a product should not be erased, removed or covered up.
4. Maintenance space
 - Allow sufficient space for maintenance and inspection.

Adjustment

CAUTION

1. To perform the initial speed adjustment of the outlet side actuator, supply air from this valve's inlet side and turn ON the pilot valve. Then, rotate the needle counterclockwise from the fully closed position.

Air supply

WARNING

1. Use clean air
 - Do not use compressed air that contains chemicals, synthetic oils that include organic solvents, salt, corrosive gases, etc.

CAUTION

1. Install an air filter
 - Install an air filter upstream near the valve. Select an air filter with a filtration size of 5 μ m or smaller.
2. Install an aftercooler, air dryer, or water separator before valve.
 - Compressed air that contains a large amount of drainage or water can cause a malfunction of pneumatic equipment such as valves and other pneumatic units.

UV series Soft Start-up Valve

Product precautions

CHELIC

Operating Environment

WARNING

1. Do not use in an atmosphere where corrosive gases, chemicals, sea water, water, or water vapour is present. Do not use in cases where there is direct contact with any of the above.
2. Do not use in an explosive environment.
3. Do not use in a place subject to heavy vibration or impact.
4. The valve should not be exposed to prolonged sunlight. Use a protective cover if necessary.
5. Remove any sources of excessive heat.
6. In locations where there is contact with water, oil, weld spatter, etc., take suitable protective measures.
7. In a dusty environment or when valve switching noise is intrusive, install a silencer in the R port to prevent dust from entering, and to reduce noise.

Maintenance

WARNING

1. Removal of equipment and supply/exhaust of compressed air
 - When components are removed, first confirm that measures are in place to prevent workpieces from dropping, run-away equipment, etc. Then, cut off the supply pressure and electric power, and exhaust all compressed air from the system using the residual pressure release function.
2. Low frequency operation
 - Valves should be switched at least once every 30 days to prevent a malfunction. (Use caution regarding the air supply.)
3. Manual override operation
 - When the manual override is operated, connected equipment will be actuated. Confirm the safety before operating.