

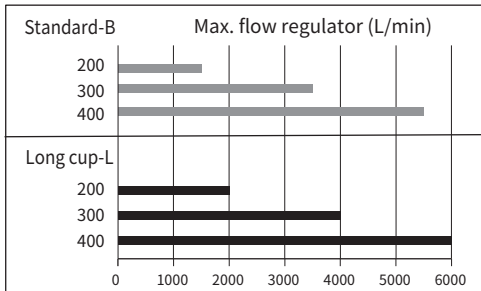
UFM series Mist Separator

Feature

CHELIC

Nominal filtration rating **0.01** μm

Max. flow regulator **6000** L/min



Standard - B

■ UFBM 200/ 300/ 400

- Space saving
- Lightweight



Long cup - L

■ UFML 200/ 300/ 400

- Large filtration area
- Flow capacity increase 10%



Element type

■ UFM - Oil mist separator: 0.3 μm -Silver

- Dust filter, oil mist separation



Long element



Short element

■ UFD - Micro oil mist separator: 0.01 μm -Black

- Micro dust filter, oil mist separation



Long element



Short element

Code of order

Bowl type

■ B - Short

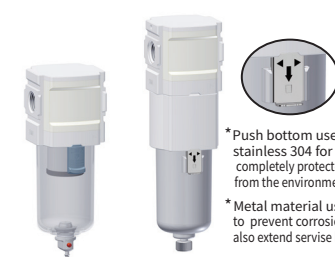
■ L - Long



Bowl material

■ - PC cup

■ MG - Metal cup



* Transparent bowl guard, easy to visible from 360°

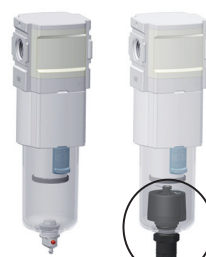
* Push bottom use stainless 304 for completely protected from the environment.

* Metal material use to prevent corrosion also extend service life.

Drain cock type

■ W - Manual drain cock

■ A - Auto drain



* Auto drain use floating switch to drain.

Bracket

■ C - Bracket



* Easy to install

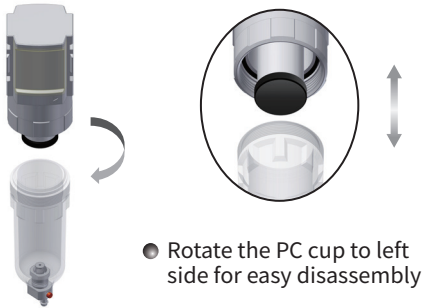
UFM series Mist Separator

Feature

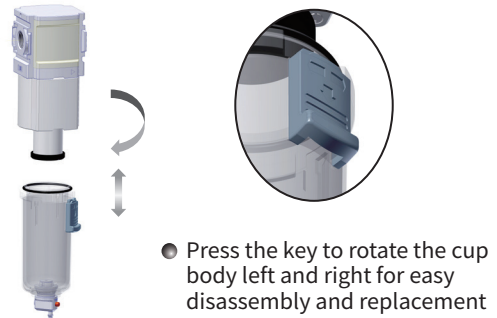
CHELIC

During use and maintenance

■ UFM 200



■ UFM 300/ 400

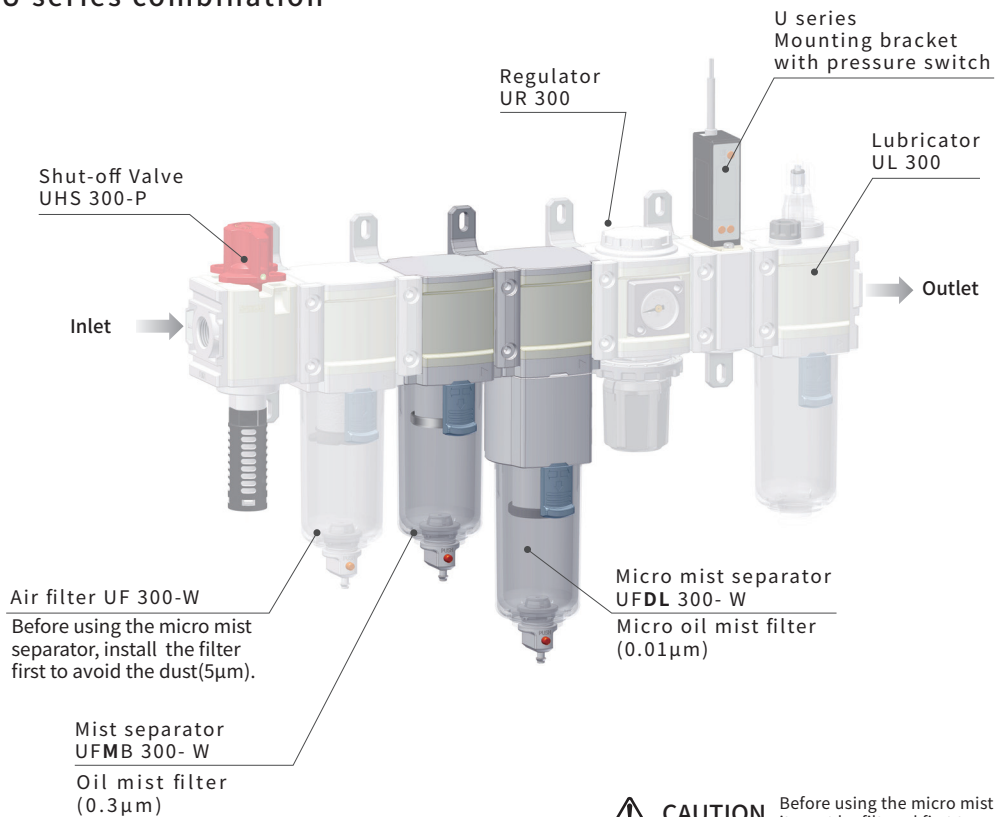


CAUTION Must be checked and assembled properly before the pipeline can be inflated.

DANGEROUS Confirm the pressure has been released before mounting or removing the bowl and bowl guard.

Suggested replacement

■ U series combination



CAUTION Before using the micro mist separator, it must be filtered first to avoid the block.

UC

UFC

UFR

UF

UFM

UR

UL

PN300D

UHS

UV

UFM series Mist Separator

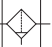
Feature/ Specification/ Code of Order

CHELIC

Feature

- Oil mist filter: 0.3μm/ Micro oil mist filter: 0.01μm
- Remove oil and micro oil mist
- Auto drain in option for small space or not easy to disassemble
- Port connection size up to 1/2
- Long bowl option, large filtration area



Symbol: 

Specification

Item	Model	UFM/ UFD 200	UFM/ UFD 300	UFM/ UFD 400
Port size	Rc	1/8, 1/4	1/4, 3/8	1/4, 3/8, 1/2
Fluid		air		
Filter grade	μm	Oil mist separator: 0.3μm-Silver / Micro oil mist separator: 0.01μm		
Pressure range	kgf/cm ² (kPa)	0.5~8.5 (50~850)		
Max. operating pressure	kgf/cm ² (kPa)	10 (1000)		
Ambient and fluid temperature	°C	5 ~ 60		
Bowl capacity	cc	25	40	80
Long bowl capacity	cc	32	68	108
Material	Body	Aluminum alloy die-casting		
	Bowl	Relieving type		
Short bowl Weight	kg	0.1	0.22	0.39
Long bowl Weight	kg	0.14	0.38	0.69

Code of Order **UF M L 400 - 04 - G - MG - W - C**

① ② ③ ④ ⑤ ⑥ ⑦ ⑧

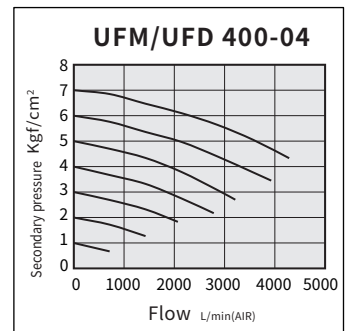
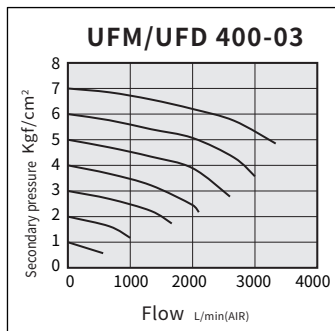
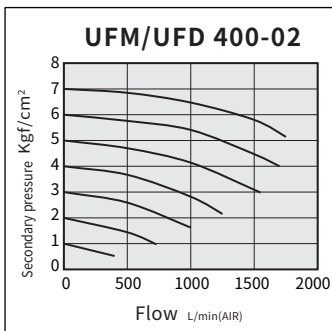
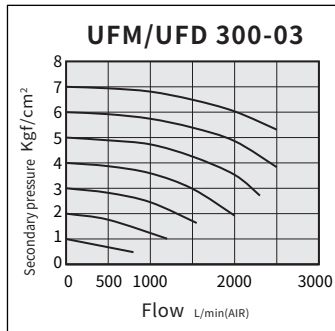
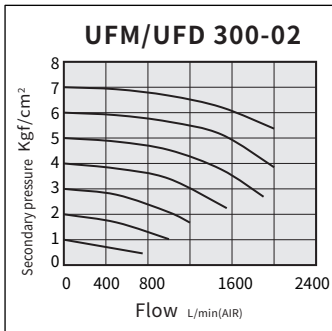
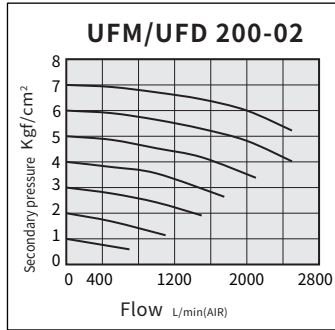
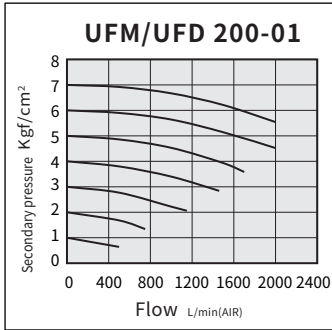
	Mark	Specification	Model		
			UFM/ UFD 200	UFM/ UFD 300	UFM/ UFD 400
① Element type	M	Oil mist separator: 0.3μm-Silver	●		●
	D	Micro oil mist separator: 0.01μm	●	●	●
② Bowl type	B	Short element	●	●	●
	L	Long element	●	●	●
③ Body	200	U 200 series	●		
	300	U 300 series		●	
	400	U 400 series			●
④ Connection port	01	1/8	●		
	02	1/4	●	●	●
	03	3/8		●	●
	04	1/2			●
⑤ Thread type	None	RC	●	●	●
	G	PF	●	●	●
	N	NPT	●	●	●
⑥ Bowl material	None	PC cup	●	●	●
	MG	Metal cup	●	●	●
⑤ Drain cock type	W	Manual drain cock	●	●	●
	A	Auto drain	●	●	●
⑧ Bracket	None	None	●	●	●
	C	Bracket	●	●	●

UFM series Mist Separator

Flow rate characteristic graph

CHELIC

Flow rate characteristic graph



UC

UFC

UFR

UF

UFM

UR

UL

PN300D

UHS

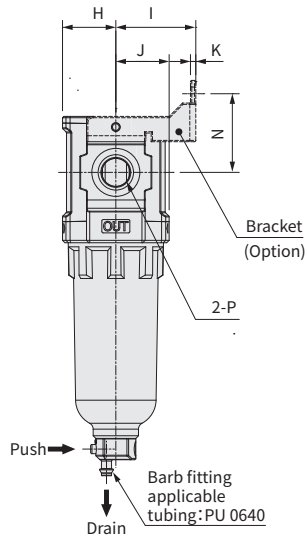
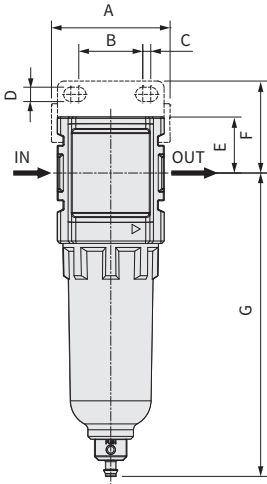
UV

UFM series Mist Separator

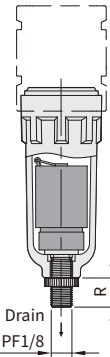
External dimensions

CHELIC

UFM **B** 200 - **W** Short

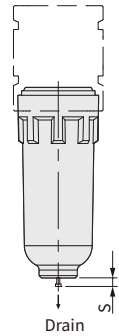


Auto drain



- **A** Auto drain without fitting (Option-AD-25)

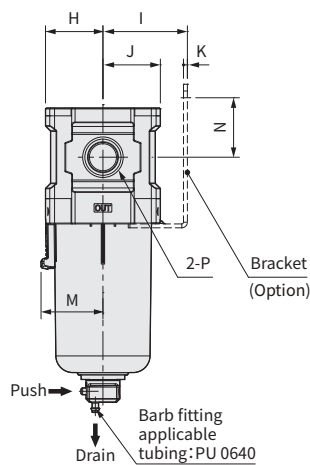
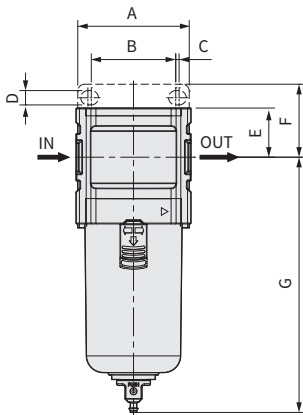
Manual drain cock



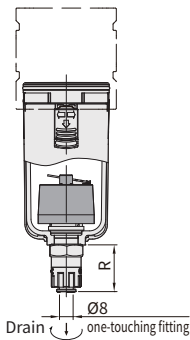
- **MG** Metal cup (Option)

UFM **B** 300 - **W** Short

UFM **B** 400 - **W** Short

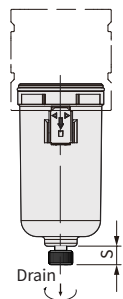


Auto drain



- **A** Auto drain with fitting (Option) (U300 Option-AD35) (U400 Option-AD55)

Manual drain cock



- **MG** Metal cup (Option)

Unit:mm

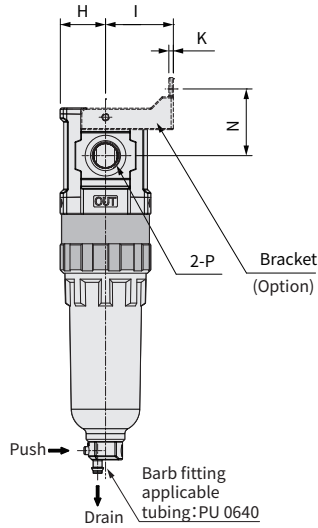
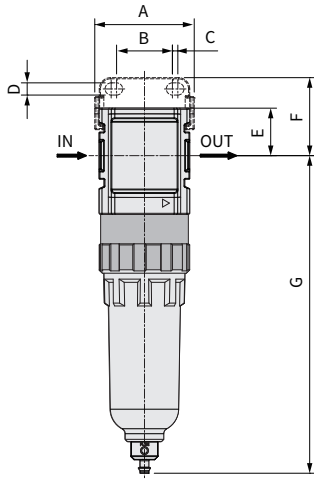
No. Model	Size												Auto drain	Manual drain cock	Female thread	
	A	B	C	D	E	F	G	H	I	J	K	M				N
UFMB 200	44.5	24	3	5.4	21	34.5	113.8	20	30	20	2	29.5	13	3	1/8, 1/4	
UFMB 300	54	29.5	6.5	6.5	25.1	39.1	137.1	27	41	27	2	30.4	32.5	34.5	12.6	1/4, 3/8
UFMB 400	66	50	2	8.5	29.1	43.2	151.1	34	50	34	2.3	36.7	35.2	34.5	12.6	1/4, 3/8, 1/2

UFM series Mist Separator

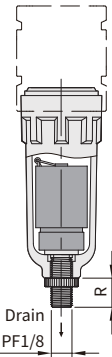
External dimensions

CHELIC

UFM L 200 - W Long

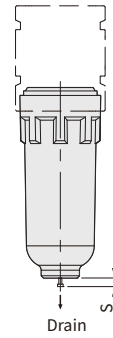


Auto drain



- A Auto drain without fitting (Option-AD-25)

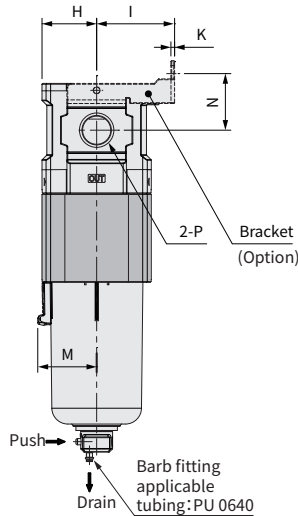
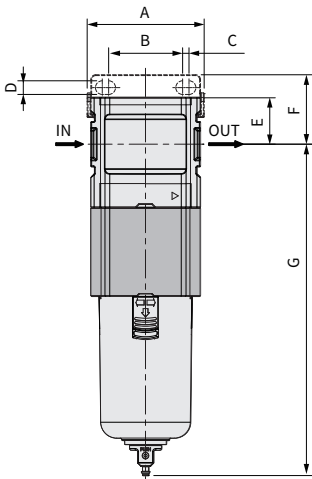
Manual drain cock



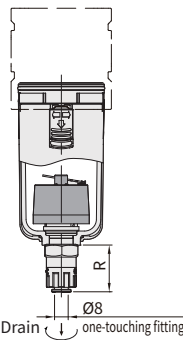
- MG Metal cup (Option)

UFM L 300 - W Long

UFM L 400 - W Long

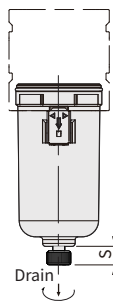


Auto drain



- A Auto drain with fitting (Option) (U300 Option-AD35) (U400 Option-AD55)

Manual drain cock



- MG Metal cup (Option)

Unit:mm

No.	Size												Auto drain	Manual drain cock	Female thread
	A	B	C	D	E	F	G	H	I	K	M	N			
UFML 200	44	24.7	2.4	5.4	21	34.5	139.8	20	30	2		29.5	13	3	1/8, 1/4
UFML 300	58.8	35.5	3.5	6.5	25.1	39.1	183.7	27	38.7	2.3	30.4	30.4	34.5	12.6	1/4, 3/8
UFML 400	72.8	46	4	8.5	29.1	43.2	206.3	34	48.5	2.3	36.7	35.2	34.5	12.6	1/4, 3/8, 1/2

UC

UFC

UFR

UF

UFM

UR

UL

PN300D

UHS

UV