

MF series Mist Separator

Product features/ Characteristics graph

CHELIC



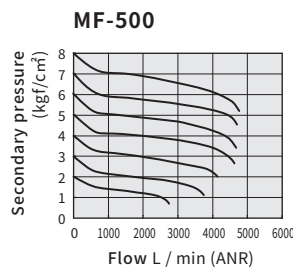
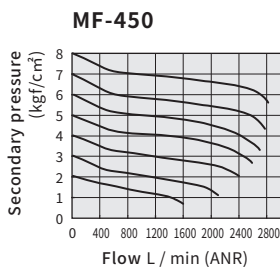
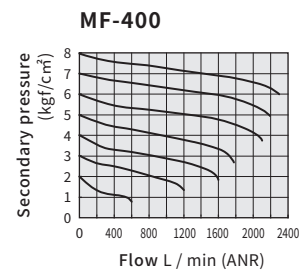
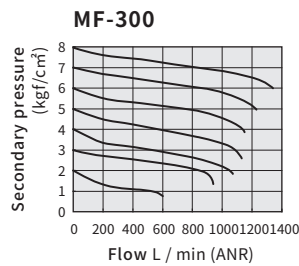
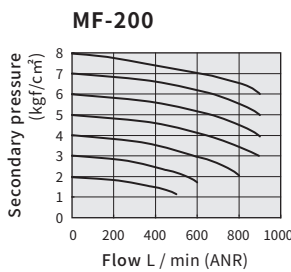
Symbol:



Specification

Item	Model	MF-200	MF-300	MF-400	MF-450	MF-500
Fluid		Air				
Port size	Rc	1/4, 1/8	1/4, 3/8	1/4, 3/8, 1/2	1/2, 3/4	3/4, 1
Filter grade		0.3 μm				
Pressure range	kgf/cm ² (kPa)	0.5 ~ 8.5 (50 ~ 850)				
Max. service pressure	kgf/cm ² (kPa)	9.5 (950)				
Temperature	°C	5 ~ 60				
Bowl capacity	cc	9	60	60	100	100
Weight	kg	0.18	0.34	0.45	0.85	1.15
Material	Main body	Aluminum die cast				
	Bowl	Relieving type				

Flow rate characteristic graph



Note: The flow rate dropping might be caused by working environment with dirt and objects; filter element is suggested to replace from time to time.

NC

NFC

PSN-10
30,41

NFR

MFR

MFRD

NF

MF

MFD

NR

ARX

NPR

NL

N

DM

ERX

ERP

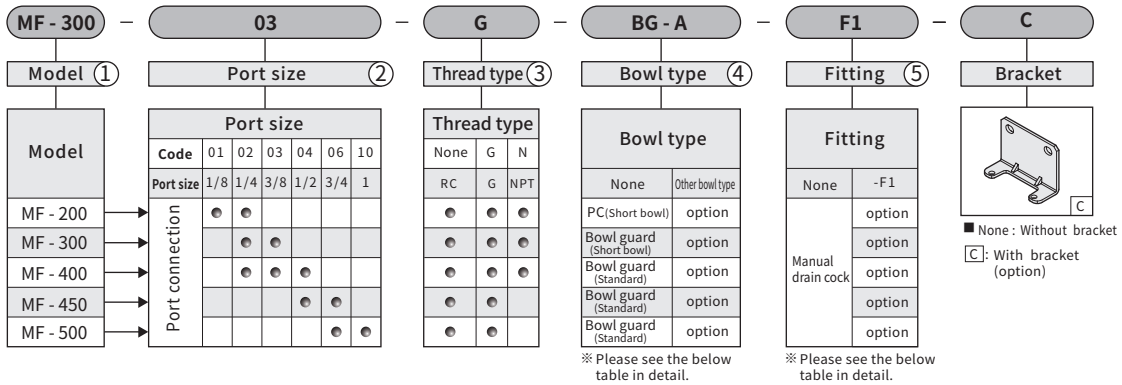
PG/AFB
NDV/AD

MF series Mist Separator

Code of order

CHELIC

Code of order



■ Bowl and Drain cock type ← (4)

● With Fitting - F1 ← (5)

■ MF-200 type - Bowl and Drain cock type - (4)

Bowl type	PC (Short bowl)		Bowl guard (Short bowl)		PC (Long bowl)	Bowl guard (Long bowl)	Metal (Long bowl)
	Manual drain cock	Differential pressure	Manual drain cock	Differential pressure	Auto drain	Auto drain	Auto drain
Model	-H	-A	-BG-H	-BG-A	-LG-A	-LBG-A	-LMG-H
MF-200	● (standard)	● (option)	● (option)	● (option)	● (option)	● (option)	● (option)

● MF-200 type - With Fitting - F1 (5)

MF-200	—	● (standard)	● (option)	● (standard)	● (option)	● (option)	—
Description		Note.1 (Fitting outside)	Note.1 (Fitting outside)	Note.1 (Fitting outside)	(PF1/8 Male thread)	(PF1/8 Male thread)	

■ MF-300~500 type - Bowl and Drain cock type - (4)

Bowl type	Bowl guard (Standard)			Bowl guard (Long bowl)		Metal (Long bowl)	
	Manual drain cock	Differential pressure	Auto drain	Manual drain cock	Auto drain	Manual drain cock	Auto drain
Model	-H	-S	-A	-LG-H	-LG-A	-MG-H	-MG-A
MF-300	● (standard short)	● (option)	—	● (option)	● (option)	● (option)	● (option)
MF-400	● (standard)	● (option)	● (option)	—	—	● (option)	● (option)
MF-450	● (standard)	● (option)	● (option)	—	—	● (option)	● (option)
MF-500	● (standard)	● (option)	● (option)	—	—	● (option)	● (option)

● MF-300~500 type - With Fitting - F1 - (5)

MF-300~500 Note	● (option)	● (option)	● (standard)	● (option)	● (standard)	● (option)	● (standard)
-----------------	------------	------------	--------------	------------	--------------	------------	--------------

- 🔍 Note : 1. MF200 series are outside fitting , others are inside fitting ; please refer to P.1-1.06 auto drain construction.
2. MF300 series are standard manual type. (-H Short bowl type)
3. (standard): Standard accessory; (option): Optional accessory.

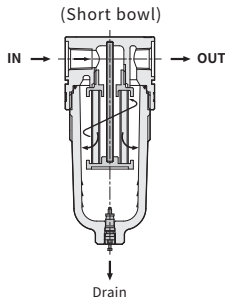
MF series Mist Separator

Product features

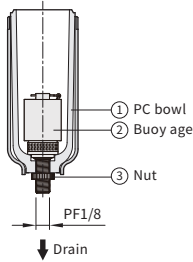
CHELIC

Internal structure

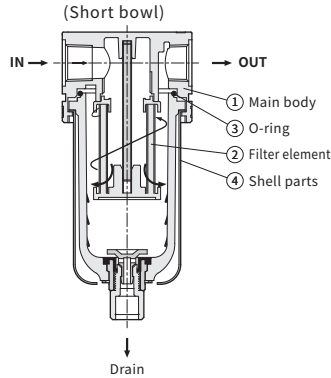
MF200



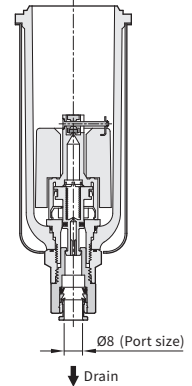
(Long bowl)
Float auto drainer (N.C)
Model: AD-25



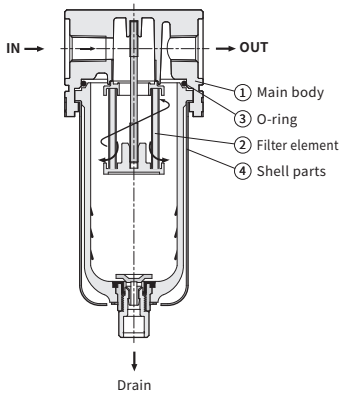
MF300



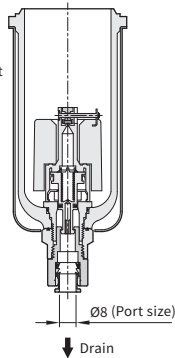
(Long bowl)
Float auto drainer (N.C)
Model: AD-50



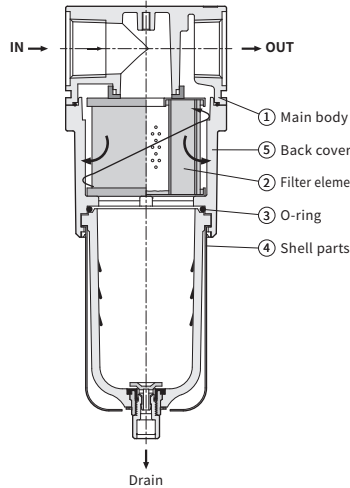
MF400, MF450



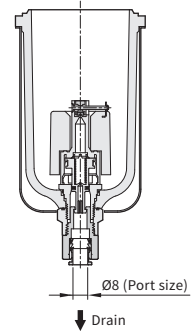
Float auto drainer (N.C)
Model: AD-55



MF500



Float auto drainer (N.C)
Model: AD-55



Component

Number	Accessory	Material		Note
		MF200, MF300, MF400, MF450	MF500	
1	Main body	Aluminum alloy		
5	Back cover	—	Aluminum alloy	

Replacement parts

Number	Accessory	Material					Note
		MF200	MF300	MF400	MF450	MF500	
2	Filter element	Sponge + EA30					
3	O-ring	NBR					
4	Shell parts	PC	PC+SS41				

🔍 Note: MF200 are included bowl guard. (Material : Aluminum alloy)
The shell parts in MF300-MF500 is included Bowl guard (Material : SS41)

NC

NFC

PSN-10
30,41

NFR

MFR

MFRD

NF

MF

MFD

NR

ARX

NPR

NL

N

DM

ERX

ERP

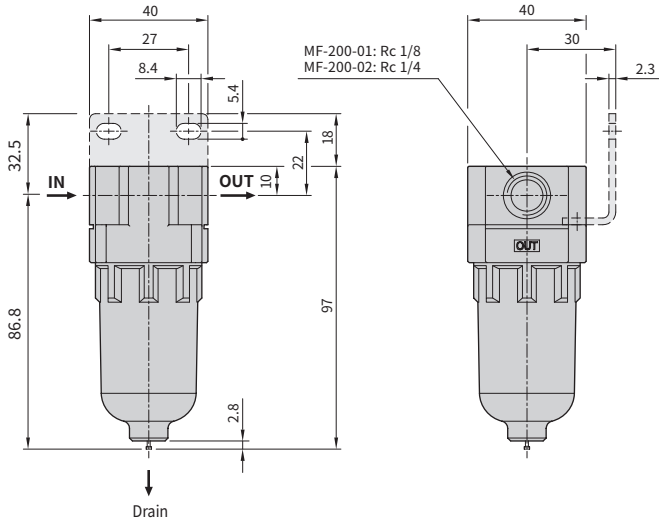
PG/AFB
NDV/AD

MF series Mist Separator

Dimensions

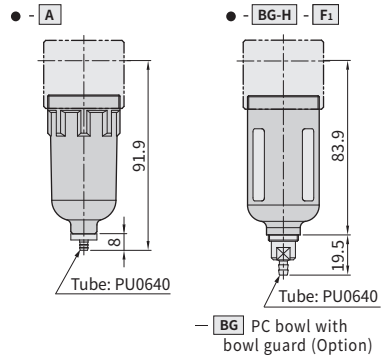
CHELIC

MF - 200 - [] - H

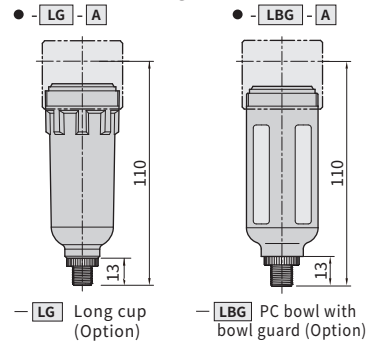


- H	- BG-H - F1	- A	- LG - A	- LBG - A
Manual drain cock (standard)	Manual drain cock (With bowl guard, Fitting)	Auto drain (Differential pressure should be above 1kg)	Auto drain (AD-25)	Auto drain (AD-25)
Button Push	Bowl guard Fitting Push			

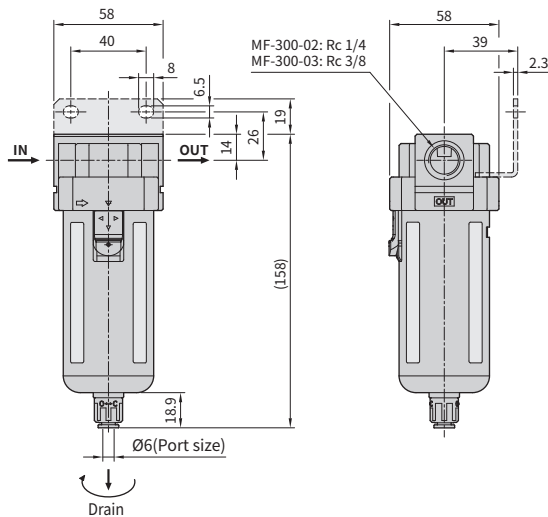
Manual drain cock-Standard



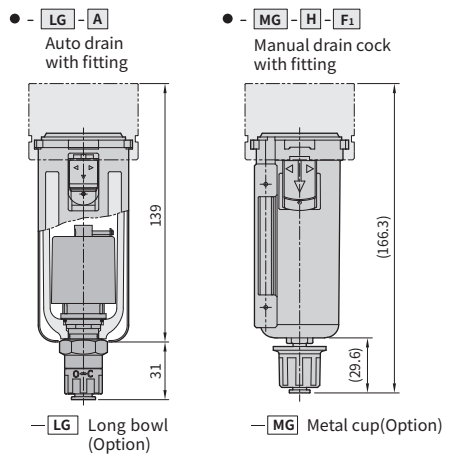
Auto drain-Long cup



MF - 300 - [] - H Standard



- H	- H-F1	- S	- S-F2	- A
Manual drain (Standard)	Manual drain cock with fitting (Option)	Semi-Auto drain (Option)	Semi-Auto drain with fitting (Option)	Auto drain (Option AD-35)
Rotate Turn left to drain	Rotate Turn left to drain	Rotate Turn left to drain	Rotate Turn left to drain	Float type



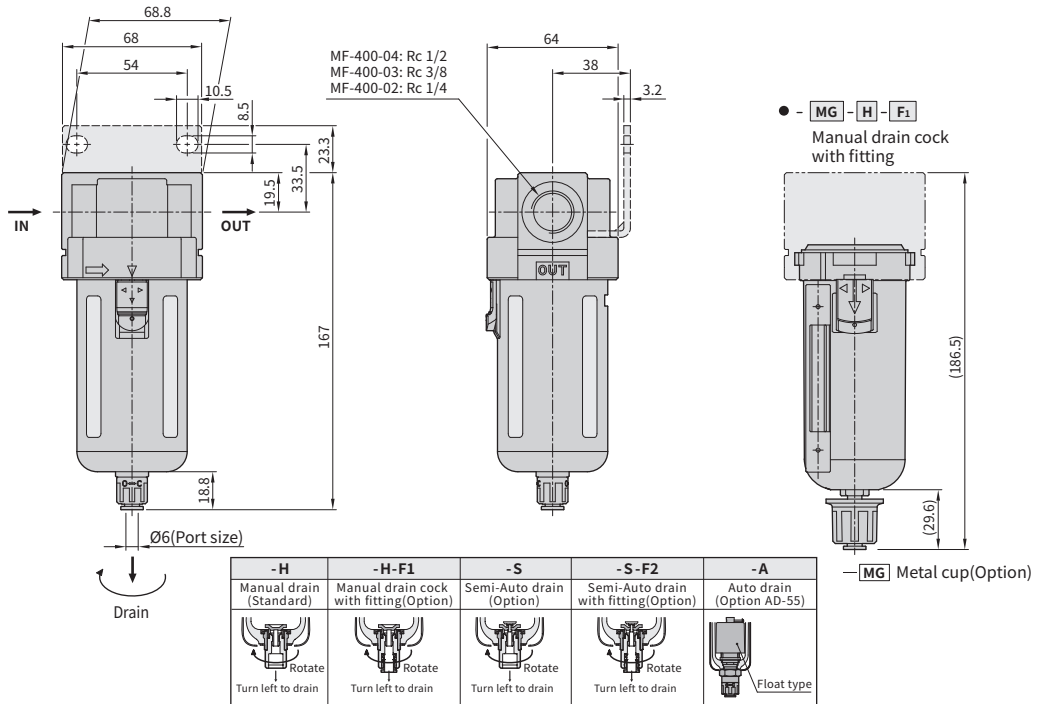
Note: Above auto drainer is AD-35.

MF series Mist Separator

Dimensions

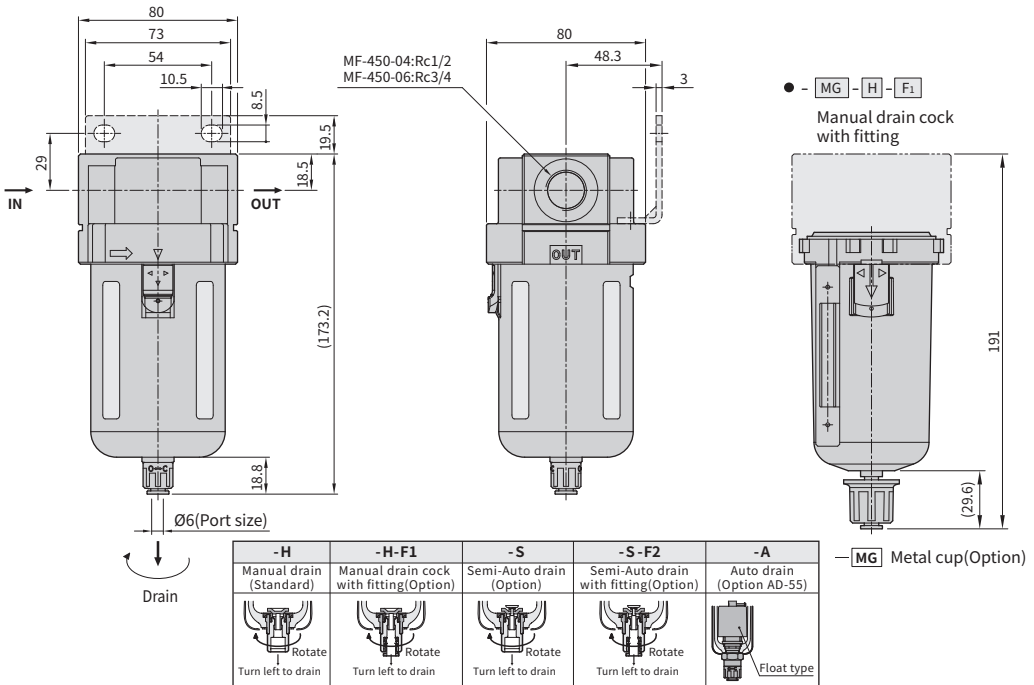
CHELIC

MF - 400 - H Standard



Note: Above auto drainer is AD-55.

MF - 450 - H Standard



Note: Above auto drainer is AD-55.

NC

NFC

PSN-10
30,41

NFR

MFR

MFRD

NF

MF

MFD

NR

ARX

NPR

NL

N

DM

ERX

ERP

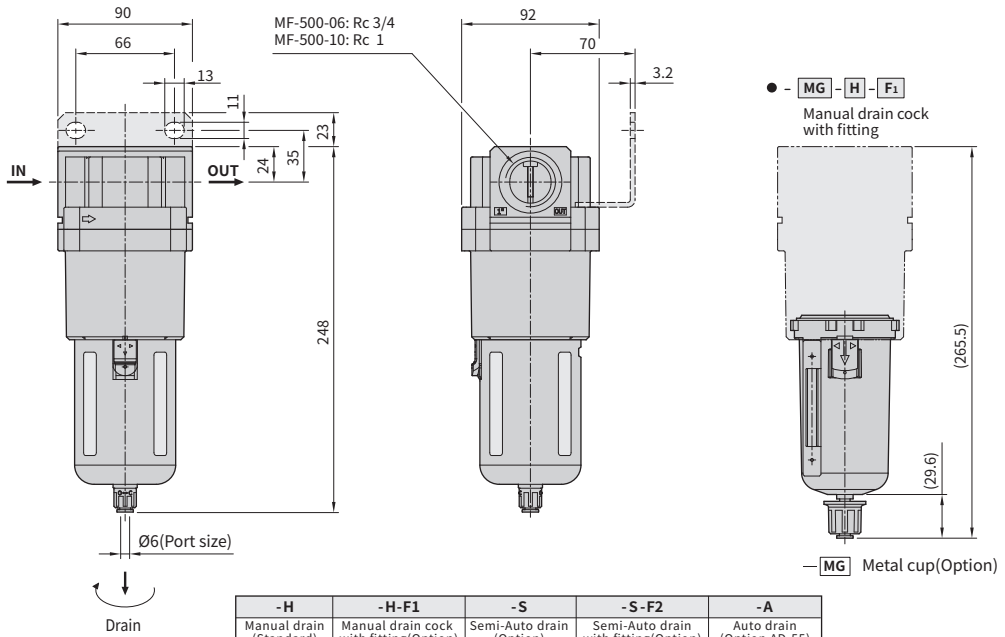
PG/AFB
NDV/AD

MF series Mist Separator

Dimensions

CHELIC

MF - 500 - H Standard



-H	-H-F1	-S	-S-F2	-A
Manual drain (Standard)	Manual drain cock with fitting (Option)	Semi-Auto drain (Option)	Semi-Auto drain with fitting (Option)	Auto drain (Option AD-55)
Rotate Turn left to drain	Rotate Turn left to drain	Rotate Turn left to drain	Rotate Turn left to drain	Float type

Note: Above auto drainer is AD-55.