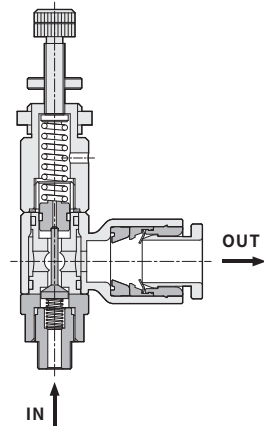


NPR 100 series - Miniature Regulator

Product features/ Code of order

CHELIC

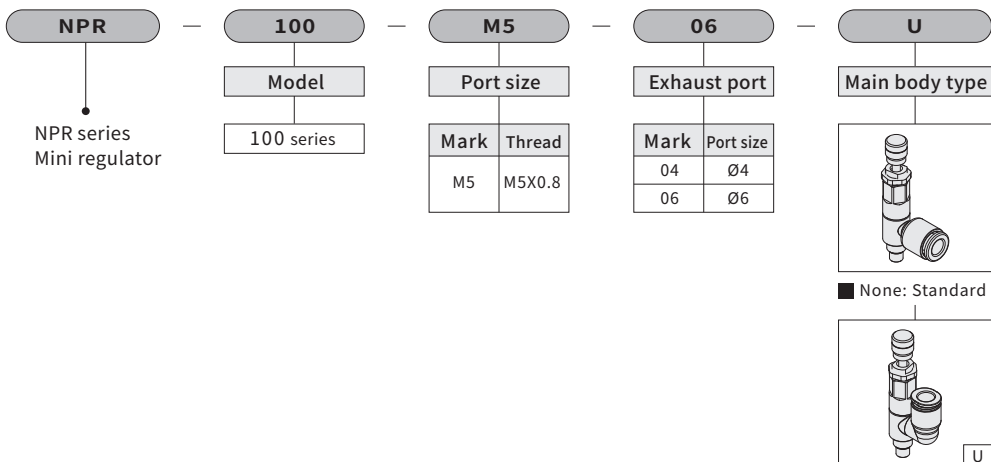
Internal structure



Specification

Item		Model	NPR - 100
Fluid			Air
Port size	IN		M5
	OUT		Ø6, Ø4
Pressure range	kgf/cm ² (kPa)		1 ~ 7 (100 ~ 700)
Max. operating pressure	kgf/cm ² (kPa)		8 (800)
Ambient and fluid temperature	°C		5 ~ 60
Weight	kg		0.019
Material	Main body (Inlet/Control)		Copper alloy lathe
	Main body (Outlet)		Nylon fiber

Code of order



NC

NFC

PSN-10
30,41

NFR

MFR

MFRD

NF

MF

MFD

NR

ARX

NPR

NL

N

DM

ERX

ERP

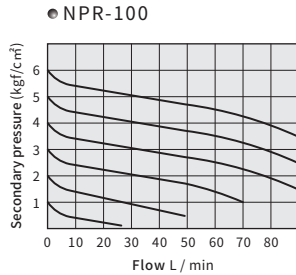
PG/AFB
NDV/AD

NPR 100 series - Miniature Regulator

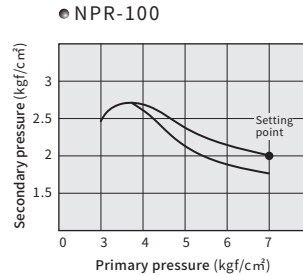
Product features

CHELIC

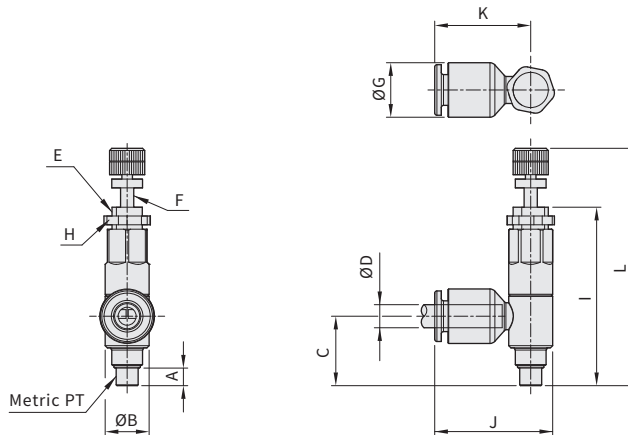
Flow rate characteristic graph



Pressure characteristics graph

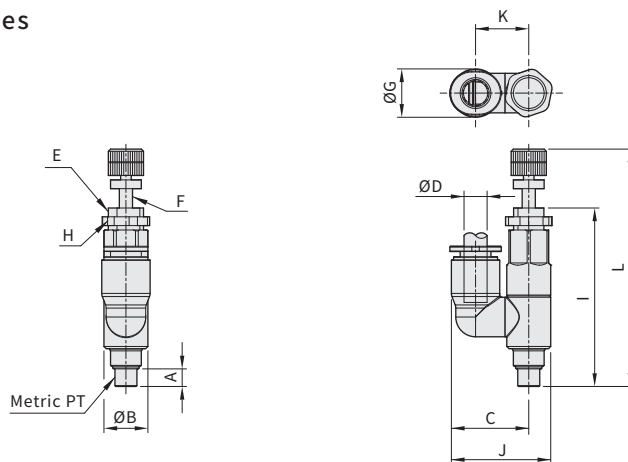


NPR-100 series



Port size ØD	Thread PT	Model	A	ØB	C	E	F	ØG	I	L		J	K	Cross H	Weight (g)
										max	min				
Ø4	M5	NPR-100-M5-04	4	10	15.8	M8x1.25p	M3x0.35p	10.5	40	54	48	24.9	19.9	10	19
Ø6	M5	NPR-100-M5-06	4	10	15.8	M8x1.25p	M3x0.35p	12.4	40	54	48	26.8	21.8	10	19

NPR-100-U series



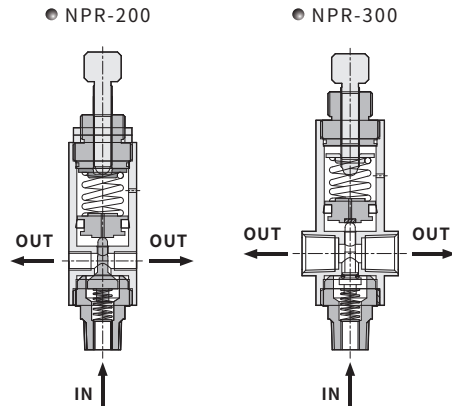
Port size ØD	Thread PT	Model	A	ØB	C	E	F	ØG	I	L		J	K	Cross H	Weight (g)
										max	min				
Ø4	M5	NPR-100-M5-04	4	10	15.4	M8x1.25p	M3x0.35p	9	40	54	48	20.4	10.9	10	18
Ø6	M5	NPR-100-M5-06	4	10	17.6	M8x1.25p	M3x0.35p	11	40	54	48	22.6	12.1	10	18

NPR 200/ 300 series - Miniature Regulator

Product features/ Code of order

CHELIC

Internal structure



Specification

Item		Model	NPR - 200	NPR - 300
Fluid			Air	
Port size	IN		Rc 1/8 (M5 Female thread)	
	OUT		M5	Rc 1/8
Pressure range	kgf/cm ² (kPa)		2~ 7 (200 ~ 700)	
Max. operating pressure	kgf/cm ² (kPa)		8 (800)	
Ambient and fluid temperature		°C	5 ~ 60	
Weight	kg		0.06	0.07
Material	Body		Aluminum alloy	
	P port fitting		Copper Alloy	

Code of order

NPR — **200** — **M5** — **PG01** — **C**

NPR series Mini regulator

Model

Port size

Thread type			
Mark	Inlet	Outlet	Model
M5	Rc1/8	M5	200
01	Rc1/8	Rc1/8	300

Pressure gauge

None: Without pressure gauge
 [PG01]: Pressure gauge NPR 200 (Option)
 [PG05]: Pressure gauge NPR 300 (Option)

Bracket

None: Without bracket
 [C]: Bracket (Option)

NC

NFC

PSN-10
30,41

NFR

MFR

MFRD

NF

MF

MFD

NR

ARX

NPR

NL

N

DM

ERX

ERP

PG/AFB
NDV/AD

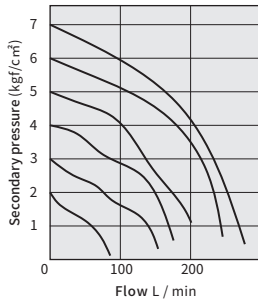
NPR 200/ 300 series - Miniature Regulator

Product features

CHELIC

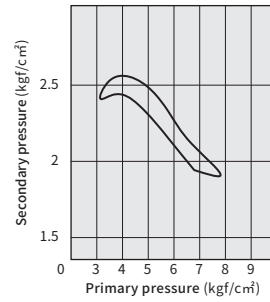
Flow rate characteristic graph

● NPR-200/ NPR-300

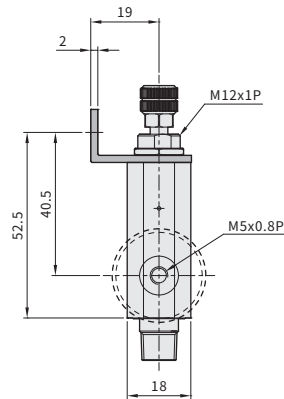
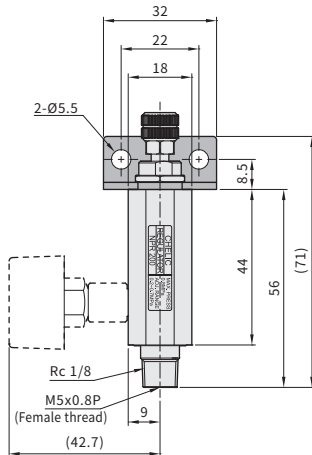


Pressure characteristics graph

● NPR-200/ NPR-300



▶ NPR - 200 - PG01A - C



▶ NPR - 300 - PG05A - C

