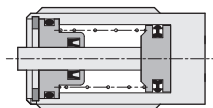
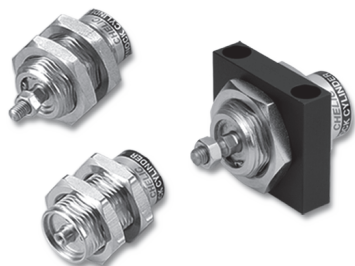


NA series Cartridge Cylinder

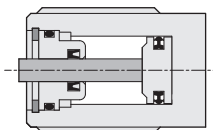
Product features

CHELIC

NA Internal structure



NAD Internal structure



Specification

Item	Model	NA	NAD
Action		Single acting	Double acting
Fluid		Air	
Pressure range	Kgf/cm ² (kPa)	1 ~ 7 (100 ~ 700)	
Max. service pressure	Kgf/cm ² (kPa)	9.5 (950)	
Ambient and fluid temperature	°C	0 ~ 60	
Operated speed	mm/s	50 ~ 500	
Mounting type		Panel mount, Flange mount	
Port size		M5x0.8	

Bore size and stroke

Item	Bore size	Stroke
NA	12	5, 10, 15
	16	
NAD	12	5, 10, 15
	16	

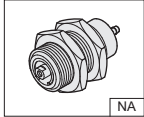
Theoretical output

Model	Bore size	Piston area cm ²	Operating	Air pressure kgf/cm ²						
				1	2	3	4	5	6	7
NA	12	1.1	Single acting (Normal in)	—	2.26	3.39	4.52	5.65	6.78	7.91
	16	2.0		—	4.02	6.03	8.04	10.05	12.06	14.07
NAD	12	1.1	Push	—	2.26	3.39	4.52	5.65	6.78	7.91
		0.9	Pull	—	1.69	2.54	3.39	4.24	5.08	5.93
	16	2.0	Push	—	4.02	6.03	8.04	10.05	12.06	14.07
		1.7	Pull	—	3.45	5.18	6.91	8.63	10.36	12.09

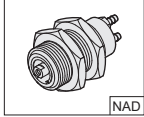
Code of order

NA × 16 × 10 - B - F

Model Bore size Stroke Thread type Mounting type



NA:
Single acting type

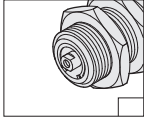


NAD:
Double acting type

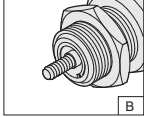
12 - Ø12 mm
16 - Ø16 mm

Fittings (SPA4-M5 or SPA6-M5) are not included and must be ordered separately.

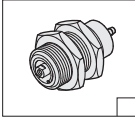
5 - 5 mm
10 - 10 mm
15 - 15 mm



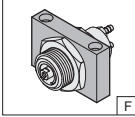
None:
Female thread



B: Male thread



None:
Standard



F: Flange mount

NA

NA2

NB

NU

ND

NQ

MSI

JQ

JD

JG

JTD

JTF

JCB

JCF

JE

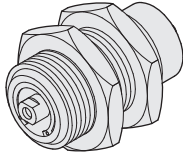
JM

NA series - Cartridge Cylinder

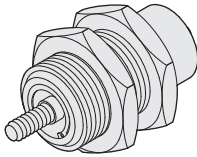
Product features

CHELIC

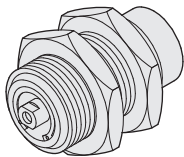
● Rod end type



- **NA** Rod end female thread NA -

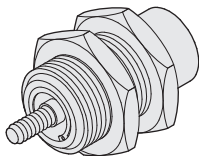


- **NA** Rod end male thread NA - B



- **NAD** Rod end female thread NAD -

- Without fitting

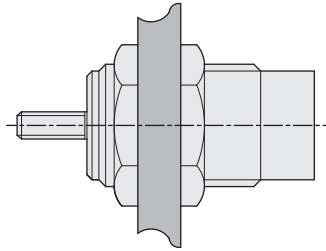


- **NAD** Rod end male thread NAD - B

- Fittings are not included and must be ordered separately.
(Optional parts)

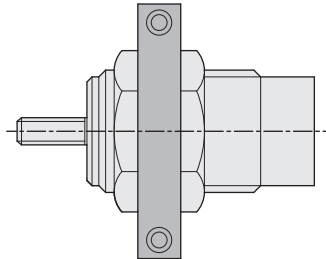
● Mounting type

- Panel mount



- Fittings are not included
(Fittings (SPA4-M5 or SPA6-M5) are not included
and must be ordered separately.)

- Flange mounting - F



- Mounting bracket included

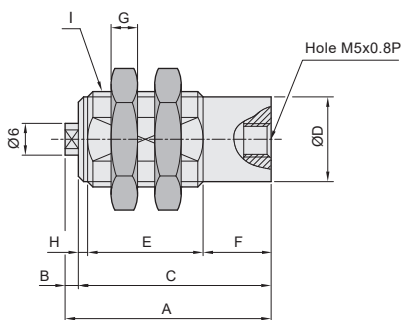
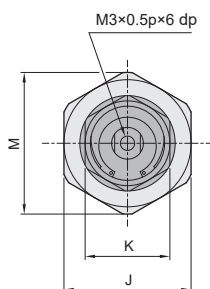
NA series Cartridge Cylinder

Dimensions

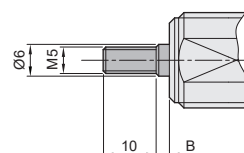
CHELIC

Standard (Panel mount)

NA Ø12, Ø16



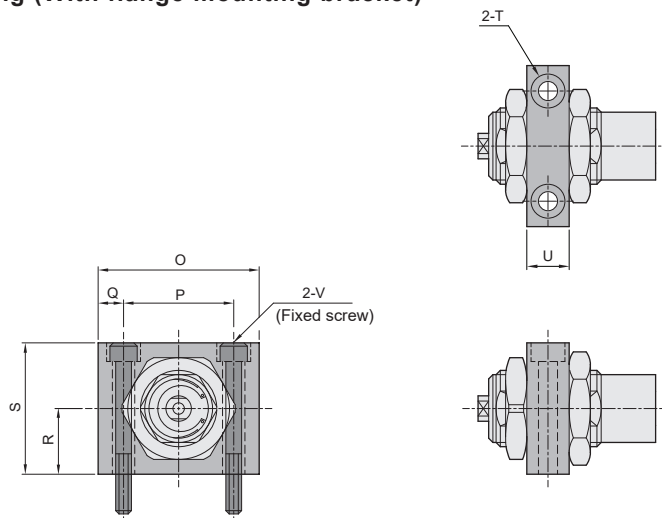
Male thread type dimensions - B



Bore size (mm)	A			B	C			D	E			F			G	H	I	J	K	M
	5	10	15		5	10	15		5	10	15	5	10	15						
12	29.1	34.1	39.1	2.65	26.4	31.4	36.4	16	16.8	21.8	26.8	7.85	7.85	7.85	5	1.75	M18x1.5P	24	16	26
16	29.1	34.1	39.1	1.6	27.5	32.5	37.5	20	18	23	28	7.7	7.7	7.7	5	1.8	M22x1.5P	29	20	33

Flange mounting (With flange mounting bracket)

NA [] - F



Bore size (mm)	O	P	Q	R	S	T	U	V
12	35	26	4.5	15	30	Ø4.5 Thru-hole, Hole Ø8 x 4.4 dp	10	2-Ø4.5 Through-Hole, hole Ø8x4.4 dp
16	40	30	5	17.5	35	Ø4.5 Thru-hole, Hole Ø8 x 4.4 dp	10	2-Ø4.5 Through-Hole, hole Ø8x4.4 dp

Note : Fixed screws are not included.

NA

NA2

NB

NU

ND

NQ

MSI

JQ

JD

JG

JTD

JTF

JCB

JCF

JE

JM

NA series Cartridge Cylinder

Dimensions

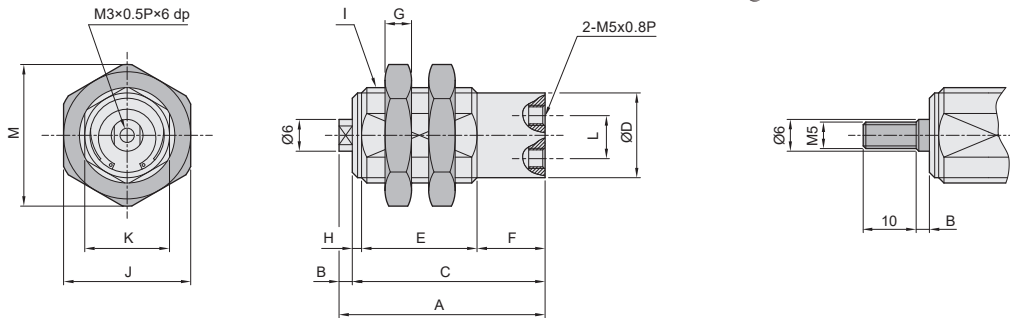
CHELIC

Standard (Panel mount)

NAD Ø12, Ø16



Male thread dimension - B

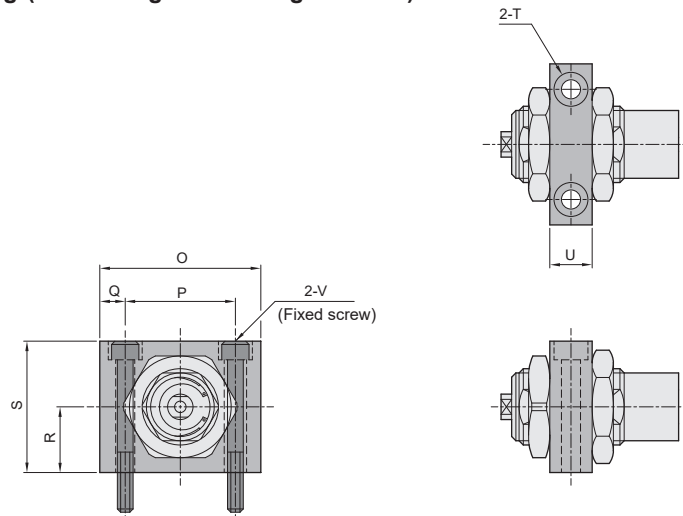


Unit: mm

Bore size (mm)	A			B	C			D	E			F			G	H	I	J	K	L	M
	5	10	15		5	10	15		5	10	15	5	10	15							
12	28.5	33.5	38.5	2	26.5	31.5	36.5	19.5	16.7	21.7	26.7	8.1	8.1	8.1	5	1.7	M22x1.5P	29	19.5	11.4	33
16	29.1	34.1	39.1	1.6	27.5	32.5	37.5	23	18.6	23.6	28.6	7.2	7.2	7.2	5	1.7	M26x1.5P	32	23	15	36

Flange mounting (With flange mounting bracket)

NAD - F



Unit: mm

Bore size (mm)	O	P	Q	R	S	T	U	V
12	40	30	5	17.5	35	Ø4.5 Thru-hole, Hole Ø8 x 4.4 dp	10	2-Ø4.5 Through-Hole, hole Ø8x4.4 dp
16	44	34	5	19.5	39	Ø4.5 Thru-hole, Hole Ø8 x 4.4 dp	10	2-Ø4.5 Through-Hole, hole Ø8x4.4 dp

Note : Fixed screws are not included.