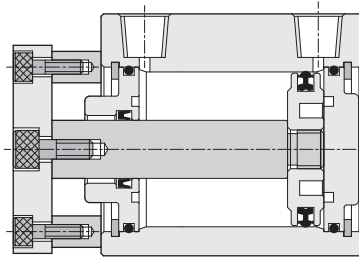
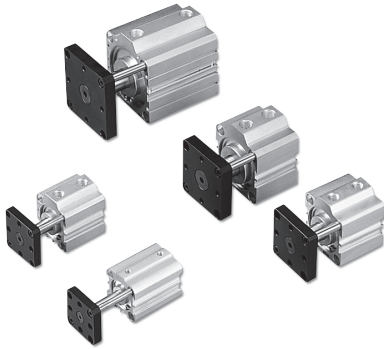


JTD series Guide Cylinder

Product features

CHELIC

Internal structure

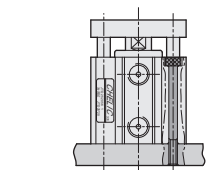


Standard stroke

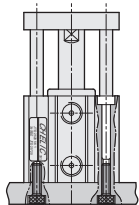
Bore size (mm)	Standard type (Without magnet)									Standard type (With magnet)							
	10	20	30	40	50	60	75	85	100	10	20	30	40	50	65	75	90
20	●	●	●	●	●	●	—	—	—	●	●	●	●	●	—	—	—
25	●	●	●	●	●	●	—	—	—	●	●	●	●	●	—	—	—
32	●	●	●	●	●	●	●	—	—	●	●	●	●	●	●	—	—
40	●	●	●	●	●	●	●	—	—	●	●	●	●	●	●	—	—
50	●	●	●	●	●	●	●	●	●	●	●	●	●	●	●	●	●
63	●	●	●	●	●	●	●	●	●	●	●	●	●	●	●	●	●

※ Note: Non-standard stroke is special made, calculate at the multiple of 10 and use the decimal system length inner processing treatment.

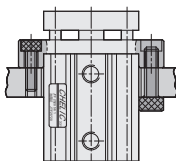
Mounting type (Reference)



● Vertical mounting type

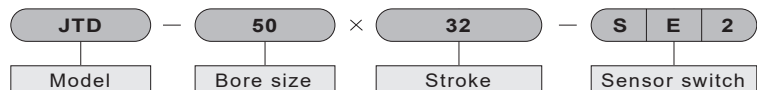


● Bottom mounting type

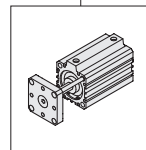


● Front flange mounting type

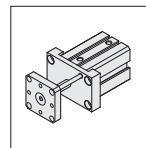
Code of order



Model



JTD:
Guide Cylinder



JTF:
Flange Type
Guide Cylinder

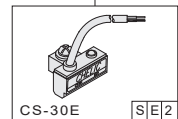
Bore size

20 - Ø20 mm
25 - Ø25 mm
32 - Ø32 mm
40 - Ø40 mm
50 - Ø50 mm
63 - Ø63 mm

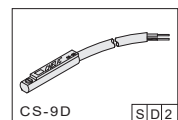
Stroke

Ø20 - 10 ~ 60 mm
Ø25 - 10 ~ 60 mm
Ø32 - 10 ~ 75 mm
Ø40 - 10 ~ 75 mm
Ø50 - 10 ~ 100 mm
Ø63 - 10 ~ 100 mm

Sensor switch



CS-30E S E 2
None: Without magnet
S: With magnet
E: Sensor switch code (CS-30E)
2: Number of sensor switch
1 = 1 PCS
2 = 2 PCS



CS-9D S D 2
None: Without magnet
S: With magnet
D: Sensor switch code (CS-9D)
B: Sensor switch code (CS-9B)
2: Number of sensor switch
1 = 1 PCS
2 = 2 PCS

Note

● S: With magnet mark " S "

NA

NA2

NB

NU

ND

NQ

MSI

JQ

JD

JG

JTD

JTF

JCB

JCF

JE

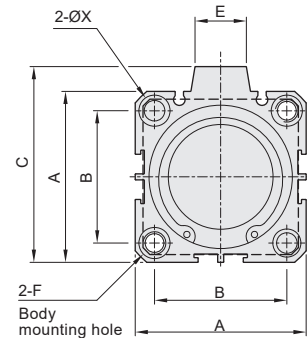
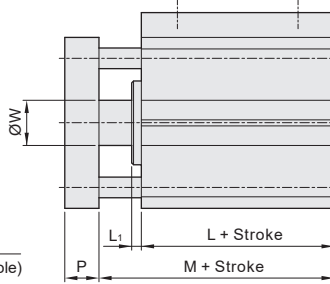
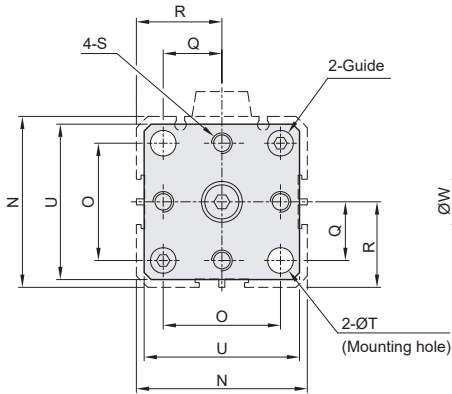
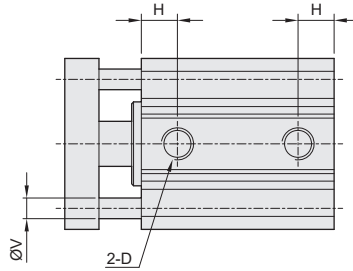
JM

JTD series Guide Cylinder

Dimension

CHELIC

● JTD Ø20 ~ Ø63



Bore size	A	B	C	D	E	F	H
20	34	24	—	M5 x 0.8P	—	Thru-hole Ø4.3, Thread M5x0.8Px6 dp; Pole hole Ø7x5 dp	7.5
25	40	28	—	M5 x 0.8P	—	Thru-hole Ø5.1, Thread M6x1Px8 dp; Pole hole Ø8x6 dp	8
32	44	34	50	PT 1/8	13.6	Thru-hole Ø5.1, Thread M6x1Px8 dp; Pole hole Ø8x6 dp	9
40	52	40	58	PT 1/8	13.6	Thru-hole Ø6.8, Thread M8x1.25Px11 dp; Pole hole Ø9.5x8 dp	10
50	62	48	71	PT 1/4	19	Thru-hole Ø6.8, Thread M8x1.25Px10 dp; Pole hole Ø11x8.5 dp	10.85
63	75	60	84.5	PT 1/4	20.5	Thru-hole Ø6.8, Thread M8x1.25Px10 dp; Pole hole Ø11x8.5 dp	11

Bore size	L	L1	M	N	O	P	Q	R	S	T	U	V	W	X
20	29.5	1.5	35	34	24	8	12	17	M6 x 1.0P	6.5	33	5	8	5.5
25	31.2	1.9	37.2	40	28	8	14	20	M6 x 1.0P	6.5	39	6	10	6.5
32	34	3.3	41.5	44	34	10	17	22	M6 x 1.0P	6.5	43	6	12	6.5
40	36.5	3.3	44	52	40	12	20	26	M8 x 1.25P	9	51	8	16	9
50	38.6	3.9	47.6	62	48	14	24	31	M8 x 1.25P	9	61	8	20	8.5
63	42.5	3.8	51.5	75	60	14	30	37.5	M8 x 1.25P	9	74	8	20	8.5

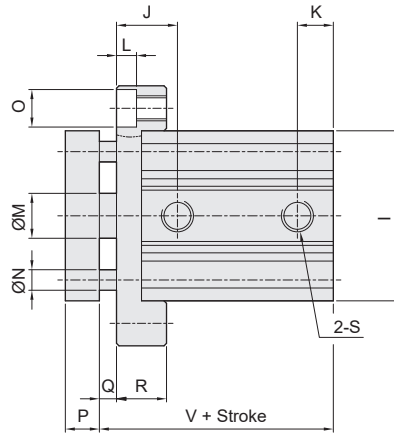
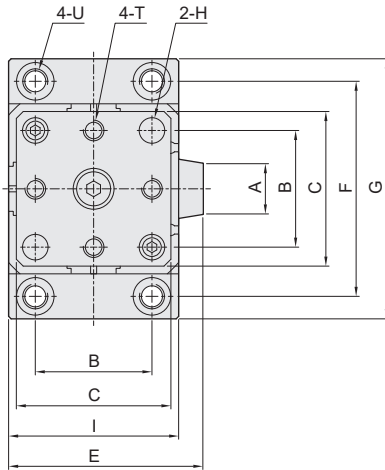
※Note: L, M dimension are the spec. with magnet. Without magnet, the length of body reduces 10mm.

JTF series Flange Type Guide Cylinder

Dimension

CHELIC

● JTF Ø20 ~ Ø63



Bore size	A	B	C	E	F	G	H	I	J	K	L	M	N	O	P	Q	R	S	T	U	V
20	—	24	33	—	43	52	6.5	34	12.5	7.5	4	8	5	7.5	8	0.5	10	M5×0.8P	M6×1.0P	M5×0.8	35
25	—	28	39	—	50	60	6.5	40	13.5	8	5	10	6	9	8	0.5	10	M5×0.8P	M6×1.0P	M6×1.0	37.2
32	13.6	34	43	50	54	64	6.5	44	16	9	5	12	6	9	10	0.5	10	PT 1/8	M6×1.0P	M6×1.0	41.5
40	13.6	40	51	58	64	76	9	52	17	10	6	16	8	11	12	0.5	12	PT 1/8	M8×1.25P	M8×1.25	44
50	19	48	61	71	74	86	9	62	19	10.85	6	20	8	11	14	0.5	12	PT 1/4	M8×1.25P	M8×1.25	47.6
63	20.5	60	74	84.5	87	99	9	75	19.5	11	6	20	8	11	14	0.5	12	PT 1/4	M8×1.25P	M8×1.25	51.5

※Note: V dimension are the spec. with magnet. Without magnet, the length of body reduces - 10mm.

NA

NA2

NB

NU

ND

NQ

MSI

JQ

JD

JG

JTD

JTF

JCB

JCF

JE

JM