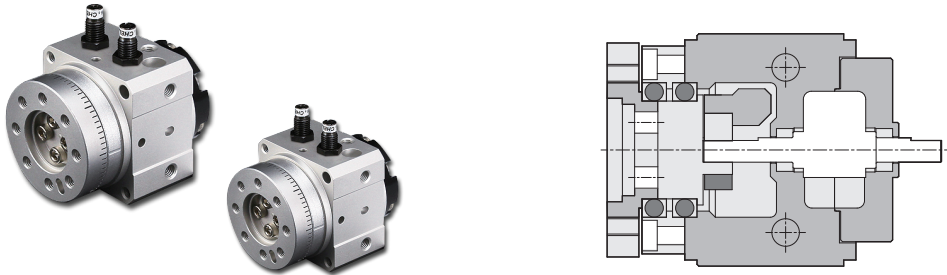


# RMF series Rotary Table

## Product features

CHELIC

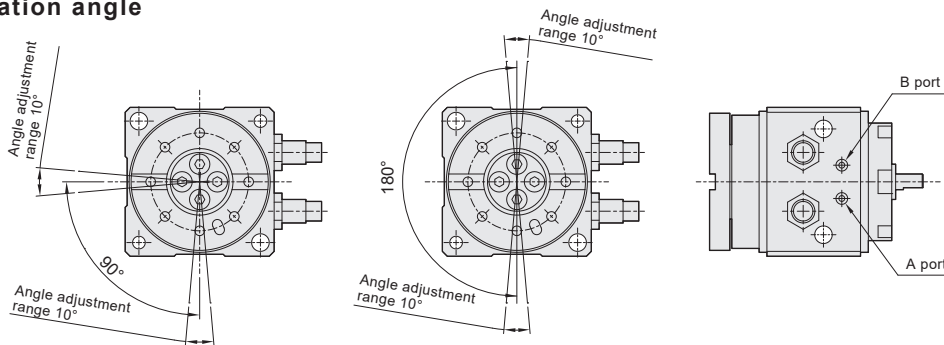
### Internal structure



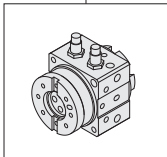
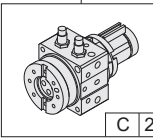
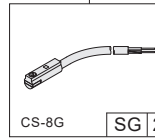
### Specification

Item	Model (mm)	RMF10	RMF15	RMF20	RMF30	RMF40	RMF50
Action		Double acting					
Fluid		Air					
Torque force	N · m	0.14	0.38	0.78	1.8	3.8	5
Rotation angle		90° 180°					
Port size		M5x0.8P					1/8
Pressure range	Kgf/cm <sup>2</sup> (kPa)	2~7(200~700)	1.5 ~ 7 ( 150 ~ 700 )				
Ambient and fluid temperature	°C	5 ~ 60					
Allowable kinetic energy	J	0.005	0.013	0.032	0.056	0.1	0.2

### Rotation angle



### Code of order

<b>RMF</b>	<b>10</b>	×	<b>180</b>	-	<b>C</b>   <b>1</b>	-	<b>SG</b>   <b>1</b>
Model	Torque force		Rotation angle		Sensor bracket		Sensor switch
	10 : 0.14 N·m 15 : 0.38 N·m 20 : 0.81 N·m 30 : 1.8 N·m 40 : 3.8 N·m 50 : 5 N·m		90 - 90° 180 - 180°				

RMF series  
Rotary cylinder

None: Standard type  
**C**: Sensor bracket  
**2**: 1 = 1 PCS 2 = 2 PCS

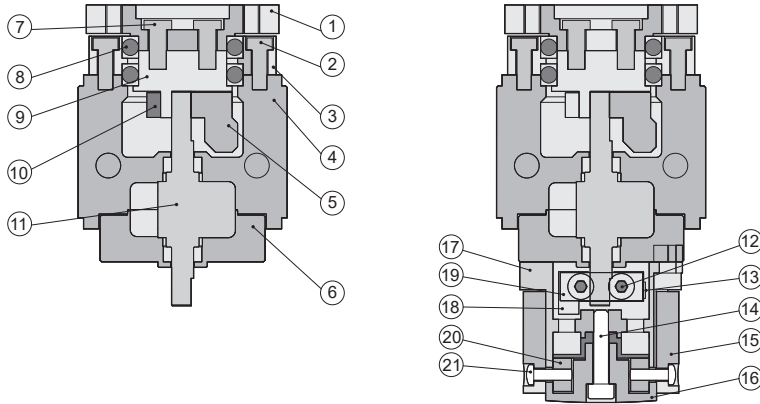
None: Without sensor switch  
**SG**: Sensor switch mark (CS-8G)  
**2**: 1 = 1 PCS 2 = 2 PCS

# RMF series Rotary Table

## Product features

CHELIC

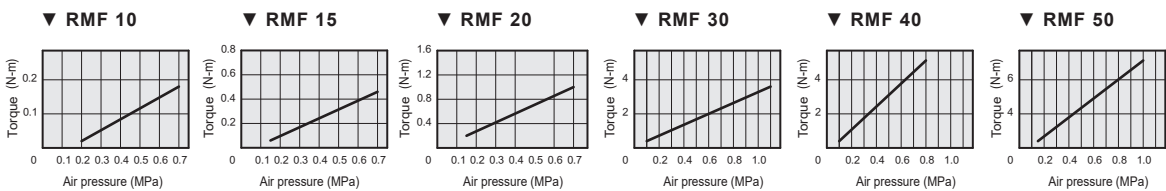
### Internal structure



### Components and material list

No.	Item	Material	No.	Item	Material	No.	Item	Material
01	Rotating plate	Aluminum alloy	08	Bearing	Bearing steel	15	Sensor switch holder	Aluminum alloy
02	Hexagon socket screw	Alloy steel	09	Connector	Iron	16	Rear cover	Aluminum alloy
03	Bearing cover	Aluminum alloy	10	Hexagon socket screw	Alloy steel	17	Sensor base	Alloy
04	Top cover	Aluminum alloy	11	Rotary unit shaft	Alloy steel	18	Sensor base block	Stainless steel
05	Spacer block	Alloy steel	12	Hexagon socket screw	Alloy steel	19	Base block spacer	Stainless steel
06	End cover	Aluminum alloy	13	Magnet	Rare earth material	20	Holder block	Aluminum alloy
07	Hexagon socket screw	Alloy steel	14	Hexagon socket screw	Alloy steel	21	Round head screw	Alloy steel

### Effective output



### Allowable load

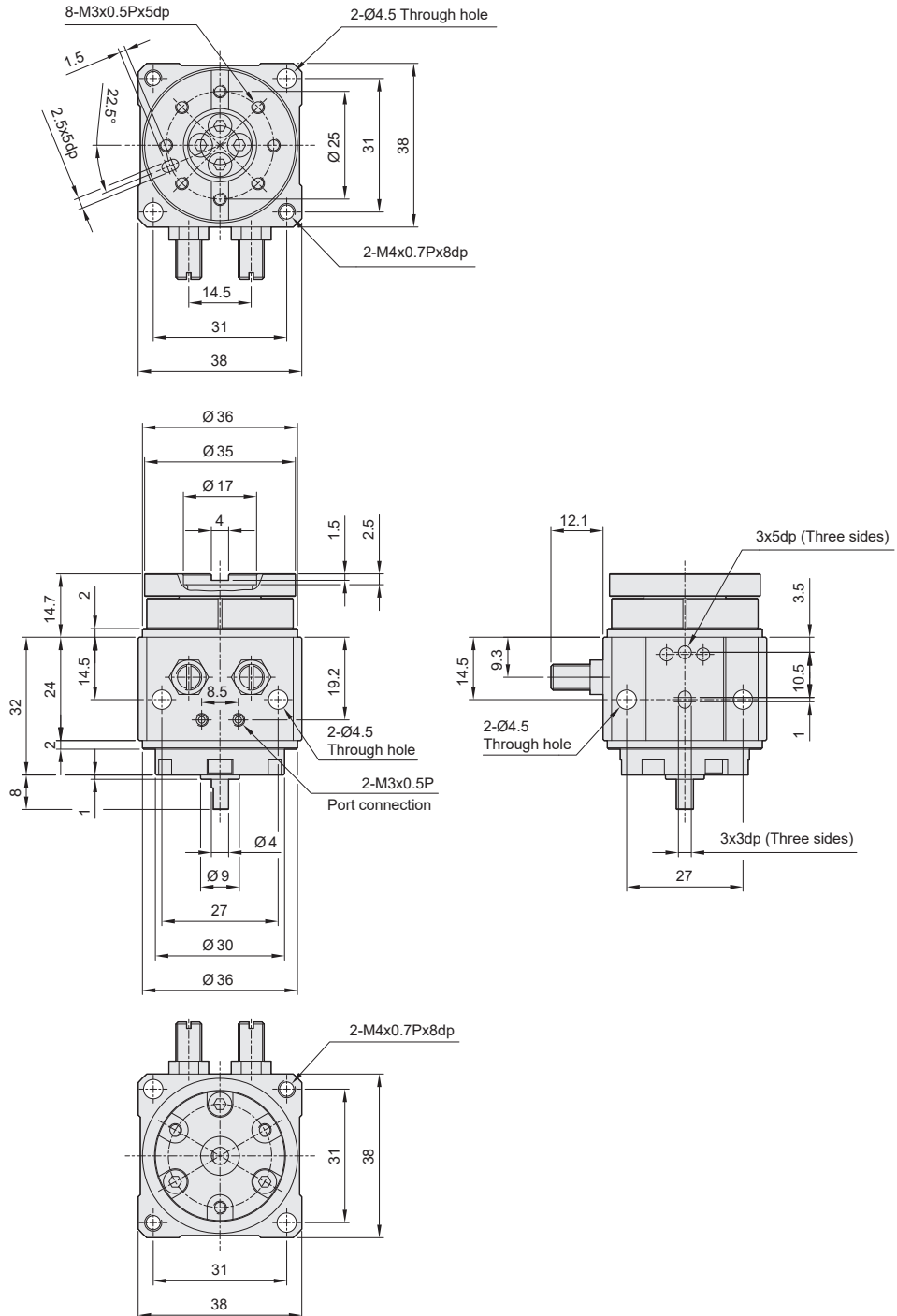
Model	Loding way			Allowable torque (N.m)
	Side load (N)	Vertical load(N)		
		(a)	(b)	
RMF10	20	8	13	0.3
RMF15	40	10	25	0.7
RMF20	50	25	50	0.9
RMF30	60	35	70	2.9
RMF40	70	45	90	7
RMF50	90	60	110	9.5

# RMF series Rotary Table

## Dimensions

CHELIC

### RMF 10

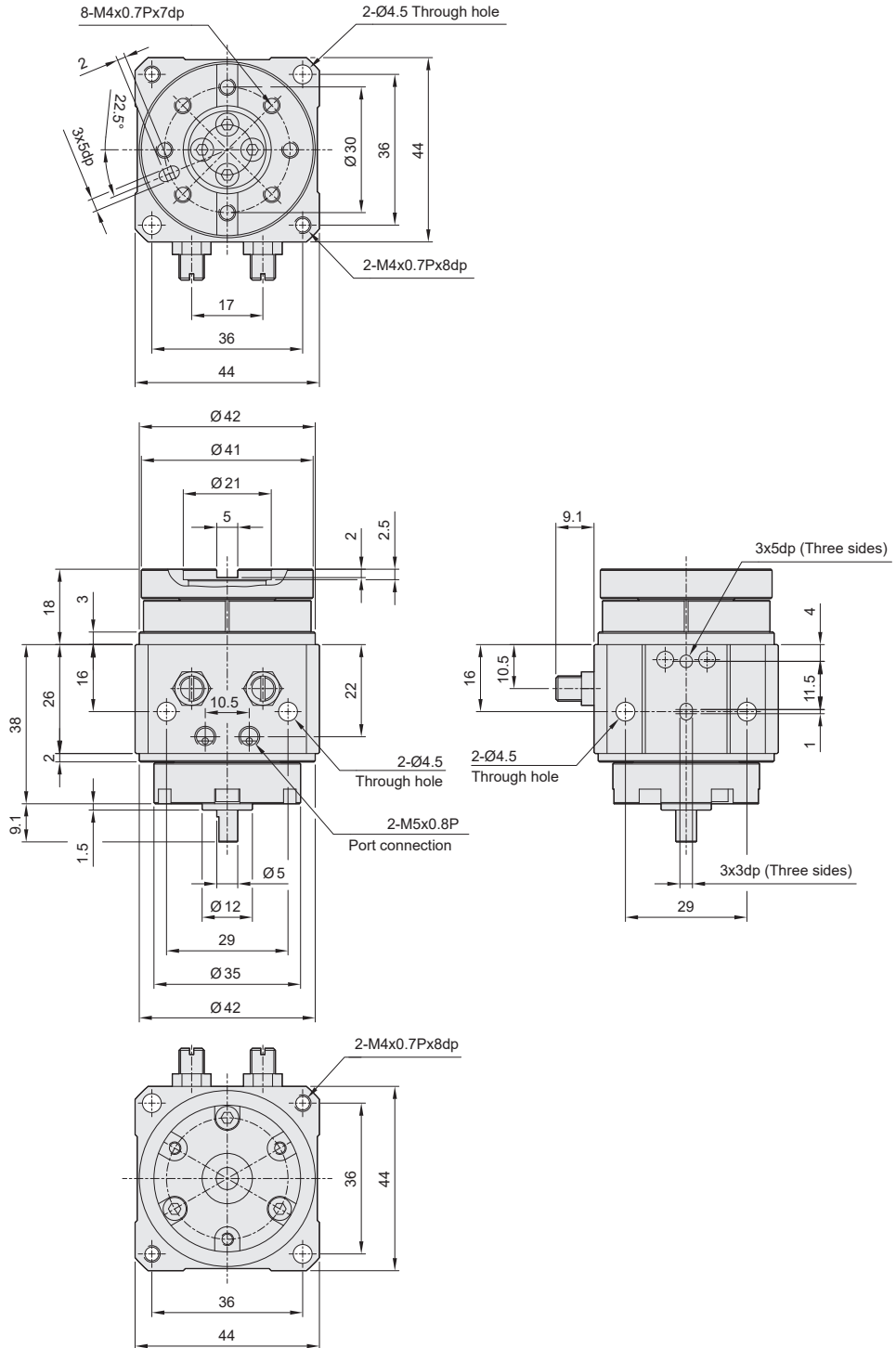


# RMF series Rotary Table

## Dimensions

CHELIC

### RMF 15



RTM

RMF

RTB

RTBM

RTZB

RTP

RTH

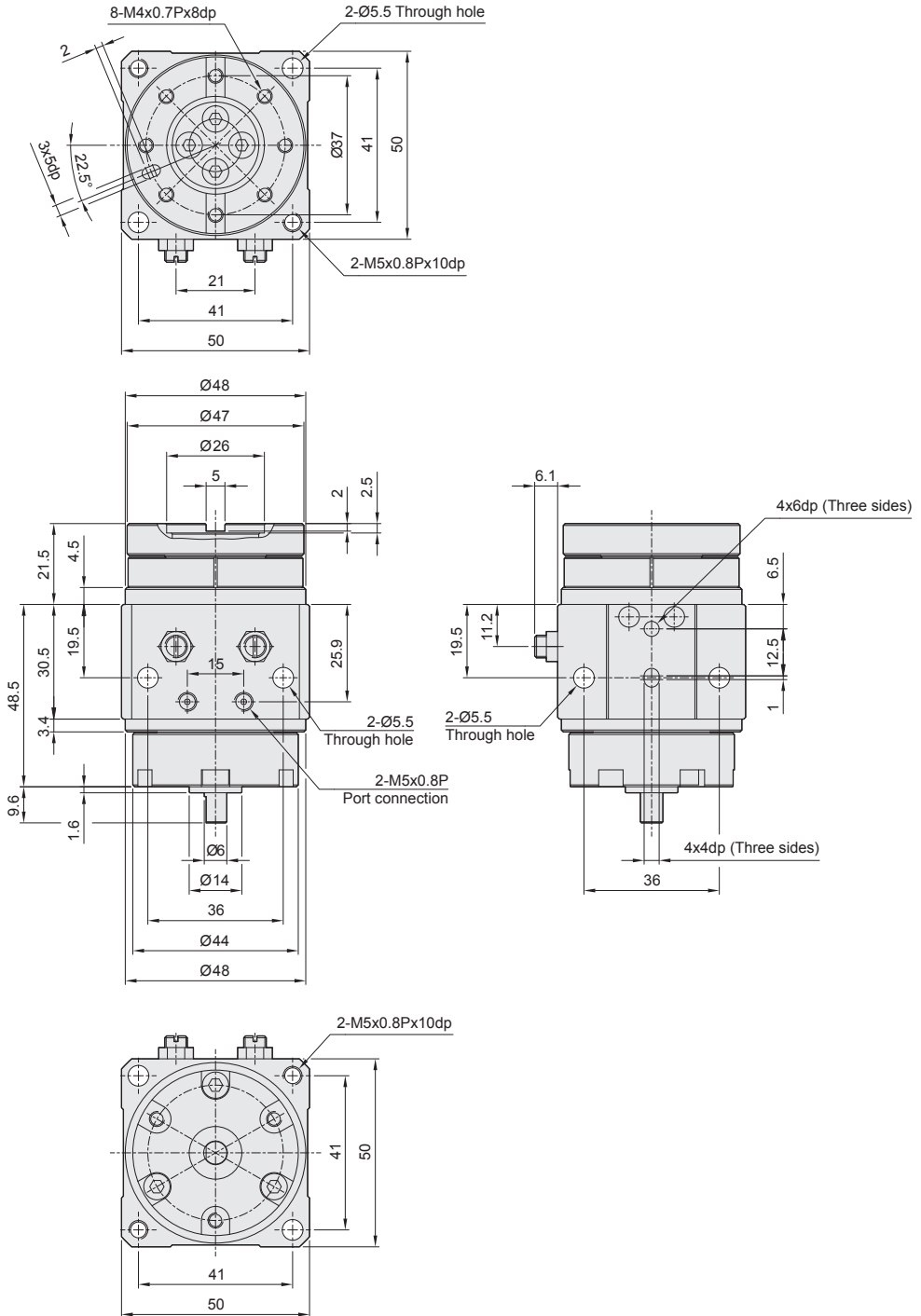
RTU

# RMF series Rotary Table

## Dimensions

CHELIC

### RMF 20

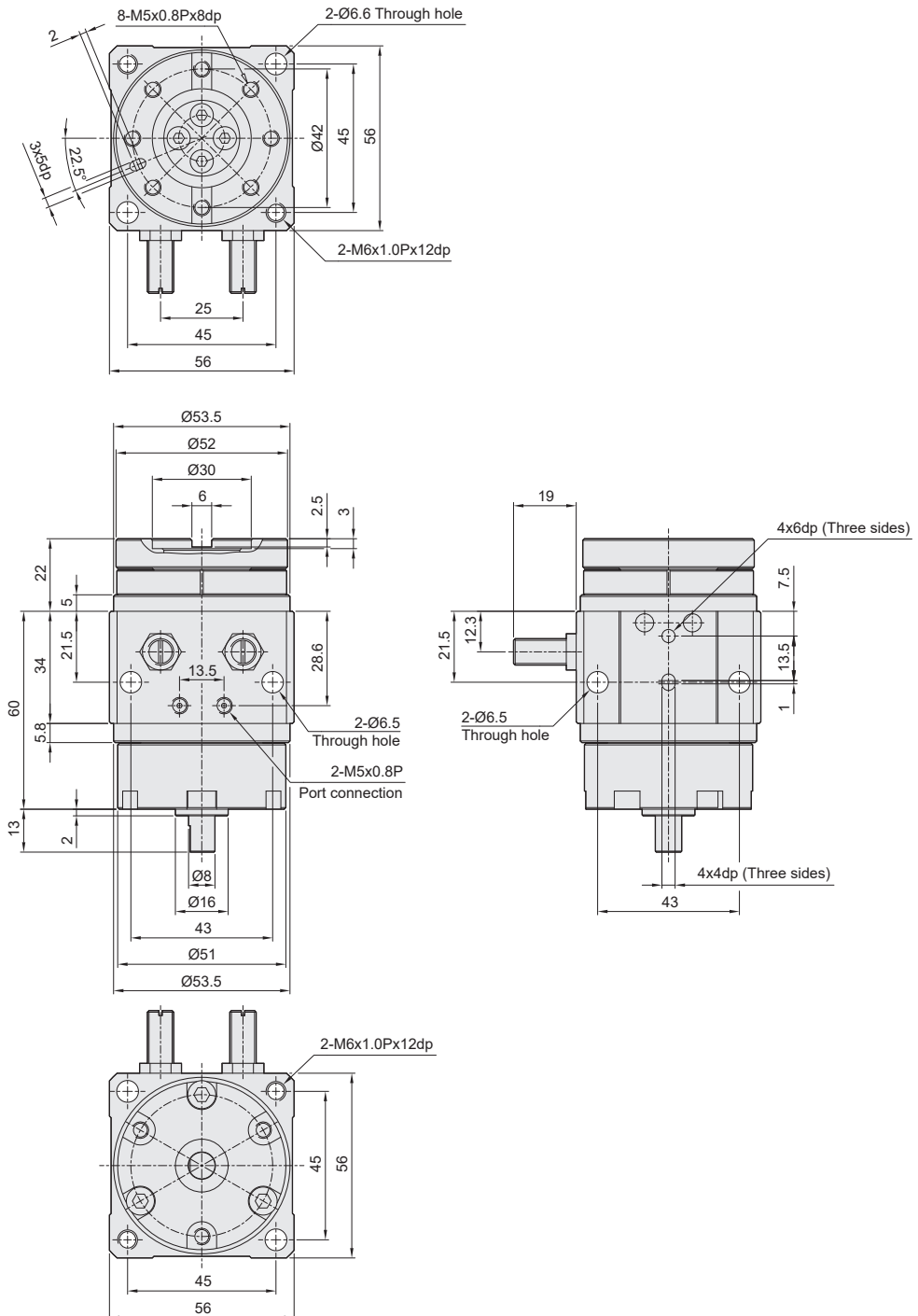


# RMF series Rotary Table

## Dimensions

CHELIC

### RMF 30



RTM

RMF

RTB

RTBM

RTZB

RTP

RTH

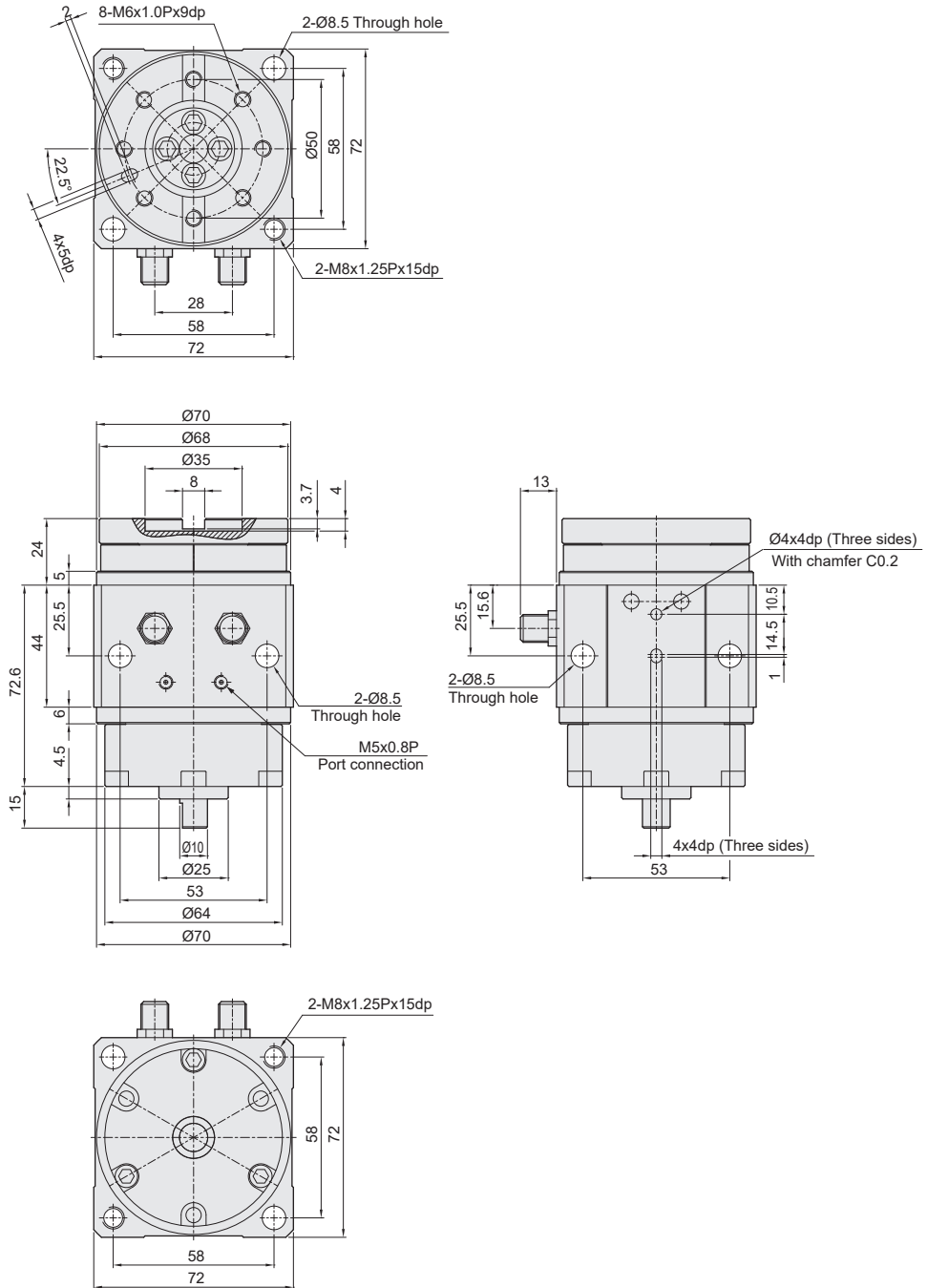
RTU

# RMF series Rotary Table

## Dimensions

CHELIC

### RMF 40

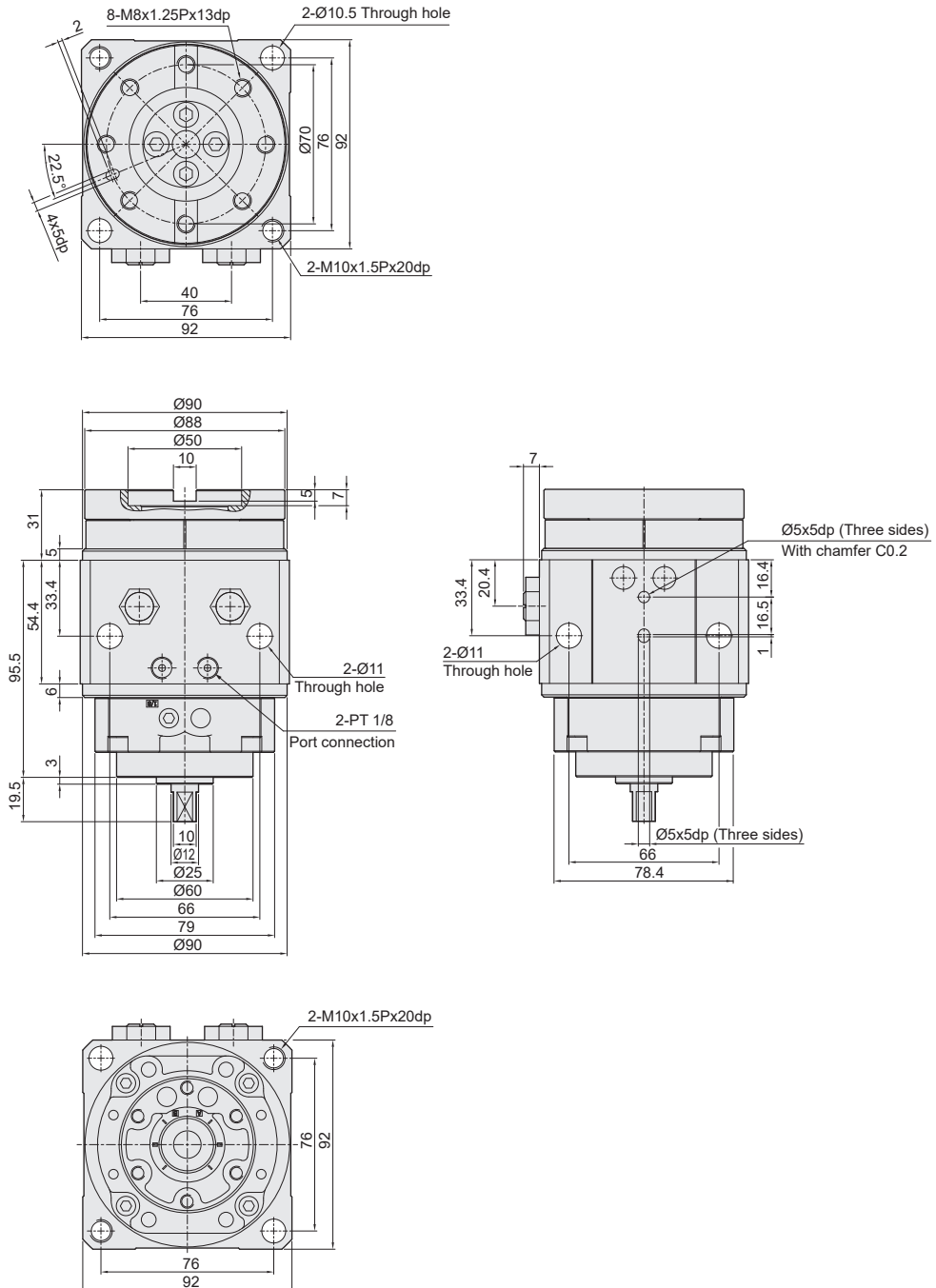


# RMF series Rotary Table

## Dimensions

CHELIC

### RMF 50



RTM

RMF

RTB

RTBM

RTZB

RTP

RTH

RTU



# RMF series Rotary Table

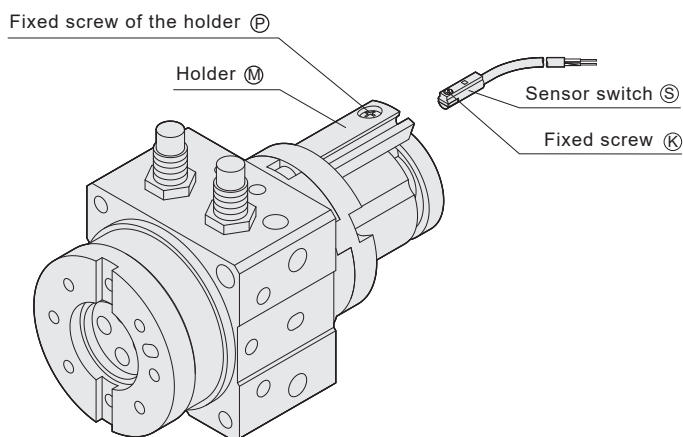
## Sensor switch operating range and the setting

CHELIC

### ▶ Sensor switch adjustment on rotary cylinder

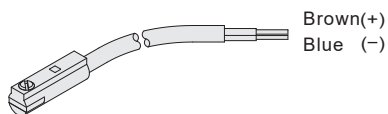
#### ◎ Method of adjustment :

- 1. Loosen the Fixed screw of the holder (P) to allow sliding both sides.
- 2. Insert the sensor switch (S) into Holder (M) to flush with bottom, and then tighten the fixed screw (K).
- 3. Adjust the Holder (M) to desired angle, and then tighten the Fixed screw of the holder (P).



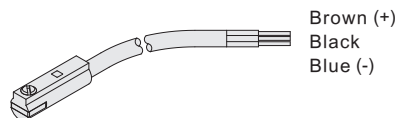
### ▶ Sensor switch introduction

#### CS-8G



Voltage: DC 5V ~ 30V  
AC 5V ~ 30V

#### CS-8GN(P)



Voltage: DC 4.5V ~ 28V