

HER series Dual Rod Type Rotary Clamp Cylinder

Product features/ Code of order

CHELIC

Internal structure



Specification

Item	Bore size (mm)	Ø20	Ø25	Ø32	Ø40
Action		Double acting			
Fluid		Air			
Max. operating pressure	kgf/cm ² (kPa)	10.3 (1030)			
Pressure range	kgf/cm ² (kPa)	1 ~ 7 (100~ 700)			
Rotary stroke	mm	9		11	
Clamp stroke	mm	13		15	
Body material		Aluminum alloy			
Rotation angle	°	90±2			

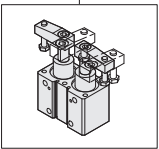
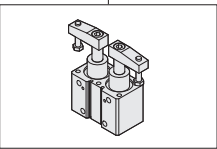
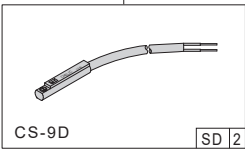
Product weight

Unit: kg

Bore size	Ø20	Ø25	Ø32	Ø40
Weight	0.4	0.5	1.0	1.37

※ It does not include the weight of clamp.

Code of order

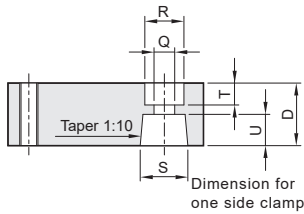
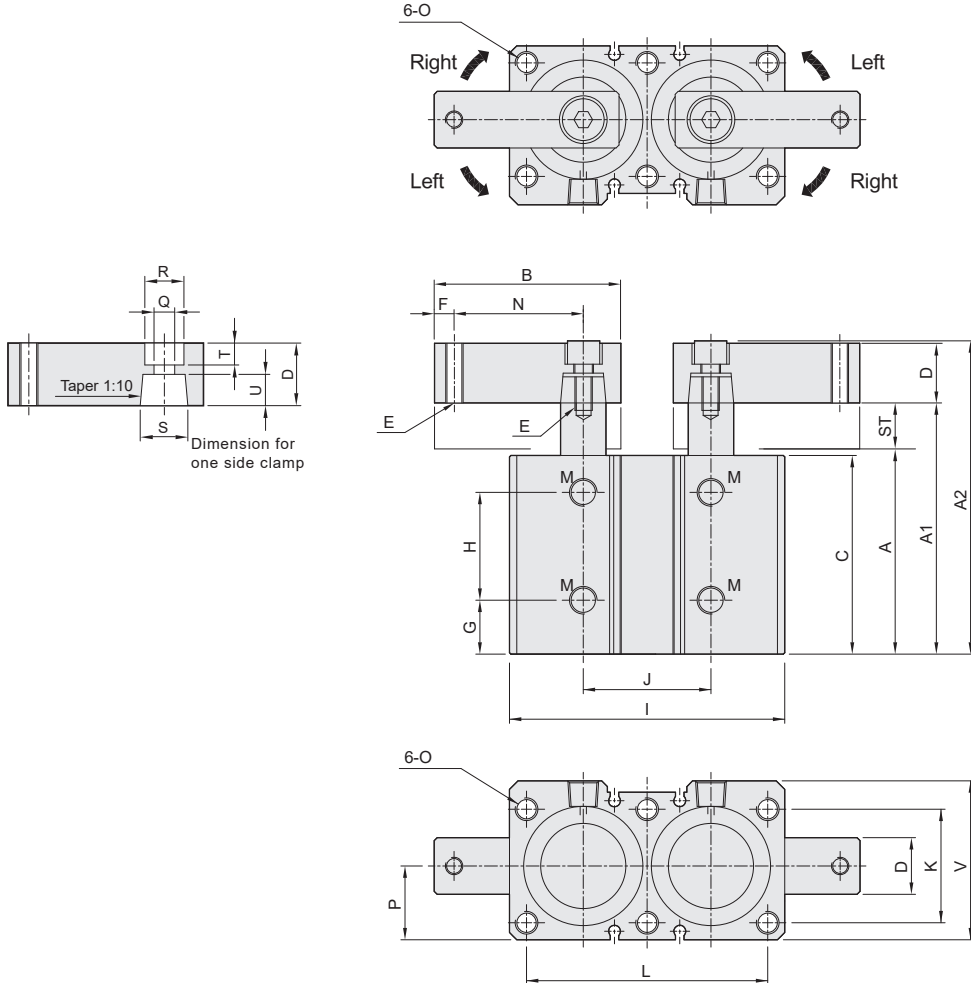
HER	25	×	13	-	SD	2
Model	Bore size		Stroke		Sensor switch	
	20-Ø20mm 25-Ø25mm 32-Ø32mm 40-Ø40mm					
			Press stroke (Not include rotation storke)		CS-9D SD 2	
			Ø20-13mm Ø25-13mm Ø32-15mm Ø40-15mm		[SD]: Sensor switch code (CS-9D) [SB]: Sensor switch code (CS-9B) [SH]: Sensor switch code (CS-9H) [SDP]: Sensor switch code (CS-9DPNP)	
					[2]: Number of sensor switch 1 = 1 PCS 2 = 2 PCS (option)	

HER series Dual Rod Type Rotary Clamp Cylinder

Dimensions

CHELIC

HER Ø20 ~ Ø40



Bore size	ST	A	A1	A2	B	C	D	E	F	G	H	I	J
Ø20	22	67	89	(105.9)	50	65	□ 15.9	M6x1.0	6	13	39	59	26
Ø25	22	67	89	(105.9)	50	65	□ 15.9	M6x1.0	6	13	39	72	32
Ø32	26	82	108	(128)	70	78	□ 19	M8x1.25	8	14	51	82	38
Ø40	26	82	108	(128)	75	78	□ 19	M8x1.25	8	14	51	97	45

Bore size	K	L	M	N	O	P	Q	R	S	T	U	V
Ø20	24	49	M5x0.8P	35	M5x0.8	17	Ø6.8	Ø11	Ø12	5	8.5	34
Ø25	30	60	M5x0.8P	35	M6x1.0	20	Ø6.8	Ø11	Ø14	5	8.5	40
Ø32	34	72	PT 1/8	50	M6x1.0	22	Ø9	Ø14	Ø16	7	9.5	48
Ø40	40	85	PT 1/8	55	M8x1.25	26	Ø9	Ø14	Ø16	7	9.5	56

SCR(L)

HER

HGR(L)

HSR(L)

HBR(L)

HFR(L)

HFK

HCK

HLK

HUR(L)

HUK

HN □

HS □

HCF

HCS

HQC