

VHS series Integrated Type Vacuum Ejector

Product features

CHELIC

Feature

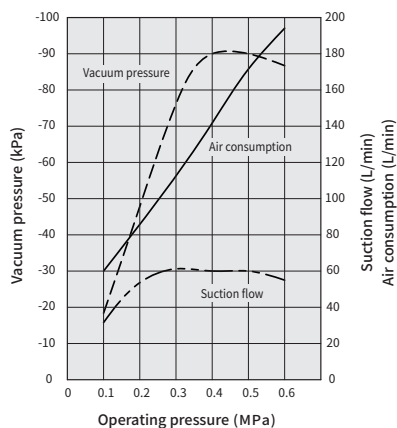
- Vacuum ejector combined with vacuum pad.
- Built-in one-touch fittings, easy piping.
- Multiple choices for models or pad types.



Specification

Item	Model	VHS
Fluid		Air
Pressure range	MPa(kPa)	0.3~0.7 (300~700)
Proof pressure	MPa(kPa)	0.5 (500)
Max. vacuum degree	kPa(mmHg)	-90 (-675)
Nozzle diameter	mm	1.5
Max. suction flow	L/min	60
Ambient and fluid temperature	°C	0 ~ 50
Material		Aluminum(anodized treatment)
Max. adsorption weight	kg	8

Characteristic graph



Product weight

Model	Weight(g)
VHS-01-60	226
VHS-02-A25-N	507
VHS-03-A25-N	718
VHS-04-A25-N	960

EV

EVM

VA□

VM□

VM□U

VHS

VSL

VKM

VKMT

VCK

VK20□

VK30□

VQ20□

VFD

VFM

VFU

ERV

ERVL

MVS

DYC

VHS series Integrated Type Vacuum Ejector


Code of order

CHELIC

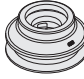
Code of order **VHS 01 - 60 - N**

1 2 3

1

Mark	Model	Image
01	Pad type	

2

Mark	Pad type	
	Pad diameter (mm)	Vacuum pad Double layers
60	Ø60	

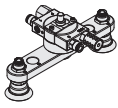
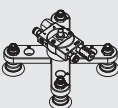
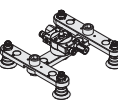
3

Mark	Pad material	Color
N	NBR	Black
S	Silicon, Silicon rubber	White
SE	Anti-static rubber	Black

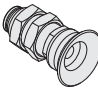
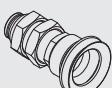
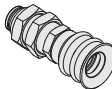
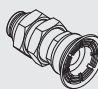
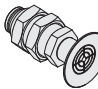
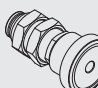
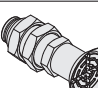
Code of order **VHS 02 - A20 - N**

1 2 3

1

Mark	Model	Image
02	Linear type	
03	Cross type	
04	H type	

2

Mark	Pad diameter (mm)	Pad type
A20	Ø20	 1-Stage
A25	Ø25	
B20	Ø20	 2-Stage
C20	Ø20	 3-Stage
O20	Ø20	 Anti-slip type
P20	Ø20	 Flat type
Q20	Ø20	 Mark-free
G20	Ø20	 Film type
G25	Ø25	

3

Mark	Pad material	Color
N	NBR	Black
S	Silicon, Silicon rubber	White
SE	Anti-static rubber	Black

VHS series Selection table:

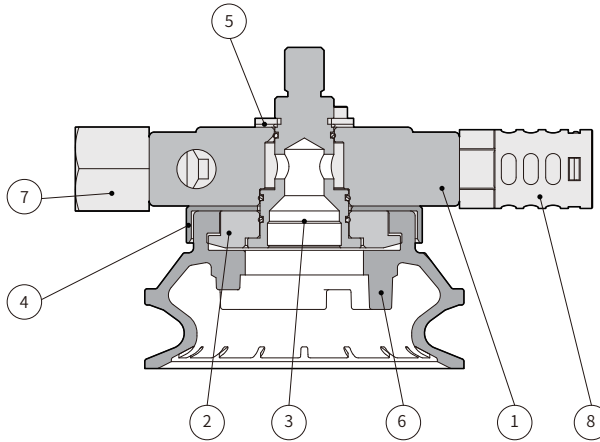
Item	1	2	3
	Model	Pad type	Pad material
VHS	01	60	N
	02	A20	N • S • SE
	03	A25	
	04	B20	
		C20	
		G20	
		G25	
		O20	
		P20	
		Q20	
	G25		

VHS series Integrated Type Vacuum Ejector

Product features

CHELIC

Internal structure



Components and Material list

No.	Item	Material	No.	Item	Material
01	Body	Aluminum alloy	05	Plate	Stainless steel
02	Base	Aluminum alloy	06	Vacuum pad	NBR
03	Bolt	Steel	07	Nozzle	Aluminum alloy
04	Holder	Aluminum alloy	08	Silencer	POM

EV

EVM

VA□

VM□

VM□U

VHS

VSL

VKM

VKMT

VCK

VK20□

VK30□

VQ20□

VFD

VFM

VFU

ERV

ERVL

MVS

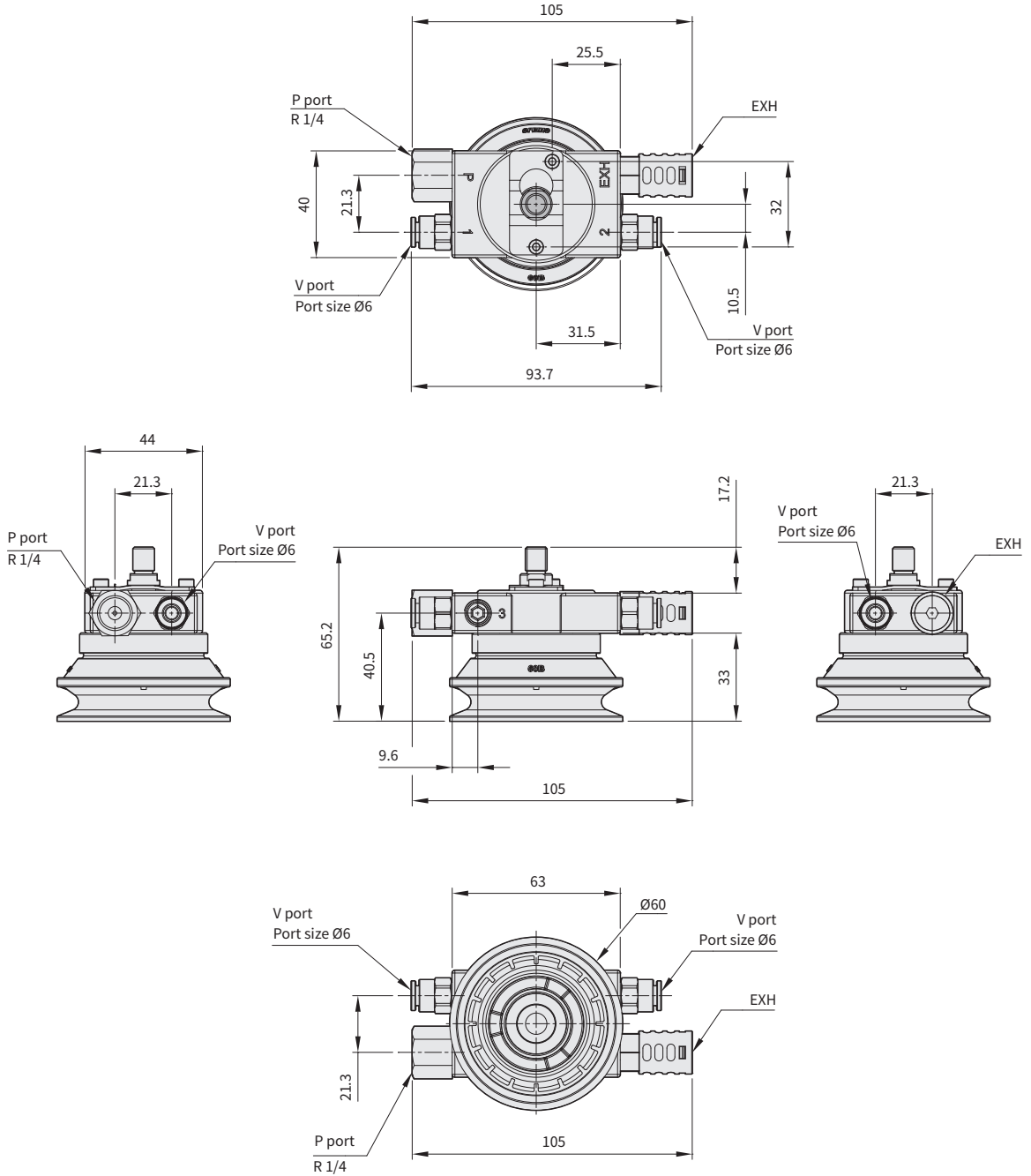
DYC

VHS series Integrated Type Vacuum Ejector

Dimensions

CHELIC

VHS-01-60

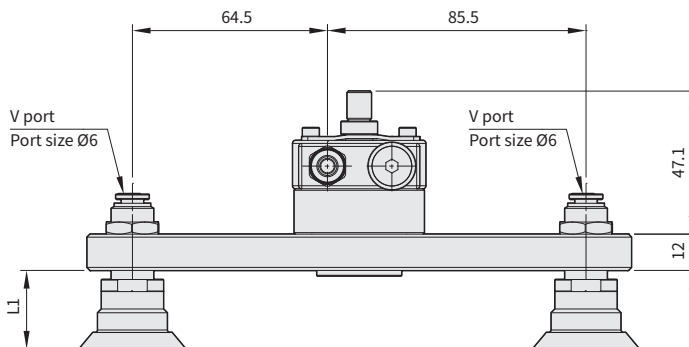
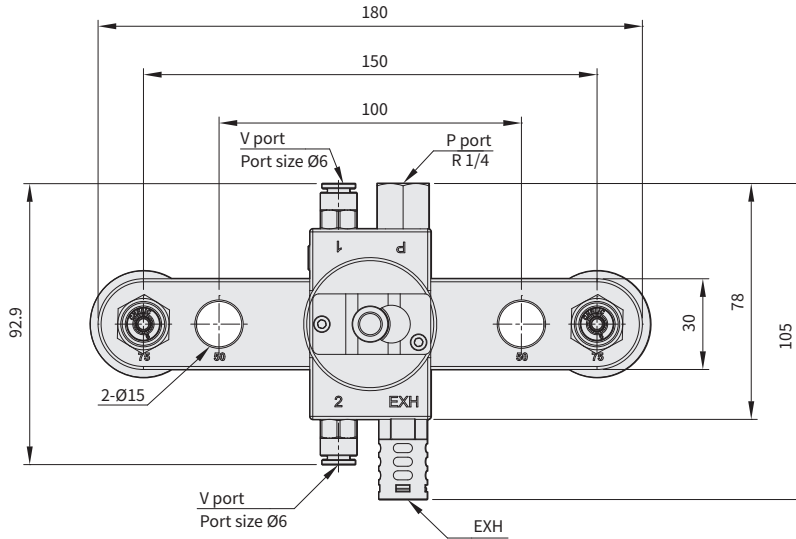


VHS series Integrated Type Vacuum Ejector

Dimensions

CHELIC

VHS-02



Unit: mm

Item	Model	A20	A25	B20	C20	G20	G25	O20	P20	Q20
L1		22.5	26.5	20	25.5	26	30	19.5	26	26.3

EV

EVM

VA □

VM □

VM □ U

VHS

VSL

VKM

VKMT

VCK

VK20 □

VK30 □

VQ20 □

VFD

VFM

VFU

ERV

ERVL

MVS

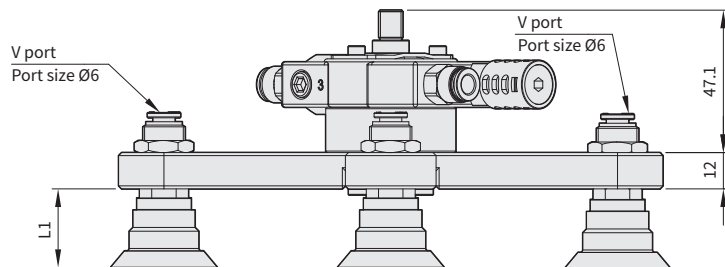
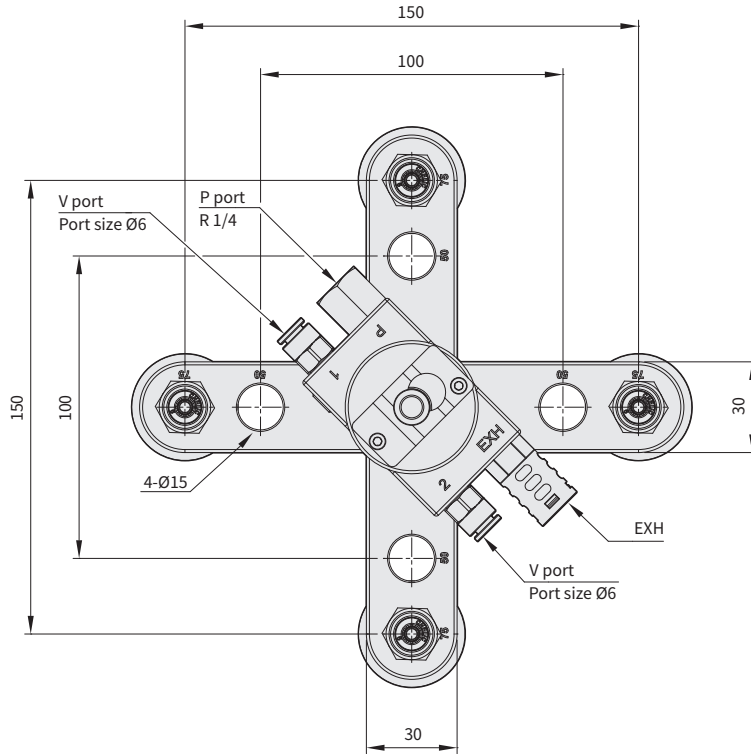
DYC

VHS series Integrated Type Vacuum Ejector

Dimensions

CHELIC

VHS-03



Unit: mm

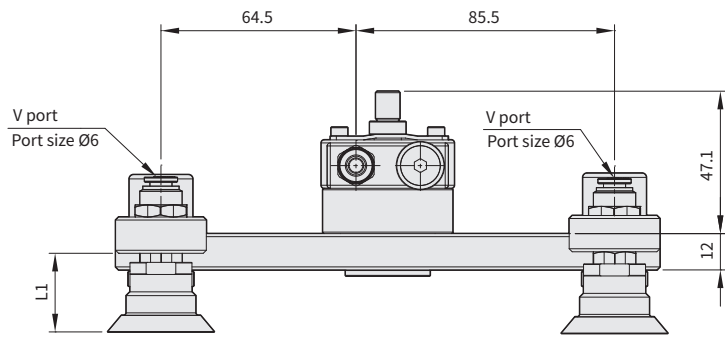
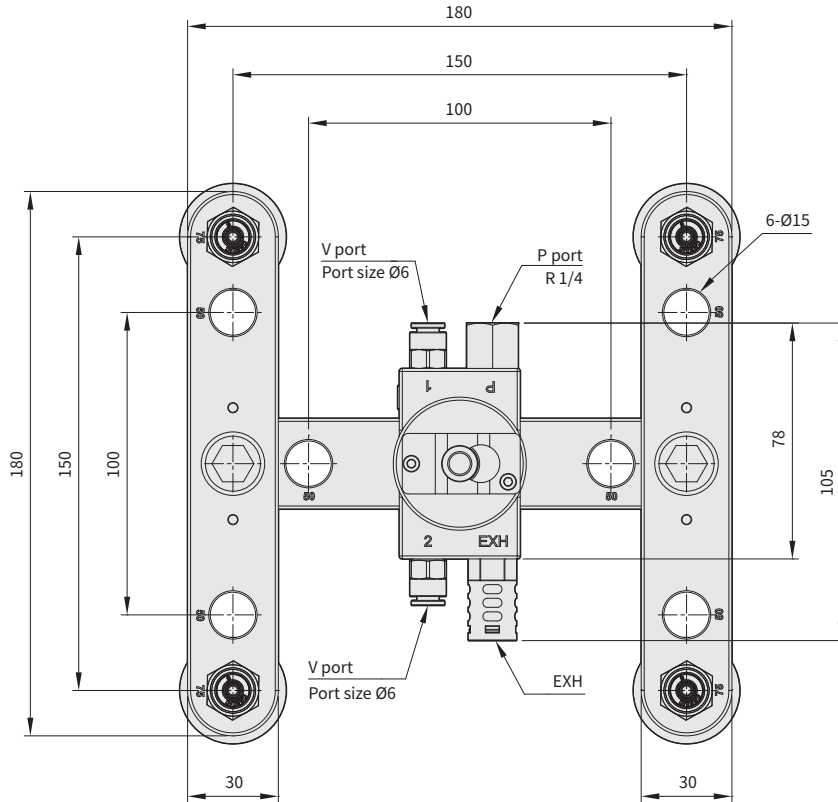
Item	Model	A20	A25	B20	C20	G20	G25	O20	P20	Q20
	L1	22.5	26.5	20	25.5	26	30	19.5	26	26.3

VHS series Integrated Type Vacuum Ejector

Dimensions

CHELIC

VHS-04



Unit: mm

Item	Model	A20	A25	B20	C20	G20	G25	O20	P20	Q20
L1		22.5	26.5	20	25.5	26	30	19.5	26	26.3

EV

EVM

VA □

VM □

VM □ U

VHS

VSL

VKM

VKMT

VCK

VK20 □

VK30 □

VQ20 □

VFD

VFM

VFU

ERV

ERVL

MVS

DYC