

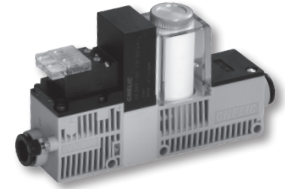
VK30 series Large Flow Vacuum Ejector

Product features

CHELIC

Feature

- Modularization: Simple structure which can be changed easily.
- Fitting design, easy piping.
- Visualization: Digital display of pressure sensor which can visualiz by monitor.
- Multi-function: Vacuum ejector combined with breaking solenoid valve also with vacuum filter and silencer.
- It can be instal upright or sideways; Simple structure, easy installation and disassembly.



Specification

Item	Model	VK30T	VK 30ST
Fluid		Air	
Pressure range	MPa (kPa)	0.25 ~ 0.7 (250 ~ 700)	
Proof pressure	MPa (kPa)	0.5 (500)	
Vacuum value	kPa(mmHg)	-91.8 (-690)	
Nozzle diameter	mm	2.0	
Max. suction flow	L/min	64	
Ambient and fluid temperature	°C	5 ~ 60	
Material	Body	Copper (Nickel plating)	
	Plastic	NYLON , PBT	
Port size	Ømm	Ø10	
Valve type		SR2 - 100	
Rated voltage	V	24±10%VDC	
Power consumption	W	1.2	

Pressure switch specification

Item	Model	PSC-41	
Rated pressure range	kPa	- 100.0 ~ 100.0	
Pressure Nominal filtration ratingrange	kPa	- 101.0 ~ 101.0	
Withstanding pressure	kPa	300	
Applicable fluid		Filtered air, Non-corrosive, Non-flammable gas	
Power voltage		12 to 24V DC ± 10%, Ripple ≤ 10%	
Current consumption	mA	≤ 40(With no load)	
Switch output	Output	2 NPN or 2 PNP open collector	
	Max. loading current	mA	125
	Power supply voltage	V	2 NPN 30 V DC, 2 PNP 24 V DC
	Residual voltage	V	≤ 1.5
	Response time	ms	Chattering-proof function: 50, 250, 500, 1000, 2000, 3000 selectable
	Output short circuit protection	Yes	
Display	Display	3 color (Red/Green/Orange) LCD, (Sampling cycle: 5 times/s)	
	Switch on indic ator	(1/2 display) OUT1 OUT2 Orange light	
	Renewing	Adjustable	
	Indicator accuracy	± 2% F.S. ± 1 digit (Temperature: 25±3° C)	
Repeatability		± 0.2% F.S. ± 1 digit	
Environmental Resistance	Enclosure	IP 40	
	Ambient Temp. Range	0 ~ 50° C	
	Operating temperature range	-10 ~ 60° C (No condensation or freezing)	
	Ambient Humidity Range	35 ~ 85% RH (No condensation)	
	Withstand Voltage	1000 V AC in 1-min (between case and lead wire)	
	Insulation	≥ 50 MΩ (a t 500 V DC, between case and lead wire)	
	Vibration	Total amplitude 1.5 mm , 10 Hz - 55 Hz - 10 Hz sc an for 1 minute, two hours each direction of X, Y and Z	
Impact	100 m/s ² (10 G), 3 times each in direction of X, Y and Z		
Temperature characteristic		± 2% F.S. of detected pressure (25° C) at temp. Range of 0 ~ 50° C	
Lead wire		oil-resistant cable (0.15 mm ²)	
Weight	g	Approx. 65 g (With 2 meter lead wire); Approx. 30g (With M8 4PIN male connector)	

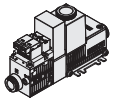
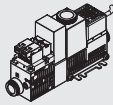
VK30 series Large Flow Vacuum Ejector

Code of order

CHELIC

Code of order **VK30 ST - 20 - 10 - DC24 - L - 022 - QD - C**

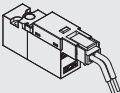
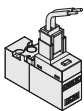
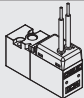
1 2 3 4 5 6 7 8

1	Mark	T	ST
Combination		Vacuum ejector + Filter + Solenoid valve	Vacuum ejector + Filter + Solenoid valve + Pressure switch
	Image		

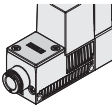
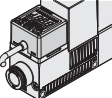
2	Mark	Nozzle diameter (mm)
	20	2.0

3	Mark	Port size (mm)
	10	Ø10

4	Mark	Voltage
	None	Without control valve
	DC12	DC 12, 1.2W
	DC24	DC 24, 1.2 W

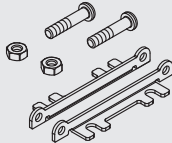
5	Mark	Electrical entry
	None	Without control valve
	L	
	T	
	W	

● With wire length 300mm

6	Mark	Output	Image
	None	With rear plate	
	022	2 NPN output	
	042	2 PNP output	

● With wire length 2 M

7	Mark	Connector
	None	With wire length 200mm
	QD	M8, 4-Pin Male
	QS	M8, 4-Pin Female

8	Mark	Bracket
	None	Without Bracket
	C	

● Vacuum ejector VK30 optional correspondence table:

Model	1 Combination	2 Nozzle diameter	3 Port size	4 Voltage	5 Electrical entry	6 Output	7 Connector	8 Bracket
VK30	T	20	10	DC12 • DC24	L • T • W	—	—	C
	ST					022 • 042	QD	

EV

EVM

VA□

VM□

VM□U

VHS

VSL

VKM

VKMT

VCK

VK20□

VK30□

VQ20□

VFD

VFM

VFU

ERV

ERVL

MVS

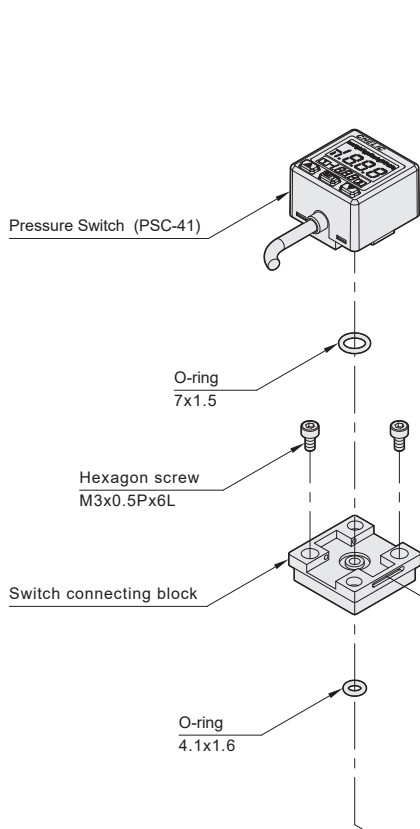
DYC

VK30 series Large Flow Vacuum Ejector

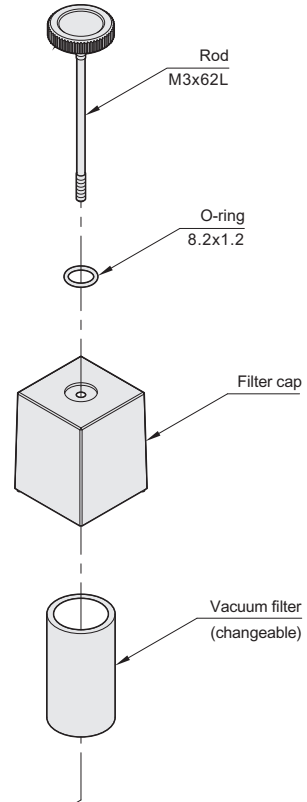
Installation

CHELIC

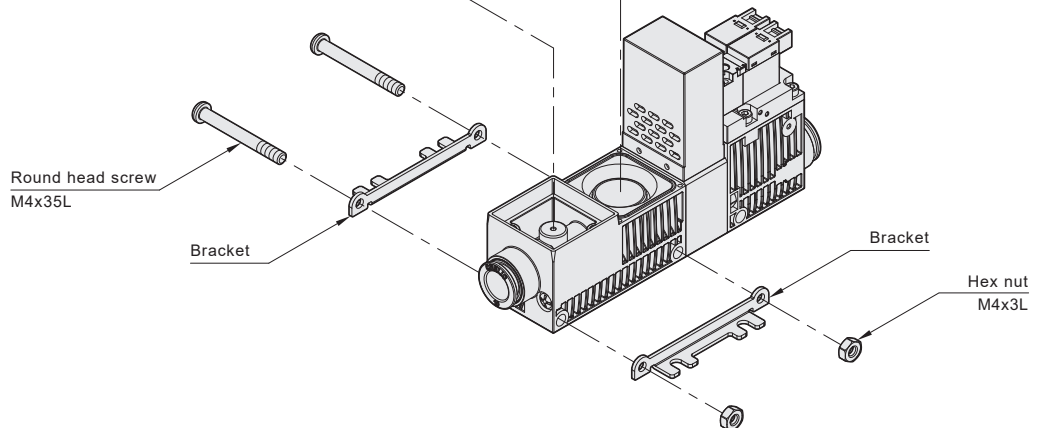
■ VK30 Series pressure switch



■ VK30 Filter element



■ VK30 Bracket

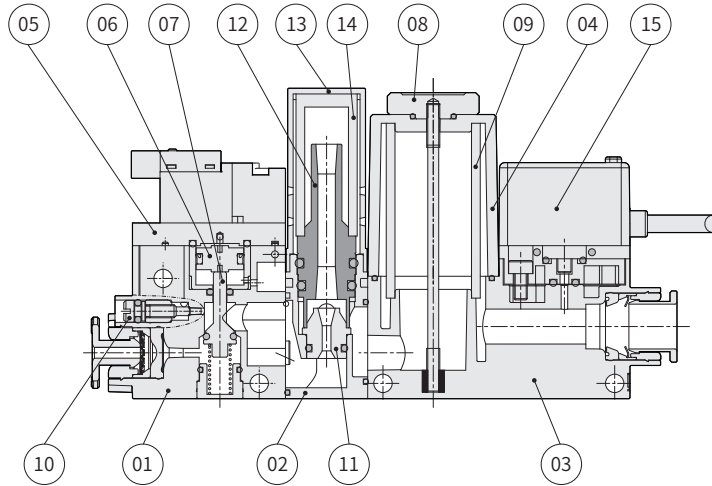


VK30 series Large Flow Vacuum Ejector

Product features

CHELIC

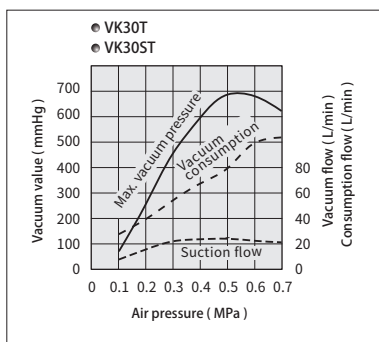
Internal structure



Components and Material list

No.	Item	Material	No.	Item	Material
01	Main body	Nylon fiber	09	Filter	EA30
02	Vacuum ejector	Nylon fiber	10	Throttle screw	Copper alloy
03	Silencer	Nylon fiber	11	Nozzle	Copper alloy
04	Filter cap	PC	12	Copper tube	Copper alloy
05	Manifold board	Aluminum alloy	13	Filter cap	Nylon fiber
06	Piston	Copper alloy	14	Filter	EA30
07	Acting rod	Copper alloy	15	Pressure switch	
08	Filter cap	Aluminum alloy			

Flow rate characteristic graph



Product weight

Model	VK30	
Specification	T	ST
Weight(g)	180	300

EV

EVM

VA □

VM □

VM □ U

VHS

VSL

VKM

VKMT

VCK

VK20 □

VK30 □

VQ20 □

VFD

VFM

VFU

ERV

ERVL

MVS

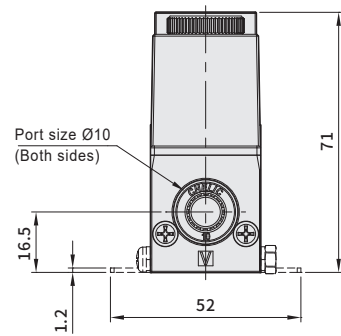
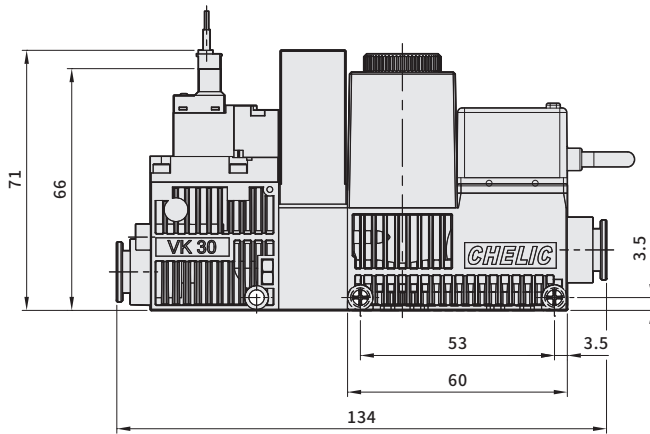
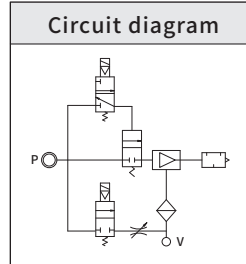
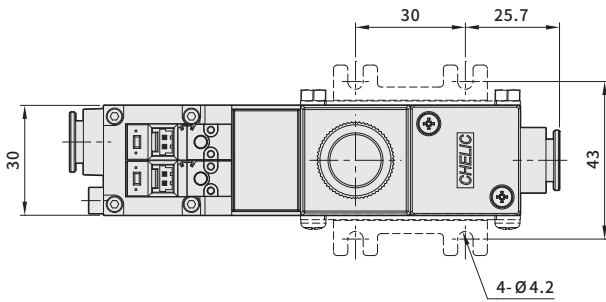
DYC

VK30 series Large Flow Vacuum Ejector

Dimensions

CHELIC

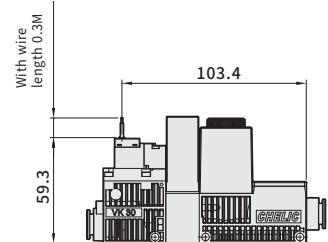
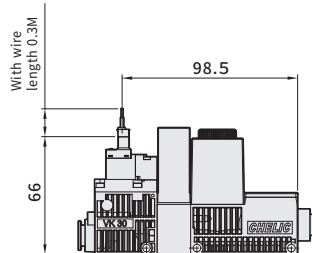
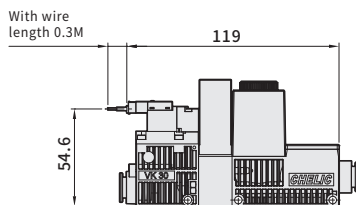
■ VK30 **T** - **20** - 10 - **24 VDC** - **T** - **C**



■ L type - **L**

■ T type - **T**

■ W type grommet - **W**

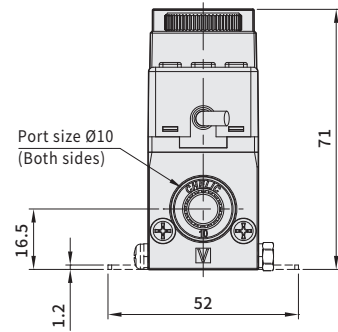
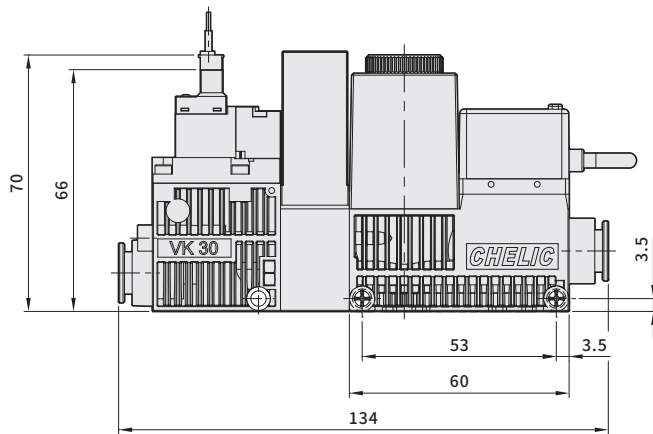
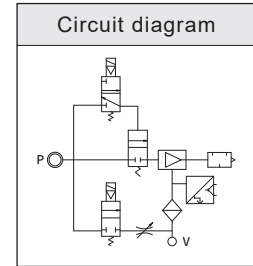
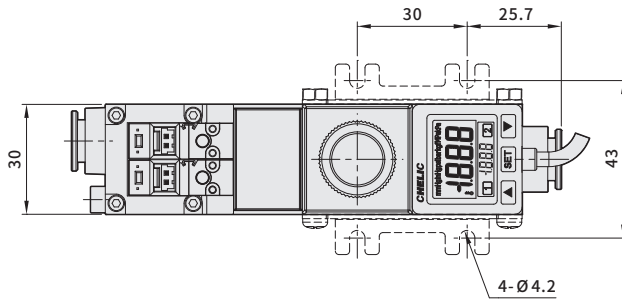


VK30 series Large Flow Vacuum Ejector

Dimensions

CHELIC

VK30 ST - 20 - 10 - 24 VDC - T - 022 - C

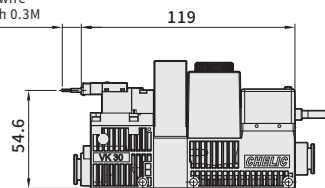


L type - L

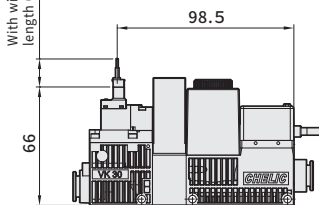
T type - T

W type grommet - W

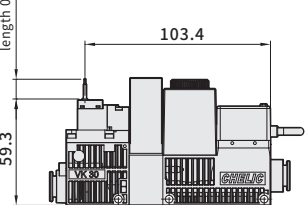
With wire length 0.3M



With wire length 0.3M



With wire length 0.3M



EV

EVM

VA

VM

VM U

VHS

VSL

VKM

VKMT

VCK

VK20

VK30

VQ20

VFD

VFM

VFU

ERV

ERVL

MVS

DYC

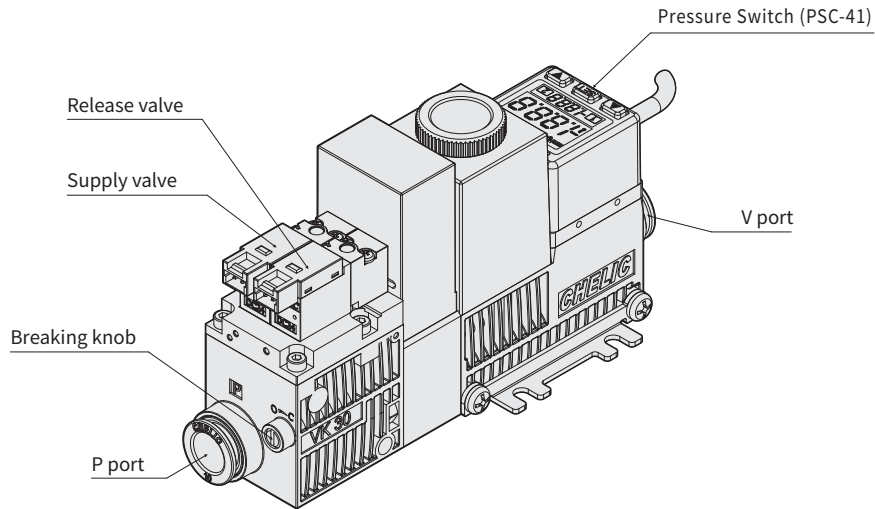
VK30 series Large Flow Vacuum Ejector

Instructions

CHELIC

VK 30 Series Vacuum ejector and vacuum breaking instructions

- The supply valve is to control air supply port, release valve is to control the breaking knob.
- The vacuum ejector generates the vacuum only when supply valve starts up.
- By adjusting break knob in clockwise, the vacuum increased; Otherwise counter-clockwise.



PSC-41 Numeric Display Pressure Switch Setting Instructions (Compound)

- 2 sets of output (2 NPN / 2PNP)
- Key lock function
- Various pressure units available
kPa, MPa, kgf/cm², bar, psi, inHg, mmHg

