

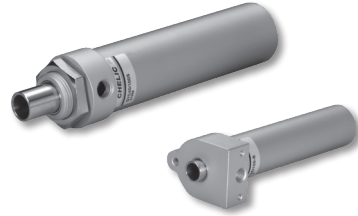
# DYC series Vacuum Cylinder

Product features/ Code of order

**CHELIC**

## Feature

- The vacuum pump and pad can directly extended and suck workpiece without cylinder.
- Vacuum braker included to release the workpiece.



## Specification

Item	Bore size(mm)	Ø25	Ø40
Operation		Single acting	
Fluid		Air	
Stroke	mm	25, 50, 75, 100, 125, 150, 200, 300	
Setting range	mmHg	-600	

Note: 1. High air consumption need to used with vacuum pump.  
2. Customized product, MOQ should be 10pcs.

## Code of Order **DYC 25 x 150 - SA 2**

1 2 3 4

1

Mark	Bore size(mm)
25	Ø25
40	Ø40

2

Mark	Stroke (mm)
25	25
50	50
75	75
100	100
125	125
150	150
200	200
300	300

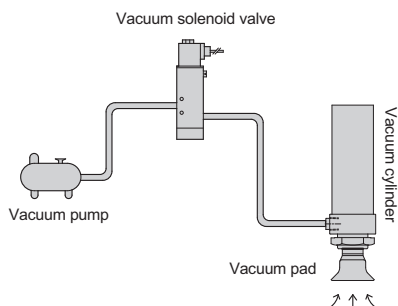
3

Mark	Sensor switch
None	Without sensor switch
SA	CS-100
Image	
CS-100	

4

Mark	Sensor quantity
1	1 sensor
2	1 sensors

## Application instruction



## Internal structure

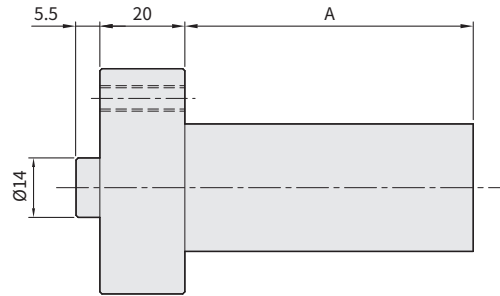
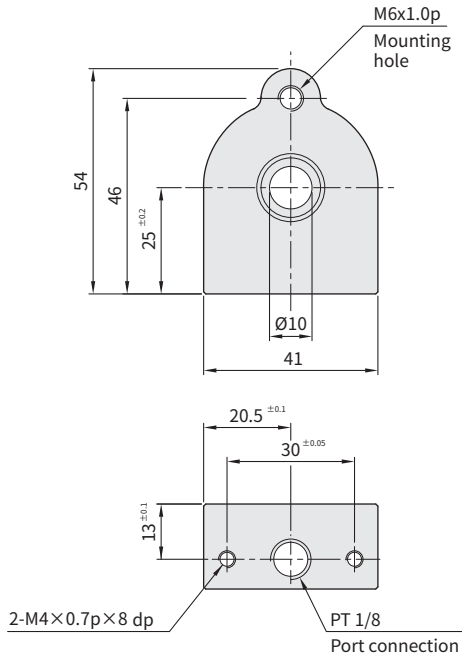


# DYC series Vacuum Cylinder

## Dimensions

CHELIC

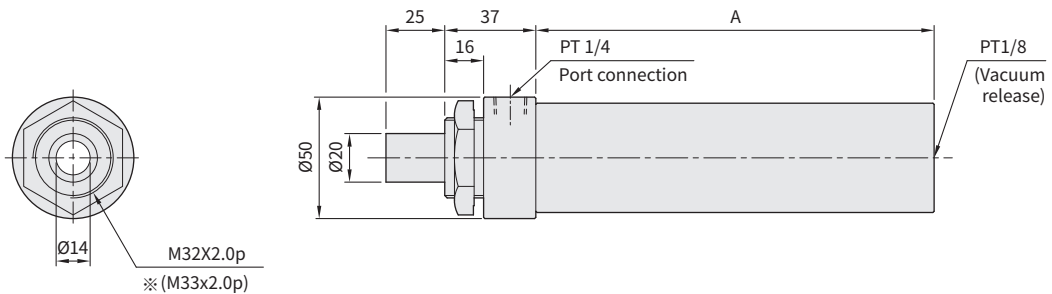
### ■ DYC - Ø25 x



Unit: mm

Stroke	25	50	75	100	125	150
A	50	75	100	125	150	175

### ■ DYC - Ø40 x



Unit: mm

Stroke	100	150	200
A	213	263	313

EV

EVM

VA

VM

VM  U

VHS

VSL

VKM

VKMT

VCK

VK20

VK30

VQ20

VFD

VFM

VFU

ERV

ERVL

MVS

DYC