

PAR series Vacuum Pad With Ball Joint

Product features

CHELIC

Feature

- Installation easily: Small size, applicable with pad and easy to assembly.
- Swing design with 360 degrees, flexible installation, space saving.
- Multiple specifications, variety of vacuum pad options Swing design with 360 degrees, flexible installation, space saving. Swing design with



Specification

Unit: mm

Item	Model	PAR 05	PAR 20	PAR 60
Applicable pad size		Ø5 ~ Ø15	Ø20 ~ Ø50	Ø60 ~ Ø80
Rotation angle		30°		

Code of order **PAR 05**

1

1	Mark	Pad dia. (mm)
	05	Ø5, Ø6, Ø8, Ø10, Ø15
	20	Ø20, Ø25, Ø30, Ø35, Ø40, Ø50
	60	Ø60, Ø80

Rotation angle	
None	30°

- Standard

Product weight

Item	Model	Weight(g)
PAR	05	11.0
	20	17.8
	60	52.8

PA

PB

PC

PAG

PAO

PAP

PAQ

PAW

PAL

PBL

PCL

PAR

PS

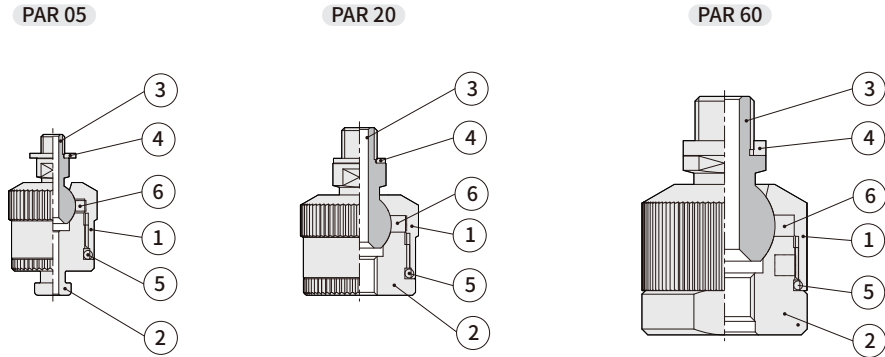
VP

PAR series Vacuum Pad With Ball Joint

Product features

CHELIC

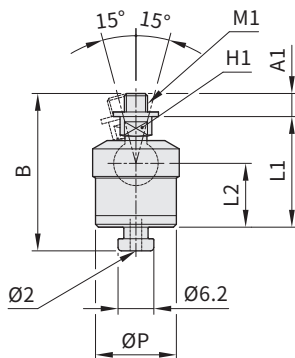
Internal structure



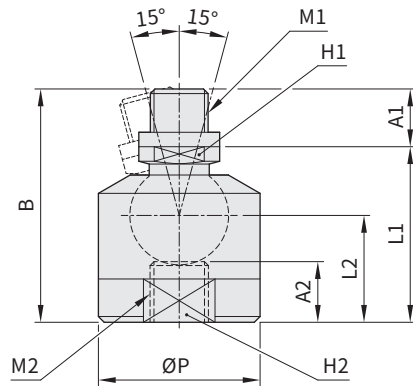
Components and material list

No.	Item	Material	No.	Item	Material
01	PAR Top cover	Aluminum alloy	07	Plain washer	Cardboard
02	PAR Bottom cover	Aluminum alloy	08	O-ring	NBR
03	PAR Main shaft	Copper	09	X-ring	NBR

PAR 05



PAR 20, 60



Unit: mm

Model	M1	M2	A1	A2	B	L1	L2	ØP	Cross H1	Cross H2	Weight (g)
PAR 05	M4x0.7P	-	4	-	27.3	19.2	11.1	14	3.8	17.2	22
PAR 20	M6x1P	M6x1P	6	17.3	28.4	22.4	12	19	7	17.3	23
PAR 60	M10x1.25P	M10x1.25P	10	19.3	40.4	30.4	18.5	28	11	19.3	26