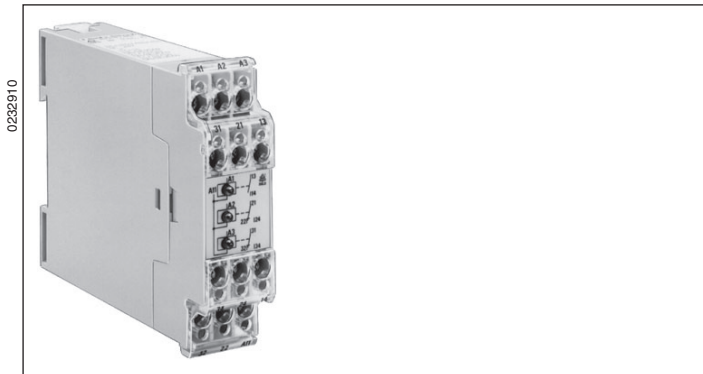


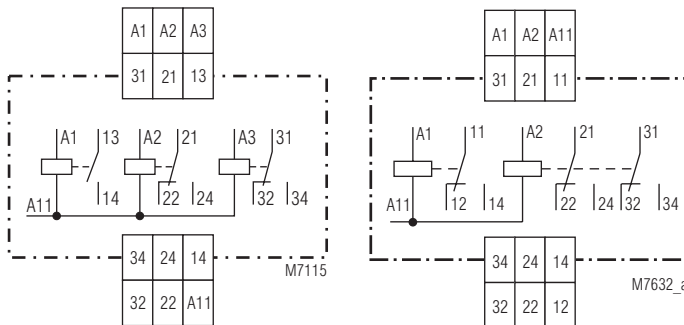
Interface Relay MK 3046

Translation
of the original instructions



- According to IEC/EN 60947-5-1
- Compact version with 3 separate relay systems
- Available also for switching of low loads
- 2 x 1 changeover contact, 1 x 1 NO contact
or 1 x 1 changeover contact, 1 x 2 changeover contacts
- LED indication
- Width 22.5 mm

Circuit Diagrams



MK 3046.29

MK 3046.13

Connection Terminals

Terminal designation	Signal description
A1, A2, A3	+ / L
A11	- / N
11, 12, 14; 21, 22, 24; 31, 32, 34; 13, 14;	Changeover contacts

Approvals and Markings



Application

For separating potentials

Indication

3 LEDs: On, when associated output relay is energized

Technical Data

Input

Nominal voltage U_N : DC 24 V
Voltage range: 0.8 ... 1.1 U_N
Nominal consumption: 0.5 W

Output

Contacts

MK 3046.29: 2 x 1 changeover contacts,
1 x 1 NO contact
 MK 3046.13: 1 x 1 changeover contact,
1 x 2 changeover contacts

Turn-on time: 5 ms
Turn-off time: 7 ms
Thermal current I_{th} : 5 A

Switching capacity

To AC 15
 NO contact: 3 A / AC 230 V IEC/EN 60947-5-1
 NC contact: 1 A / AC 230 V IEC/EN 60947-5-1
 To DC 13
 NO contact: 1 A / DC 24 V IEC/EN 60947-5-1
 NC contact: 1 A / DC 24 V IEC/EN 60947-5-1

Electrical life

To AC 15 at 3 A, AC 230 V: 0.5 x 10⁵ switching cycles

Permissible switching frequency:

7200 switching cycles / h

Short circuit strength

max. fuse rating: 4 A gG / gL IEC/EN 60947-5-1

Mechanical life:

30 x 10⁶ switching cycles

Technical Data

General Data

Operating mode:	Continuous operation	
Temperature range		
Operation:	- 20 ... + 60 °C	
Storage:	- 20 ... + 60 °C	
Betriebshöhe:	< 2000 m	
Clearance and creepage distances		
Rated impulse voltage / pollution degree:	4 kV / 2	IEC 60664-1
EMC		
Electrostatic discharge:	8 kV (air)	IEC/EN 61000-4-2
HF-irradiation		
80 MHz ... 2,7 GHz:	10 V/m	IEC/EN 61000-4-3
Fast transients:	2 kV	IEC/EN 61000-4-4
Surge voltages between		
Wires for power supply:	1 kV	IEC/EN 61000-4-5
Between wire and ground:	2 kV	IEC/EN 61000-4-5
HF wire guided:	10 V/m	IEC/EN 61000-4-6
Interference suppression:	Limit value class B	EN 55011
Degree of protection		
Housing:	IP 40	IEC/EN 60529
Terminals:	IP 20	IEC/EN 60529
Housing:	Thermoplastic with V0 behaviour according to UL subject 94	
Vibration resistance:	Amplitude 0.35 mm frequency 10 ... 55 Hz IEC/EN 60068-2-6	
Climate resistance:	20 / 060 / 04 IEC/EN 60068-1	
Terminal designation:	EN 50005	
Wire connection:	2 x 1.5 mm ² solid or 2 x 1.0 mm ² stranded wire with sleeve DIN 46228-1/-2/-3/-4	
Insulation of wires or sleeve length:	7 mm	
Wire fixing:	Flat terminals with self-lifting clamping piece IEC/EN 60999-1	
Anzugsdrehmoment:	0,8 Nm	
Mounting:	DIN rail IEC/EN 60715	
Weight:	135 g	

Dimensions

Width x height x depth: 22.5 x 82 x 99 mm

Standard Type

MK 3046.29 DC 24 V

Article number:	0034189
• Output:	2 x 1 changeover contact, 1 x 1 NO contact
• Nominal voltage U _N :	DC 24 V
• Width:	22.5 mm

Variants

MK 3046._._/004:	For low loads from 0.1 ... 60 V, 1 mA ... 300 mA
MK 3046._._/100:	1. system for DC 48 V (connection A1 - A11) 2. and 3. system for DC 24 V (connections A2, A3 - A11)

Ordering example vor variants

MK 3046 .29 / _ _ _ DC 24 V

