

FABCO-AIR

NAMUR SOLENOID VALVE FVEN Series

G1/4 , 5 port 2 position

FVEN-Series

<http://www.fabco-air.com>



Features

1. Designed for high flow, these fast acting valves are ideal for operating $\varnothing 20 \sim \varnothing 80$ bore cylinders.
2. Low minimum operating pressures deliver high internal shifting force to deliver consistently reliable operation.
3. Housings are precision machined and hard anodized for low friction.
4. Low friction seals have high abrasion resistance to provide longer service life.
5. Can be used with or without lubrication.
6. Special coils have low power consumption and use DIN 43650 electrical connectors for wiring.

Specifications

Model no.	FVEN2120	FVEN2220
Port size	G1/4	
Symbol		
Operation	Single solenoid	Double solenoid
Ports/Positions	5port 2position	
Fluids	Air or inert gas	
Min. operating pressure	30 psi - single or double solenoid	
Max. operating pressure	150 psi	
Temperature range	5°C(41°F) ~ +60°C(140°F)	
Lubrication	None required or use ISO VG32	
Response time	0.050 seconds	
Cylinder range	$\varnothing 20 \sim \varnothing 80$ mm I.D.	
Duty cycle	100% (Continuous)	
Electrical connection	DIN 43650 electrical connector	
Voltage range	$\pm 10\%$	
Coil insulation	Class F	
Rated voltage	AC110,220,240 DC12, 24	
Power Consumption	AC:7.5VA DC:2.5W	
Cv	1.68	
Weight (g)	320	410

How to order

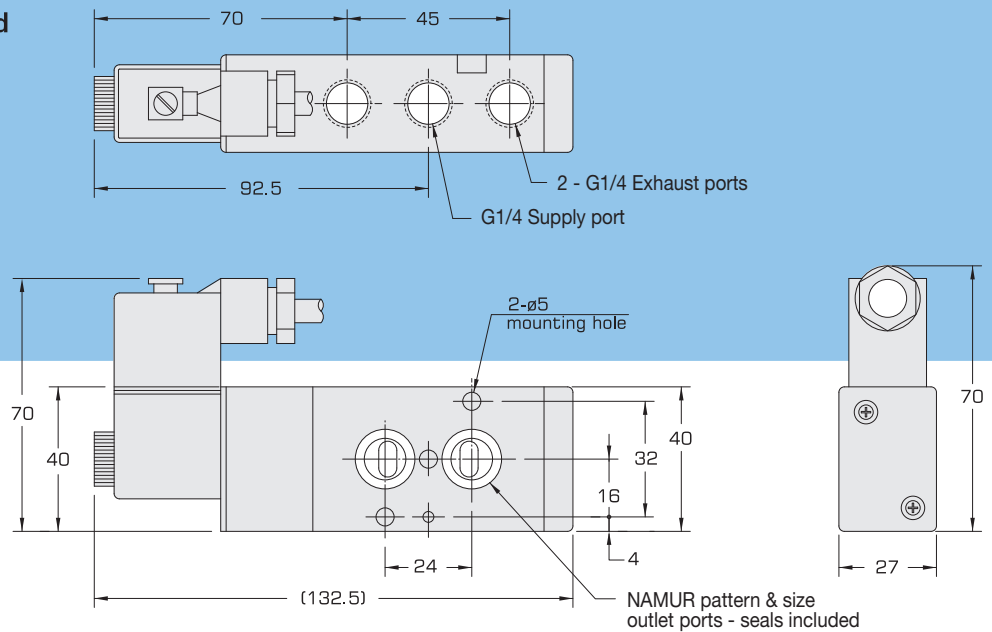
FVEN2	1	2	A11	L
Series	Operation	Port size	Standard voltage	Electrical entry
		2 G1/4	A11 AC110V 50/60Hz A22 AC220V 50/60Hz A24 AC240V 50/60Hz D12 DC 12V D24 DC 24V	Leave blank Standard connector DIN 43650 L Plug connector with lamp - DIN 43650 S Plug connector with lamp & surge supressor DIN 43650
	1 Single solenoid			
	2 Double solenoid			

FVEN-Series NAMUR SOLENOID VALVE

<http://www.fabco-air.com>

Dimensions (mm)

Single Solenoid



Double Solenoid

