



EAC



Kz - Kazakhstan

INPUT: 5A... 100A

OUTPUT: 5A 1A

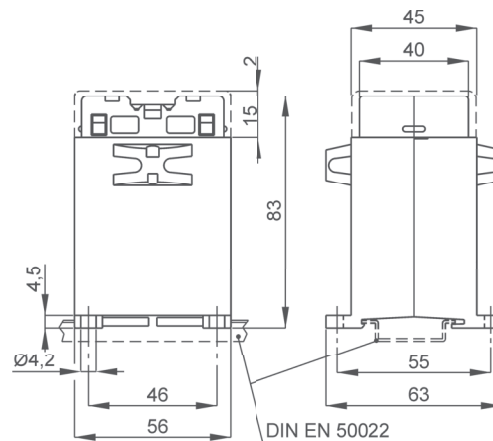
DATI TECNICI - Technical data

custodia in materiale termoplastico autoestinguente	self extinguishing thermoplastic material	UL94-V0
frequenza funzionamento	operating frequency	50÷60 Hz
tensione di riferimento per l'isolamento	insulation reference voltage	0,72 kV
tensione di prova	test voltage	3 kV x 1'50 Hz
isolamento	insulation	classe E
grado di protezione	protection degree	IP 20
sovracorrente permanente	continuous overcurrent	100% I <sub>n</sub>
corrente termica di breve durata nominale (I th)	rated short-time thermal current (I th)	40 I <sub>n</sub>
corrente dinamica nominale (I dyn)	rated dynamic current (I dyn)	2,5 x I th
max. potenza dissipata (portata max.)	max. power dissipation (max range value)	≤2W
temperatura di funzionamento	operating temperature	-25 +50 °C
temperatura di magazzino	storage temperature	-40 +80 °C
costruzione a norme	manufactured according to	IEC/EN 61869-1 IEC/EN 61869-2
terminali secondari integrati	integrated secondary terminals	6mm <sup>2</sup>

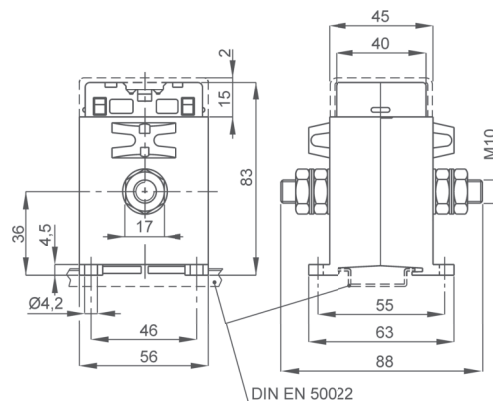
TIPO - Type

DIMENSIONI - Dimensions

Rapporto Ratio	Codice - Code					
	VA	Cl. 0,2	VA	Cl. 0,5S	VA	Cl. 0,2S
5/5A	1	TAC005005J05	2.5	TAC005005Y05	1.5	TAC005005S05
10/5A	1	TAC005010J05	2.5	TAC005010Y05	1.5	TAC005010S05
15/5A	1	TAC005015J05	2.5	TAC005015Y05	1.5	TAC005015S05
20/5A	1	TAC005020J05	2.5	TAC005020Y05	1.5	TAC005020S05
25/5A	1	TAC005025J05	2.5	TAC005025Y05	1.5	TAC005025S05
30/5A	1	TAC005030J05	2.5	TAC005030Y05	1.5	TAC005030S05
40/5A	1	TAC005040J05	2.5	TAC005040Y05	1.5	TAC005040S05
50/5A	1	TAC005050J05	2.5	TAC005050Y05	1.5	TAC005050S05
60/5A	1	TAC005060J05	2.5	TAC005060Y05	1.5	TAC005060S05
80/5A	1	TAC005080J05	2.5	TAC005080Y05	1.5	TAC005080S05
100/5A	1	TAC005100J05	2.5	TAC005100Y05	1.5	TAC005100S05



1-25 A kg 0,30 ...0,35



30-100 A kg 0,30 ...0,35

Sono disponibili i trasformatori con secondario 1A e pari prestazioni, i codici di ordinazione sono come in tabella ma con ultima cifra 1

CTs at 1A secondary current are also available. The burdens are the same as 5A CTs. The ordering codes are the same as those in the above table but the last figure shall be 1 instead of 5.

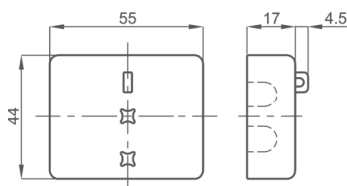
Esempio / Example

TA.....05 (secondario/secondary 5A) TA.....01 (secondario/secondary 1A)

NOTE - Note

OPZIONI - OPTIONS

Coprimorsetti sigillabile cod. 9SBMCTA  
Sealable terminals cover cod. 9SBMCTA



Siglatura morsetti primario e secondario  
Primary and secondary connections marking