

Kz - Kazakhstan

INPUT: 1000A...
6000A

5A

OUTPUT: 1A

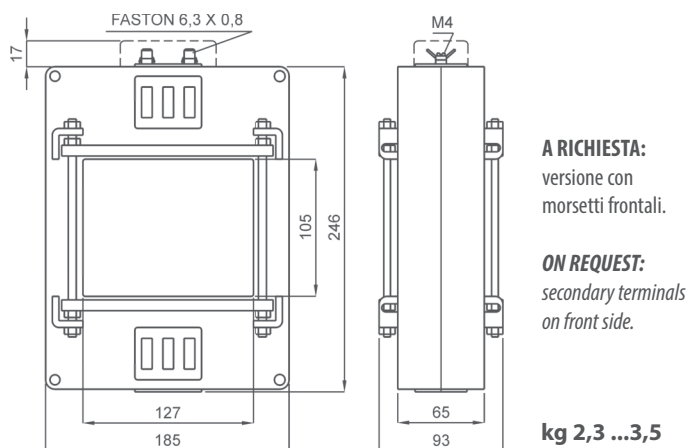
DATI TECNICI - Technical data

custodia in materiale termoplastico autoestinguente	self extinguishing thermoplastic material	UL94-V0
frequenza funzionamento	operating frequency	50÷60 Hz
tensione di riferimento per l'isolamento	insulation reference voltage	0,72 kV
tensione di prova	test voltage	3 kV x 1' 50 Hz
isolamento	insulation	classe E
grado di protezione	protection degree	IP 00
grado di protezione con coprimorsetti	protection degree with terminal covers	IP 20
sovracorrente permanente	continuous overcurrent	100% In
corrente termica di breve durata nominale (I th)	rated short-time thermal current (I th)	80 In
corrente dinamica nominale (I dyn)	rated dynamic current (I dyn)	2,5 x I th
max. potenza dissipata (portata max.)	max. power dissipation (max range value)	≤50W
temperatura di funzionamento	operating temperature	-25 +50 °C
temperatura di magazzino	storage temperature	-40 +80 °C
costruzione a norme	manufactured according to	IEC/EN 61869-1 IEC/EN 61869-2

TIPO - Type

DIMENSIONI - Dimensions

Rapporto Ratio	Codice - Code					
	VA	Cl. 5P5	VA	Cl. 5P10	VA	Cl. 5P15
1000/5A	30	TAT1291K0K05	10	TAT1291K0L05	5	TAT1291K0M05
1200/5A	35	TAT1291K2K05	12	TAT1291K2L05	6	TAT1291K2M05
1500/5A	40	TAT1291K5K05	15	TAT1291K5L05	8	TAT1291K5M05
2000/5A	60	TAT1292K0K05	20	TAT1292K0L05	10	TAT1292K0M05
2500/5A	70	TAT1292K5K05	20	TAT1292K5L05	10	TAT1292K5M05
3000/5A	80	TAT1293K0K05	25	TAT1293K0L05	12	TAT1293K0M05
4000/5A	100	TAT1294K0K05	30	TAT1294K0L05	15	TAT1294K0M05
5000/5A	40	TAT1295K0K05	15	TAT1295K0L05	5	TAT1295K0M05
6000/5A	40	TAT1296K0K05	15	TAT1296K0L05	5	TAT1296K0M05



Sono disponibili i trasformatori con secondario 1A e pari prestazioni, i codici di ordinazione sono come in tabella ma con ultima cifra 1

CTs at 1A secondary current are also available. The burdens are the same as 5A CTs. The ordering codes are the same as those in the above table but the last figure shall be 1 instead of 5.

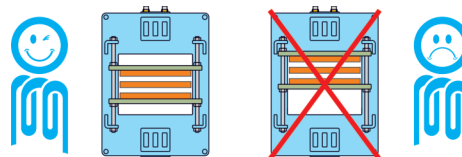
Esempio / Example

TA.....05 (secondario/secondary 5A) TA.....01 (secondario/secondary 1A)

Segnatura morsetti primario e secondario
Primary and secondary connections marking



CENTRAGGIO BARRE PRIMARIO - CENTERING PRIMARY BARS



NOTE - Note

ACCESSORI IN DOTAZIONE

- sistema fissaggio barre incorporato
- serrafilo con faston 6,3x0,8mm per secondario e corto circuito

SUPPLIED ACCESSORIES

- built-in busbar fixing system
- clamping terminals with faston 6,3x0,8mm for secondary and short-circuit

OPZIONI - OPTIONS

Coprimorsetti sigillabile cod. 9SBMCTA
Sealable terminals cover cod. 9SBMCTA

