

CONTROL COMPONENT

KTS Series

OVERVIEW

Sensitive touch pad

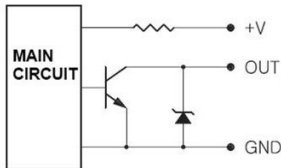
FLUSH MOUNTING TYPE

Dual color type is available

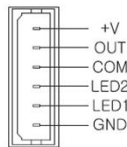


Circuit Diagrams

OUTPUT CIRCUIT

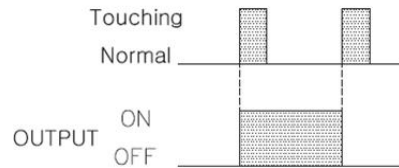


INPUT TERMINAL



Characteristic Curves

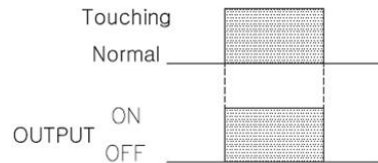
ALTERNATE



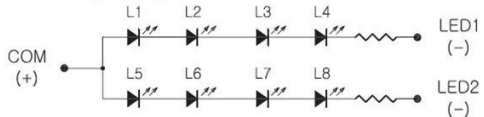
LED CIRCUIT (MONO)



MOMENTARY



LED CIRCUIT (DUAL)



SPECIFICATION

Model Number	KTS- S25/S40 Series
Input Voltage	DC24V/DC12V(± 10%)
Current	Max. 100mA
Output	NPN Open Collector TR output DC35V 200mA Max.
Insulation Resistance	min. 100MΩ(DC500V)
Dielectric Strength	50/60Hz AC500V for 1min.
Ambient Temperature	- 10°C □+55°C
Ambient Humidity	10 □80%RH

CONTROL COMPONENT

Quick Selection Guide

Size	Action	Color	Color	Input Voltage	Model Number
Square 25mm	Alternate	Mono	Red	24V	KTS- S25AR
				12V	KTS- S25ARL
			Green	24V	KTS- S25AG
				12V	KTS- S25AGL
			Yellow	24V	KTS- S25AY
				12V	KTS- S25AYL
		Dual Color	Red/Yellow	24V	KTS- S25A1
				12V	KTS- S25A1L
			Green/Red	24V	KTS- S25A2
	Dual Color	Green/Red	12V	KTS- S25A2L	
			Yellow/Green	24V	KTS- S25A3
		12V	KTS- S25A3L		
	Momentary	Mono	Red	24V	KTS- S25MR
				12V	KTS- S25MRL
			Green	24V	KTS- S25MG
				12V	KTS- S25MGL
			Yellow	24V	KTS- S25MY
				12V	KTS- S25MYL
Dual Color		Red/Yellow	24V	KTS- S25M1	
			12V	KTS- S25M1L	
		Green/Red	24V	KTS- S25M2	
Dual Color	Green/Red	12V	KTS- S25M2L		
		Yellow/Green	24V	KTS- S25M3	
	12V	KTS- S25M3L			
Square 40mm	Alternate	Mono	Red	24V	KTS- S40AR
				12V	KTS- S40ARL
			Green	24V	KTS- S40AG
				12V	KTS- S40AGL
			Yellow	24V	KTS- S40AY
				12V	KTS- S40AYL
		Dual Color	Red/Yellow	24V	KTS- S40A1
				12V	KTS- S40A1L
			Green/Red	24V	KTS- S40A2
	Dual Color	Green/Red	12V	KTS- S40A2L	
			Yellow/Green	24V	KTS- S40A3
		12V	KTS- S40A3L		
	Momentary	Mono	Red	24V	KTS- S40MR
				12V	KTS- S40MRL
			Green	24V	KTS- S40MG
				12V	KTS- S40MGL
			Yellow	24V	KTS- S40MY
				12V	KTS- S40MYL
Dual Color		Red/Yellow	24V	KTS- S40M1	
			12V	KTS- S40M1L	
		Green/Red	24V	KTS- S40M2	
Dual Color	Green/Red	12V	KTS- S40M2L		
		Yellow/Green	24V	KTS- S40M3	
	12V	KTS- S40M3L			

CONTROL COMPONENTS

MICRO SWITCH

FOOT SWITCH

LIMIT SWITCH

POWER SWITCH

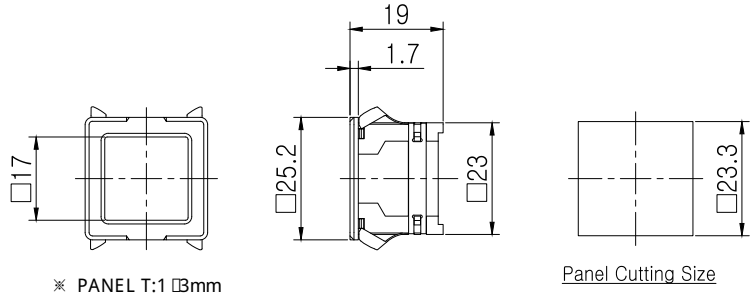
HOIST SWITCH

CAM SWITCH

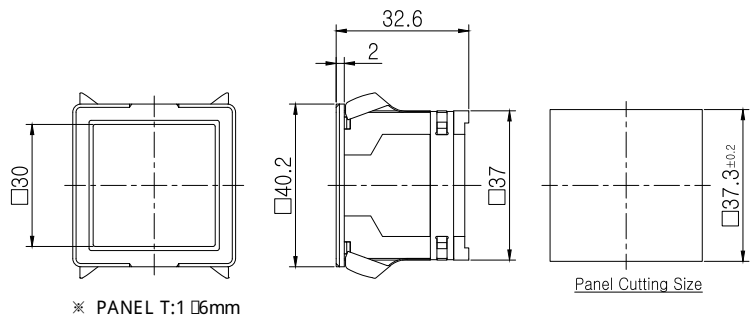
CONTROL COMPONENT

Dimensions

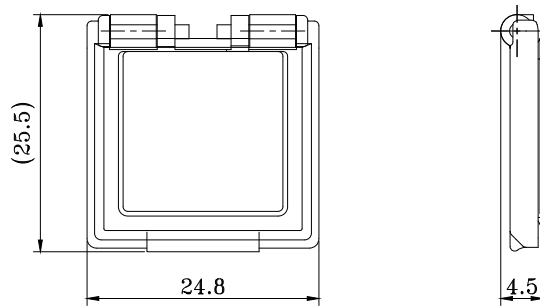
KTS-S25



KTS-S40



KTS-S25 SAFETY COVER



Connector Cable

