

ROTEX® Flexible jaw couplings

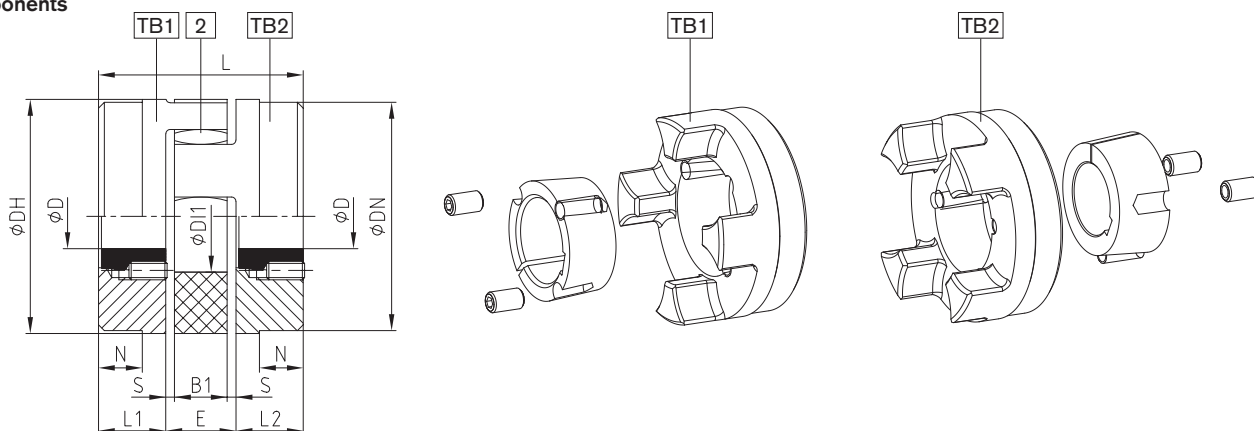
Taper clamping sleeve



For legend of pictogram refer to flapper on the cover



Components



ROTEX® Shaft coupling for taper clamping sleeve

Size	Taper clamping sleeve	Dimensions [mm]									Fastening screws for taper clamping sleeves			
		L1, L2	E	B1	S	L	N	DH	DN	DI1	Size [Inch] ¹⁾	Length [mm]	Number	T _A [Nm]
24	1008	22	18	14	2.0	62	–	55	55	27	1/4"	13	2	5.7
28	1108	23	20	15	2.5	66	–	65	65	30	1/4"	13	2	5.7
38	1108	23	24	18	3.0	70	15	80	78	38	1/4"	13	2	5.7
42	1610	26	26	20	3.0	78	16	95	94	46	3/8"	16	2	20
48	1615	39	28	21	3.5	106	28	105	104	51	3/8"	16	2	20
55	2012	33	30	22	4.0	96	20	120	118	60	7/16"	22	2	31
65	2012	33	35	26	4.5	101	19	135	115	68	7/16"	22	2	31
75	2517	52	40	30	5.0	144	36	160	158	80	1/2"	25	2	49
	5/8"										32	92		
90	3020	52	45	34	5.5	149	33	200	160	100	3/8"	32	2	92
100	3535	90	50	38	6.0	230	69	225	180	113	1/2"	49	3	113
125	4545	114	60	46	7.0	288	86	290	230	147	3/4"	49	3	192

Taper clamping sleeve

Size	Summary of bore dimensions D [mm], H7 fit - feather keyway acc. to DIN 6885 sheet 1																		
1008	Ø10	Ø11	Ø12	Ø14	Ø16	Ø18	Ø19	Ø20	Ø22	Ø24	Ø25								
1108	Ø10	Ø11	Ø12	Ø14	Ø16	Ø18	Ø19	Ø20	Ø22	Ø24	Ø25	Ø28 ²⁾							
1610	Ø14	Ø16	Ø18	Ø19	Ø20	Ø22	Ø24	Ø25	Ø28	Ø30	Ø32	Ø35	Ø38	Ø40	Ø42 ²⁾				
1615	Ø14	Ø16	Ø18	Ø19	Ø20	Ø22	Ø24	Ø25	Ø28	Ø30	Ø32	Ø35	Ø38	Ø40	Ø42 ²⁾				
2012	Ø14	Ø16	Ø18	Ø19	Ø20	Ø22	Ø24	Ø25	Ø28	Ø30	Ø32	Ø35	Ø38	Ø40	Ø42	Ø45	Ø48	Ø50	
2517	Ø16	Ø18	Ø19	Ø20	Ø22	Ø24	Ø25	Ø28	Ø30	Ø32	Ø35	Ø38	Ø40	Ø42	Ø45	Ø48	Ø50	Ø55	Ø60
3020	Ø25	Ø28	Ø30	Ø35	Ø38	Ø40	Ø42	Ø45	Ø48	Ø50	Ø55	Ø60	Ø65	Ø70	Ø75				
3535	Ø35	Ø38	Ø40	Ø42	Ø45	Ø48	Ø50	Ø55	Ø60	Ø65	Ø70	Ø75	Ø80	Ø85	Ø90				
4545	Ø55	Ø60	Ø65	Ø70	Ø75	Ø80	Ø85	Ø90	Ø95	Ø100	Ø105	Ø110							

• Available for type TB2 only

¹⁾ 1. BSW thread

Coupling type TB1/TB2, TB1/TB1 and TB2/TB2 possible.

Please order our separate dimension sheet (M373054).

²⁾ Bore with feather keyway (flat design) acc. to DIN 6885 sheet 3

Ordering example:	ROTEX® 38	92 ShA	1108	TB1 - Ø24		TB2 - Ø22	
	Coupling size	Spider hardness	Taper clamping sleeve	Hub type	Finish bore	Hub type	Finish bore