

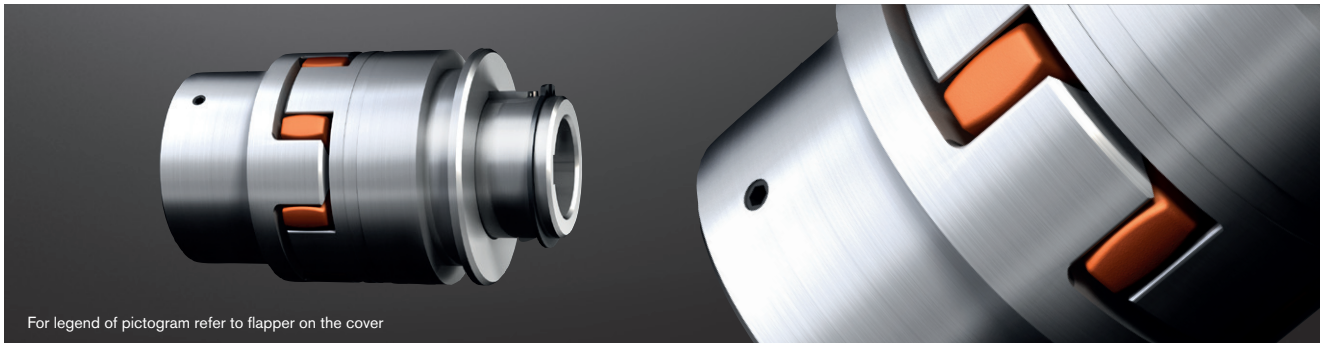
ROTEX® SD

Flexible jaw couplings

Flexible jaw and pin & bush couplings

ROTEX®

Shiftable coupling shiftable at standstill

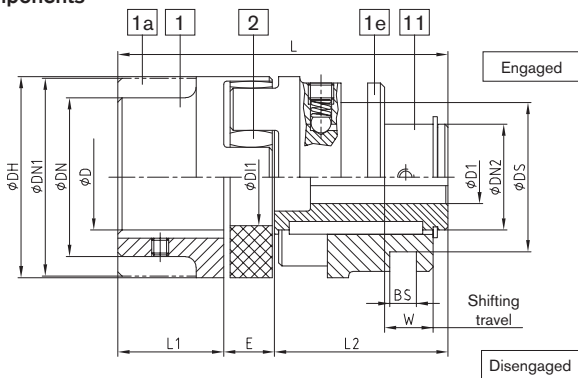


For legend of pictogram refer to flapper on the cover

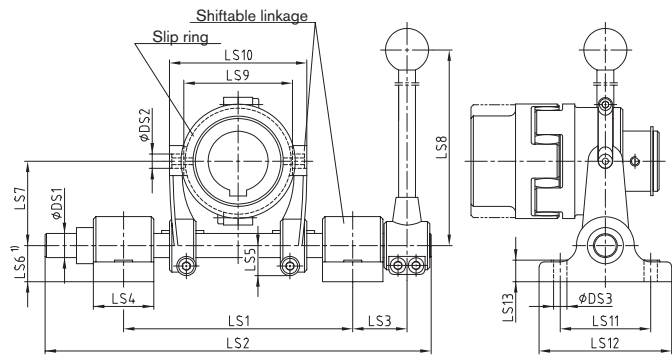


ROFLEX®

Components



Type SD



Type SD with slip ring and shiftable linkage

POLY-NORM®

Upon request: Shiftable linkage available with locking pin, locking device and retrieval of shift position.

ROTEX® Type SD																
Size	D, DN, DN1	Dimensions [mm]											Shifting force set in [N]	Slip ring size	Shiftable linkage size	
		Finish bore D1		DH	DI1	DN2	DS±0.1	L	L1	L2	L6±0.1	E				W
min.	Max.															
24		8	20	55	27	30	41	98	30	51.5	6.0	16.5	16.0	110	-	-
28		10	24	65	30	36	58	113	35	60.0	8.0	18.0	17.5	130	-	-
38	Jaw coupling: page 38 to 40 Stock programme: page 36 and 37	12	30	80	38	45	70.5	140	45	73.0	12.5	22.0	21.0	150	1.1	1
42		14	35	95	46	50	70.5	156	50	82.0	12.5	24.0	23.0	180	1.1	1
48		15	42	105	51	60	89.5	172	56	90.5	17.5	25.5	24.5	200	2.2	2
55		18	50	120	60	70	112.5	195	65	103.0	18.0	27.0	26.0	250	3.3	3
65		20	55	135	68	80	112.5	227	75	120.0	18.0	32.0	30.5	280	3.3	3
75		25	65	160	80	95	130.5	257	85	135.0	20.5	37.0	35.0	350	4.4	3
90		28	75	200	100	110	164.5	293	100	152.0	25.5	41.0	39.5	350	5.5	4
100		30	80	225	113	115	164.5	325	110	169.0	25.5	46.0	44.0	380	5.5	4
110		35	85	255	127	125	164.5	355	120	184.0	25.5	51.5	48.5	450	5.5	4
125		40	100	290	147	145	210.5	404	140	208.5	30.5	55.5	53.0	500	6.6	5

POLY

Slip ring and shiftable linkage																			
Size	Size of shiftable linkage	Dimensions [mm]																	Max. speed [rpm] of slip ring
		DS1	DS2	DS3	LS1		LS2	LS3	LS4	LS5	LS6	LS7	LS8	LS9	LS10	LS11	LS12	LS13	
min.	Max.																		
38	1	20	12	11	180	190	320	55	50	25	30	70	400	90	114	75	110	18	3280
42	1																		
48	2	25			240	270	430	60		27		97.5	450	111	151				2550
55	3																		
65	3	30	17		280	310	490			32.5	40	120	600	140	180	100	140		2120
75	3																		
90	4			13.5				70	60					170	210			25	1710
100	4	35	21		321	365	565			37.5	50	147.5	750	200	244	120	160		1360
110	4																		
125	5	40	25		365	410	630	80		46		190	1085	250	300				855

¹⁾ With a through base plate dimension „LS6“ of the shiftable linkage size 5 to be increased by at least 10 mm. Finish bore according to ISO fit H7, feather keyway according to DIN 6885, sheet 1 [JS9].

Ordering example:	ROTEX® 38	SD	With 1.1 and 1	98 ShA	1	Ø38	11	Ø28
	Coupling size	Type	With slip ring 1.1 and shiftable linkage 1	Spider hardness	Component	Finish bore	Component	Finish bore

REVOLEX®