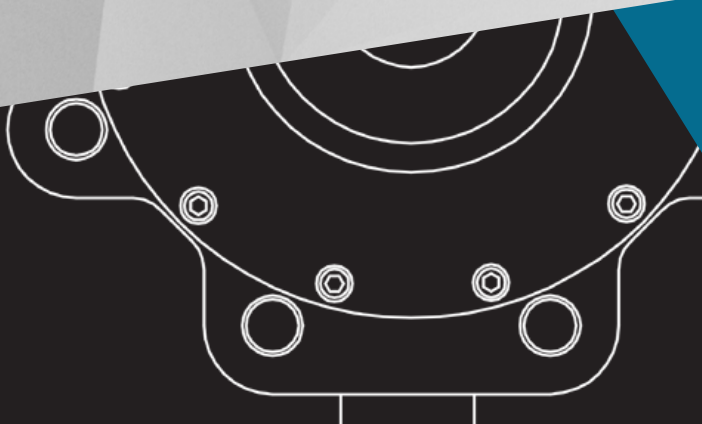


800 Series

HIGH PERFORMANCE BUTTERFLY VALVES
2" Through 48" Sizes & Larger, Class 150, 300, & 600 Double Offset Valves



Additional regional and/or industry specific approvals and certifications are being added frequently. Please contact Max Air Technology for more information about current approvals status.



CE Marking

is a mandatory conformity marking for certain products sold within the European Economic Area (EEA) since 1985. The CE marking is also found on products sold outside the EEA that are manufactured in, or designed to be sold in, the EEA. This makes the CE marking recognizable worldwide even to people who are not familiar with the European Economic Area. It is in that sense similar to the FCC Declaration of Conformity used on certain electronic devices sold in the United States. The CE marking is the manufacturer's declaration that the product meets the requirements of the applicable EC directives.



ISO 5211:

This standard defines a standardized interface system between industrial valves and the part turn actuators used operate them. It details the dimensional requirements for both the mounting flanges on both devices as well as the driving and driven components. This standardization simplifies the design of or eliminates the need for interface components between part turn valves and actuators.



ISO 15848-1

Fugitive Emissions

Our valves are equipped with packing arrangements which comply with this standards requirements for fugitive emissions.



API 607 Fire-Safe

Our fire safe trim valves have been tested by independent third party laboratories and proven to meet the requirements of the 7th edition of this standard.

Standards & Compliance on Standard Products

- **API 609** – Designed in full compliance with this governing standard and MSS SP-68
- **API 598 / MSS SP61** – All valves tested in compliance
- **ASME B16.34** – Design compliance
- **API 607** – Designed in compliance with independent 3rd party testing
- **ASME B16.5** – Flange dimension compliance
- **ASME / FCI 70-2** Seat leakage compliance
- **ISO 15848-1** – Fugitive Emissions compliance
- **MSS SP-25** – Marking compliance



API 609

API 609 is the governing standard for butterfly valve design. Our valves are designed in full compliance with this standard and as such, also comply with the other relevant design and testing standards including MSS SP61, SP25, ASME B16.34, API 598, and others.

3-Year Limited Warranty

Max-Air Technology, Inc., hereinafter referred to as "MAX-AIR", provides the following limited 3-year manufacturer's warranty regarding all Delta T brand labeled quarter turn valve products manufactured by MAX-AIR. This warranty includes all valves which are manufactured by MAX-AIR and only applies to those items which are clearly identified as Delta T brand labeled products. The warranty stated herein is expressly in lieu of all other warranties and representations, expressed or implied, or statutory, including, without limitation, the implied warranty of fitness for a particular purpose.

MAX-AIR warrants its products to be free from defects in materials and workmanship when these products are used for the purpose for which they were designed and manufactured. MAX-AIR does not warrant its products against chemical or stress corrosion or against any other failure other than from defects in materials or workmanship. The warranty period is for thirty-six months from the delivery date by MAX-AIR to its customers. Any claims regarding this warranty must be in writing and received by MAX-AIR before the last effective date of the warranty period.

Upon receipt of a warranty claim, MAX-AIR reserves the right to inspect the product(s) in question at either the field location or at a MAX-AIR designated facility. If, after the inspection of the product(s) in question, MAX-AIR determines that the purchaser's claim is covered by this warranty, MAX-AIR's sole liability and the purchaser's sole remedy under this warranty is limited to the refunding of the purchase price or repair or replacement thereof, at the sole discretion of MAX-AIR.

MAX-AIR will not be liable for any repairs, labor, material, or other expenses that are not specifically authorized in writing by MAX-AIR, and in no event shall MAX-AIR be liable for any direct or consequential damages arising out of any defect from any cause whatsoever. If any Delta T brand labeled products are modified or altered in any way, without the expressed written consent of MAX-AIR, the products will not be covered by this warranty.

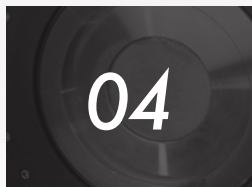
MAX-AIR shall not be liable for any incidental, consequential or other damages, costs, or economic losses, including, without limitation, any resulting from labor charges, delays, vandalism, negligence, fouling caused by foreign material damage from adverse flow conditions, chemicals, or acts of God, or circumstances that are not controllable or reasonably foreseeable by MAX-AIR.

This warranty shall be invalidated in all circumstances where MAX-AIR, acting reasonably, determines that the product(s) was subject to abuse, misuse, neglect, or improper application, installation, alteration or modification not authorized in writing by MAX-AIR. All claims received by MAX-AIR beyond the warranty period are invalid and shall not be accepted.

Except for the express written warranty contained herein, MAX-AIR does not make any other warranty, condition, guarantee, or indemnity, express or implied, statutory or otherwise, regarding the products including without limitation, to the extent permitted by law, any warranty or merchantability or fitness for a particular purpose. All other warranties, conditions, guarantees and indemnities regarding any products are hereby disclaimed, excluded and overwritten.

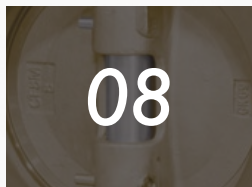


Contents



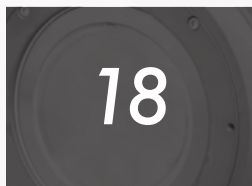
Features & Materials

Features, Benefits, Exploded View, & Materials



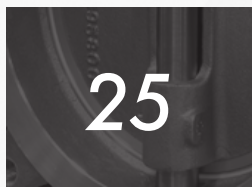
Dimensions

*Wafer, Lug, & Flanged Body Styles
Class 150, 300, & 600 Dimensions*



Technical Data

*Torques, Cv Values, Pressure Temperature
Chart, & Part Number Builder*



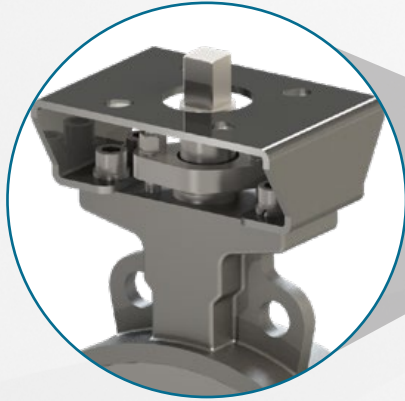
Ordering Guideline

Ordering Guideline & Crossover

High Performance Butterfly Valve

Features & Benefits

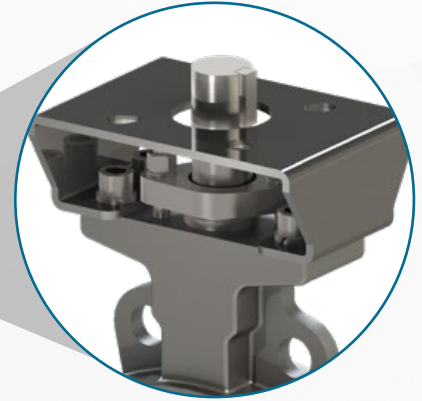
ISO Bracket Mount
Square for 14"- 24"



ISO Direct Mount
Square for 2"- 12"

ISO 5211
DIRECT MOUNT

ISO Bracket Mount
Keyed for 24"-60"



**EASY-ADJUST
PACKING GLAND**
Accessible with
actuator mounted
in place.

PACKING

**BLOWOUT PROOF
STEM RETENTION**

EXTENDED NECK
For pipe insulation.

SELF-ENERGIZED SEAT
One-piece design energizes without
secondary components such as
o-rings, springs or wires, resulting in
longer life and reduced maintenance.

Hard Stop
Internal Body Stop

TAPER PINS
Welded in place
after assembly
and testing.

SEAT INSERT
Supports the
seat and allows
for easy changeout.

DOUBLE OFFSET DISC
Eccentric design limits seat
contact through range of
motion, reducing torque
requirements. Standard
CF8M Material.

PRECISION CAST BODY
Available in Lug and Wafer Style,
Parkerized WCB or CF8M.

**Exotic Alloys
Are Our Specialty**

Our High Performance
Butterfly Valves are
available in special
materials including
Aluminum Bronze,
Duplex SS, Super
Duplex, Inconels,
Incolloys, etc.

PTFE LINED SS BEARINGS
Supports stem and
increases service life.



Delta T High Performance Valves

Delta T High Performance Butterfly Valves are designed for demanding applications. Unique seat and body construction allows for easy configurability and maintenance, without compromising shut off capability or service life.

Features & Benefits

- ANSI 150, 300, & 600 in all styles
- Wafer, Lugged, & Flanged styles
- Parkerized WCB & CF8M bodies stocked
(A broad selection of other materials available)
- Blow out proof stem design
- Stainless Steel disc & stem standard on stocked trims
- TFM 1600 seats are standard, other soft seats are available
- Fire Safe & Metal seated versions are available
- ISO 5211 mounting is standard.
(Direct mount for 12" & smaller,
w/ included bracket on larger size)
- Class VI / bubble tight bi-directional sealing on
all soft seated trims
- Control trim w/ anti-noise & anti-cavitation features available
- Bi-directional dead end service (lug and flanged type)

Series Designations

850 - CLASS 150 - ANSI WAFER - 2"- 60"

851 - CLASS 150 - ANSI LUG - 2"- 60"

853 - CLASS 150 - ISO 5752 FLANGED (SHORT) - 2"- 60"

860 - CLASS 300 - ANSI WAFER - 2"- 48"

861 - CLASS 300 - ANSI LUG - 2"- 48"

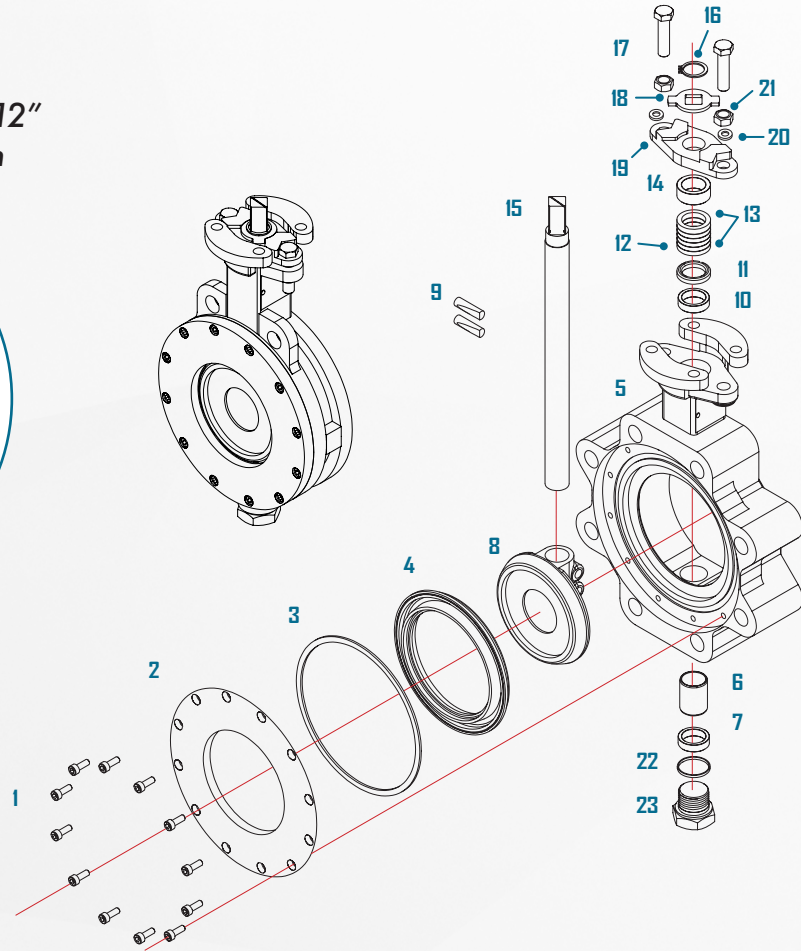
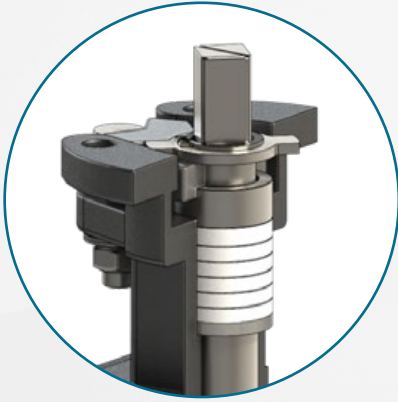
863 - CLASS 300 - ISO 5752 FLANGED (SHORT) - 2"- 48"

871 - CLASS 600 - ANSI LUG - 2"- 24"

800 Series Exploded View Exploded View & Bill of Materials

Rev A

Rev A: ISO Direct Mount 2"-12"
Flanged Stop Plate Design



Bill of Materials

#	Part	Materials	Material Standard
1	Insert Bolts	304 SS	A193 GR. B8
2	Seat Insert	Parkerized Carbon Steel	ASTM A29 GR1045
		Stainless steel	ASTM A240 GR316
3	Insert Ring	PTFE	n/a
4	Seat	TFM 1600	TFM 1600
5	Body	Carbon Steel	ASTM A216 Gr. WCB
		Stainless steel	ASTM A351 Gr. CF8M
6	Lower Stem Bearing	SS/PTFE Lined	n/a
7	Lower Retaining Ring	304 SS	ASTM A276
8	Disc	Stainless steel	ASTM A351 Gr. CF8M
9	Disc Taper Pins	17-4 PH	ASTM A564 Gr. 630
10	Lower Retaining Ring	304SS	ASTM A276

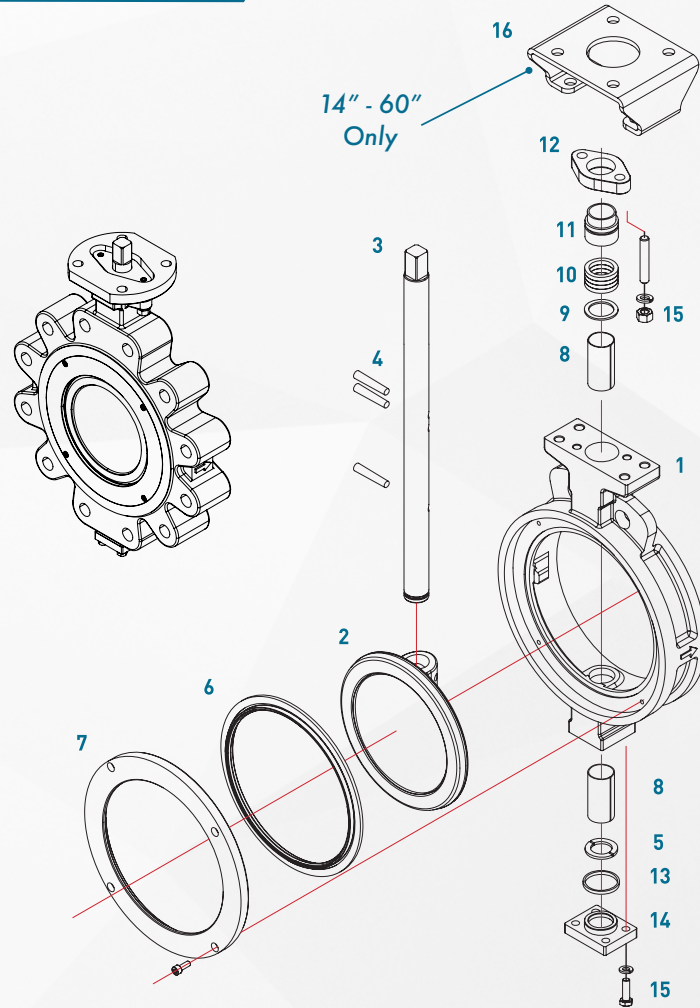
#	Part	Materials	Material Standard
11	Upper Stem Bearing	SS/PTFE Lined	n/a
12	Packing Ring	304 SS	ASTM A276
13	Packing	PTFE	n/a
14	Upper Retaining Ring	304 SS	ASTM A276
15	Stem	17-4 PH	ASTM A564 Gr. 630
16	Snap Ring	Plated carbon steel	W1-8
17	Gland Bolts	304 SS	A193 GR. B8
18	Stopper Plate	304 SS	ASTM A240
19	Packing Gland	Stainless steel	A351 CF8M
20	Spring Washers	301 SS	ASTM A240
21	Gland Nuts	304 SS	A194 GR. B8
22	Plug Seal	PTFE	n/a
23	Body Plug	Carbon Steel	A216 WCB
		Stainless steel	A351 CF8M



800 Series Exploded View

Exploded View & Bill of Materials

Rev B



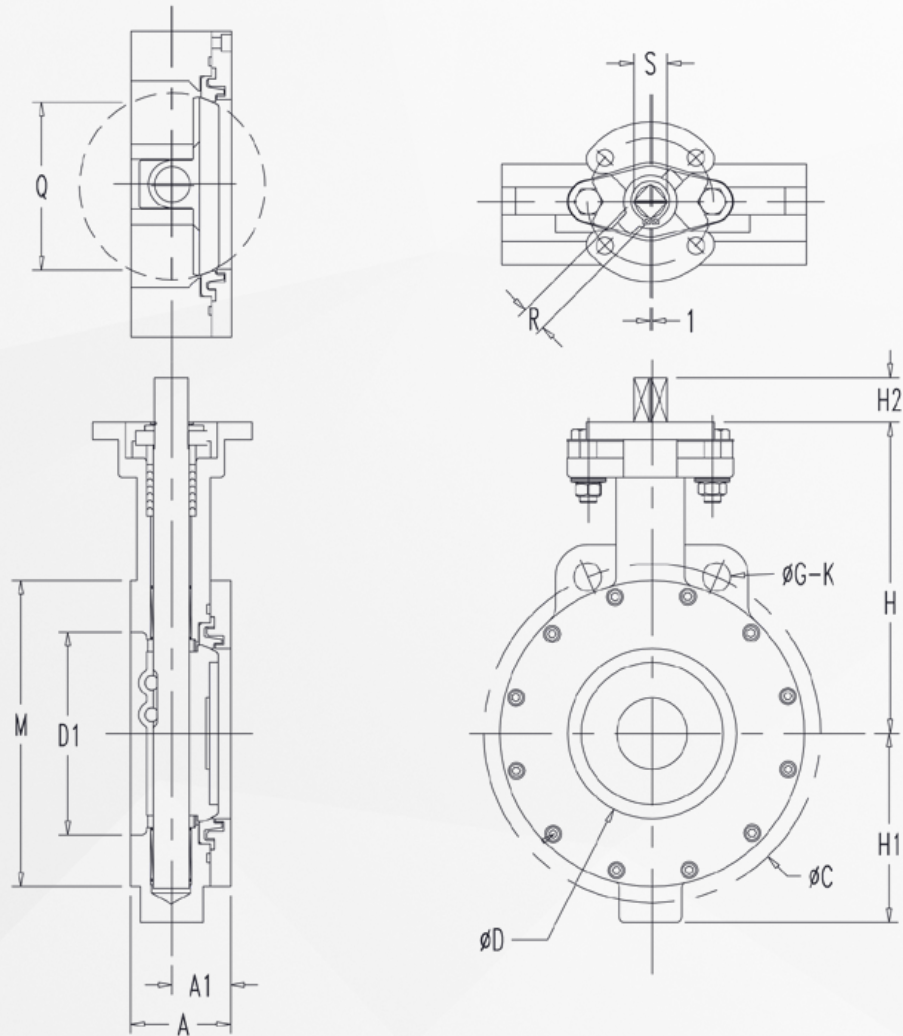
Bill of Materials

#	Part	Materials	Material Standard
1	Body	Parkerized Carbon Steel	ASTM A216 WCB
		Stainless Steel	ASTM A351 CF8M
		Aluminium Bronze	ASTM B148 C95800
2	Disc	Stainless Steel	ASTM A351 CF8M
		Aluminium Bronze	ASTM B148 C95800
		Hard Facing	HCR, Stellite or ENP
3	Stem	Stainless Steel	ASTM A240 304, 316, 420
		17-4PH	ASTM A564 630
		K500 Monel	ASTM B865 NO5500
4	Disc Pin	17-4PH	ASTM A564 630
		Stainless Steel	ASTM A240 304, 316, 420
5	Stem Retainer	Stainless Steel	ASTM A240 304, 316
6	Seat	PTFE	Virgin PTFE
		TFM 1600	TFM 1600
		RTFE	Reinforced PTFE
		Metal Seat	316 SS, Inconel 625, Incoloy 825
		Fire Safe	RTFE/316SS, TFM1600/316SS

#	Part	Materials	Material Standard
7	Retainer Ring	Carbon Steel	ASTM A36
		Stainless Steel	ASTM A240 304, 316
		Aluminium Bronze	ASTM B148 C95400/ C95800
8	Bushing	316SS + PTFE	
9	Packing Retainer	Stainless Steel	ASTM A240 316
10	Packing	PTFE / RTFE - V Packing	
		Graphite	
11	Gland	Stainless Steel	ASTM A351 CF8
12	Gland Bridge	Stainless Steel	ASTM A351 CF8
13	Bottom Packing	PTFE / RTFE	
		Graphite	
14	Bottom Plate	Stainless Steel	ASTM A351 CF8
15	Bolt	ASTM A193 B8	
16	Bracket	Carbon Steel	Stainless Steel

850 (Class 150) Wafer 2" - 12" Dimensions

Rev A



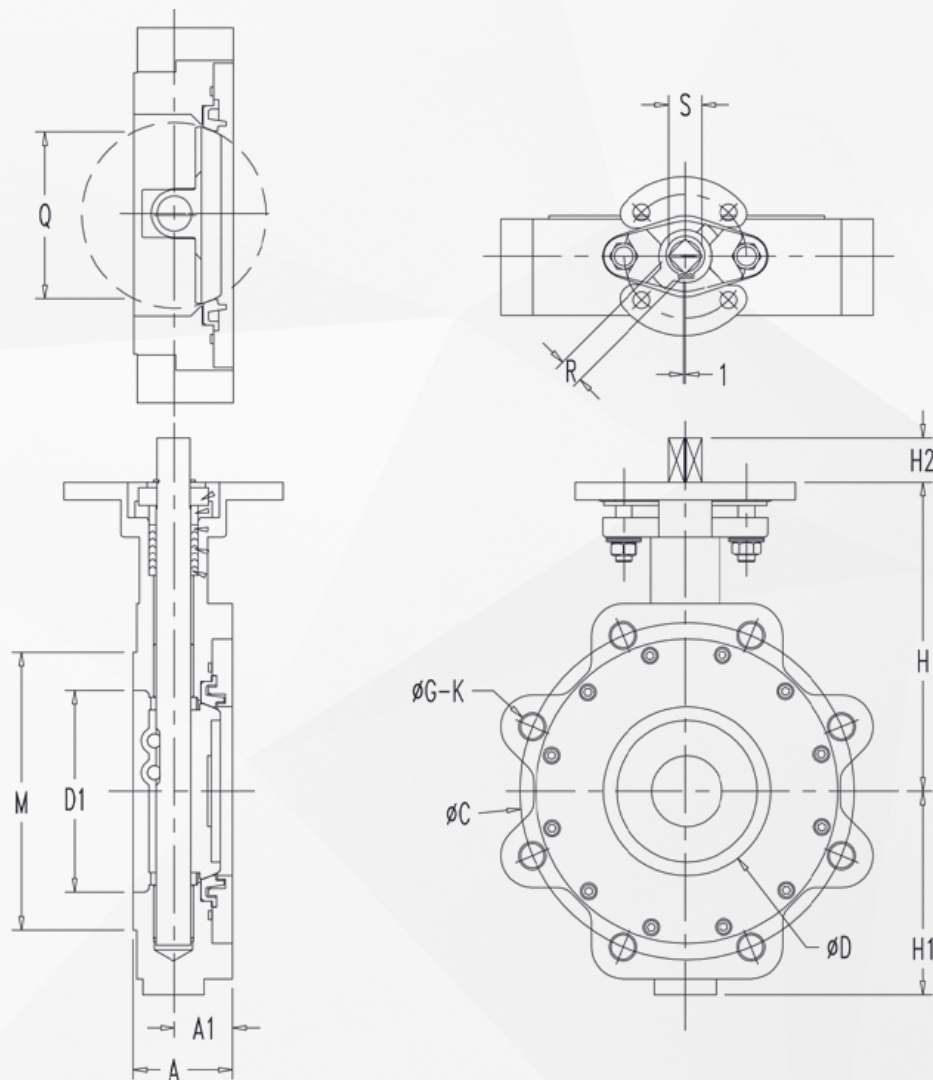
850 Series Rev A | Class 150 Wafer (Units in Inches)

Size	ISO 5211	A	A1	ØC	ØD	ØD1	G	K	H	H1	H2	M	Q	ØS	□R	Handle Size
2"	F07	1.81	1.14	4.75	1.81	2.28	0.67	2	5.00	3.00	0.71	3.62	1.80	0.55	0.43	HPH-01
2.5"	F07	1.93	1.06	5.50	2.32	2.72	0.67	2	5.51	3.79	0.83	4.13	1.97	0.56	0.43	HPH-01
3"	F07	2.01	1.18	6.00	2.87	3.31	0.67	2	5.91	4.21	0.83	5.00	2.80	0.71	0.55	HPH-02
4"	F07	2.22	1.32	7.50	3.76	4.17	0.71	2	6.89	4.68	0.83	6.18	3.71	0.74	0.55	HPH-02
5"	F10	2.32	1.34	8.50	4.37	4.72	0.81	2	7.87	5.12	1.10	7.32	4.21	0.74	0.55	HPH-03
6"	F10	2.36	1.38	9.50	5.59	6.06	0.79	2	8.46	5.71	1.10	8.50	5.53	0.74	0.55	HPH-03
8"	F10	2.56	1.50	11.75	7.48	7.95	0.81	2	9.65	7.06	1.46	10.67	7.48	1.02	0.75	HPH-04
10"	F10/F12	2.83	1.65	14.25	9.29	9.76	0.93	2	11.34	8.23	1.46	12.76	9.29	1.18	0.87	HPH-05
12"	F12	3.27	1.85	17.00	11.11	11.65	1.00	2	12.99	9.84	1.89	15.00	11.08	1.42	1.06	HPH-06



851 (Class 150) Lug 2" - 12" Dimensions

Rev A



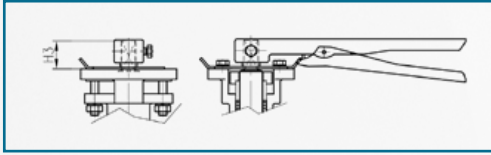
850 Series Rev A | Class 150 Lug (Units in Inches)

Size	ISO 5211	A	A1	ØC	ØD	ØD1	G	K	H	H1	H2	M	Q	ØS	□R	Handle Size
2"	F07	1.81	1.14	4.75	1.81	2.28	5/8"-11 UNC	4	5.00	3.00	0.71	3.62	1.80	0.55	0.43	HPH-01
2.5"	F07	1.93	1.06	5.50	2.32	2.72	5/8"-11 UNC	4	5.51	3.79	0.83	4.13	1.97	0.56	0.43	HPH-01
3"	F07	2.01	1.18	6.00	2.87	3.31	5/8"-11 UNC	4	5.91	4.21	0.83	5.00	2.80	0.71	0.55	HPH-02
4"	F07	2.22	1.32	7.50	3.76	4.17	5/8"-11 UNC	8	6.89	5.02	0.83	6.18	3.71	0.74	0.55	HPH-02
5"	F10	2.32	1.34	8.50	4.37	4.72	3/4"-10 UNC	8	7.87	5.44	1.10	7.32	4.21	0.74	0.55	HPH-03
6"	F10	2.36	1.38	9.50	5.59	6.06	3/4"-10 UNC	8	8.46	6.10	1.10	8.50	5.53	0.74	0.55	HPH-03
8"	F10	2.56	1.50	11.75	7.48	7.95	3/4"-10 UNC	8	9.65	7.06	1.46	10.67	7.48	1.02	0.75	HPH-04
10"	F10/F12	2.83	1.65	14.25	9.29	9.76	7/8"-9 UNC	12	11.34	8.23	1.46	12.76	9.29	1.18	0.87	HPH-05
12"	F12	3.27	1.85	17.00	11.11	11.65	7/8"-9 UNC	12	12.99	9.84	1.89	15.00	11.08	1.42	1.06	HPH-06

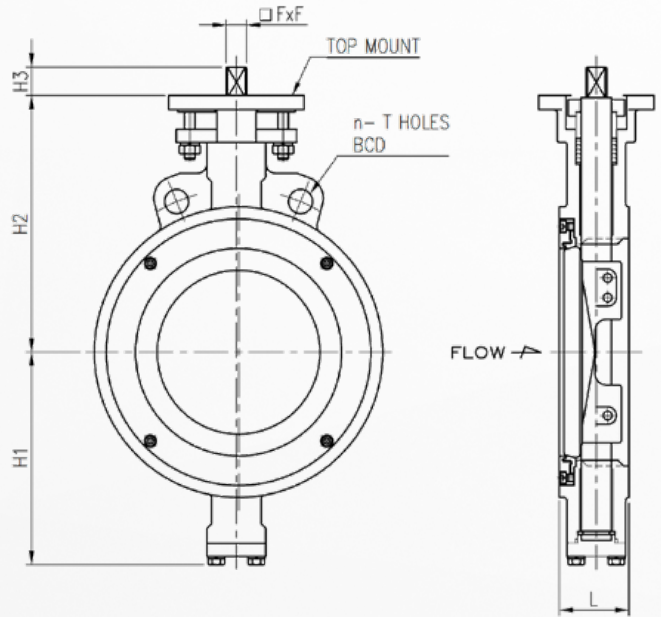
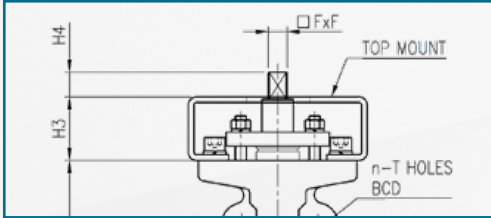
850 (Class 150) Wafer 2" - 16" Dimensions

Rev B

Lever Handle View (2" - 10" Sizes)

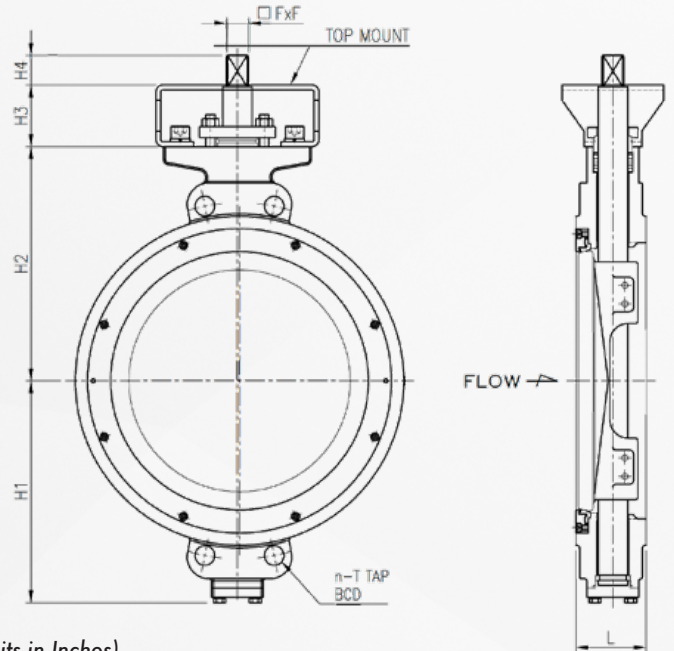


Alternative Mounting (14" - 16" Sizes)



850 (Class 150) Wafer 18" - 24" Dimensions

Rev B



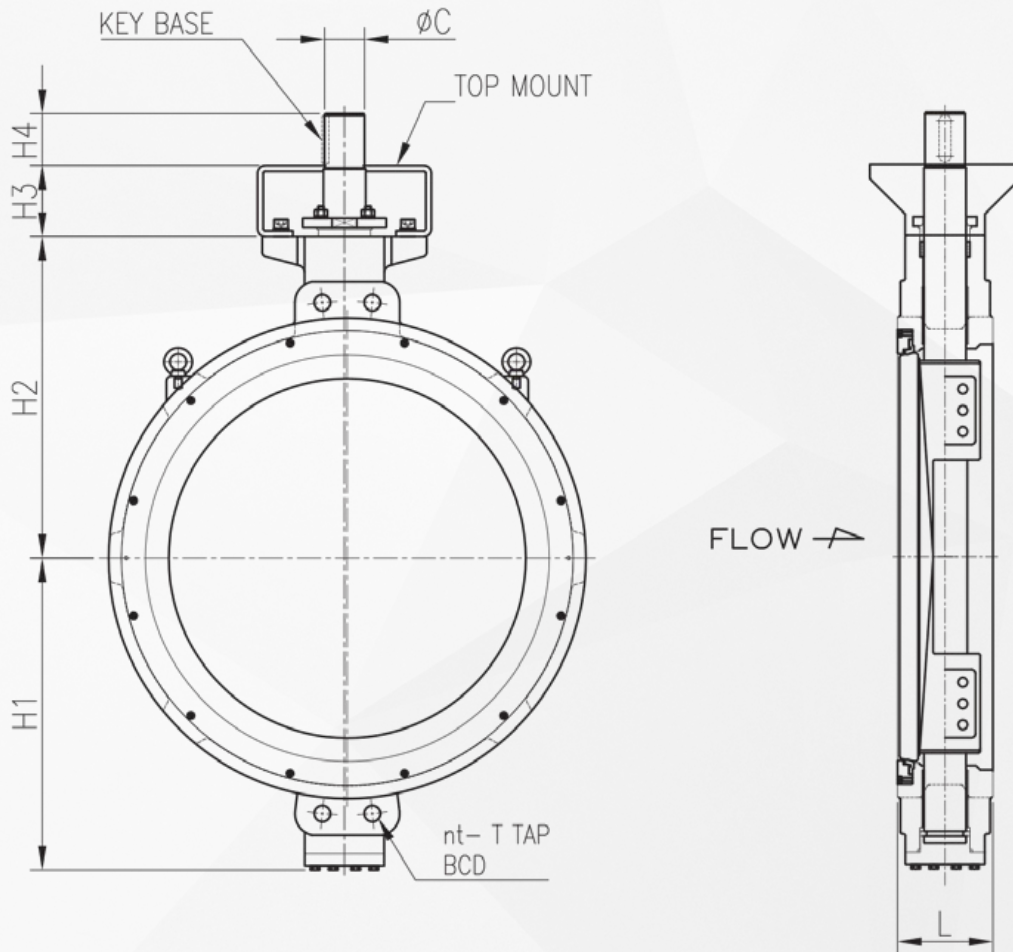
2"-24" | 850 Series Rev B | Class 150 Wafer (Units in Inches)

Size	L	n	ØBCD	ØT	H1	H2	H3	H4	□FxF	ISO Mount	Weight (lbs)	Handle Size
2"	1.69	2	4.75	0.75	3.78	4.92	1.38	n/a	0.43	F07	8.6	HPH-02
2.5"	1.81	2	5.50	0.75	4.02	5.87	1.38	n/a	0.43	F07	10.8	HPH-02
3"	1.89	2	6.00	0.75	4.61	6.30	1.38	n/a	0.43	F07	13.6	HPH-02
4"	2.13	2	7.50	0.75	5.04	7.01	1.38	n/a	0.55	F07	18.7	HPH-03
5"	2.24	2	8.50	0.87	5.75	7.60	1.38	n/a	0.55	F07	29.7	HPH-03
6"	2.24	2	9.50	0.87	6.14	8.07	1.38	n/a	0.55	F10	32.3	HPH-04
8"	2.52	2	11.75	0.87	7.68	9.25	1.38	n/a	0.75	F10	53.5	HPH-05
10"	2.80	2	14.25	1.00	8.66	11.02	1.38	n/a	0.87	F12	81.0	HPH-06
12"	3.19	2	17.00	1.00	10.43	12.20	1.38	n/a	1.06	F12	127.8	n/a
14"	3.62	2	18.75	1.13	11.42	12.40	3.54	1.38	1.06	F12, F14	143.7	n/a
16"	4.02	2	21.25	1.13	12.95	13.78	3.54	1.38	1.06	F14, F16	203.7	n/a
18"	4.49	4	22.75	1-1/8" 8UN	14.21	14.96	3.94	1.89	1.42	F14, F16	304.7	n/a
20"	5.00	4	25.00	1-1/8" 8UN	15.75	16.54	4.33	1.89	1.42	F14, F16	386.8	n/a
24"	6.06	4	29.50	1-1/4" 8UN	18.46	18.90	4.33	1.97	1.81	F14, F16	592.7	n/a



850 (Class 150) Wafer 26" - 48" Dimensions

Rev B



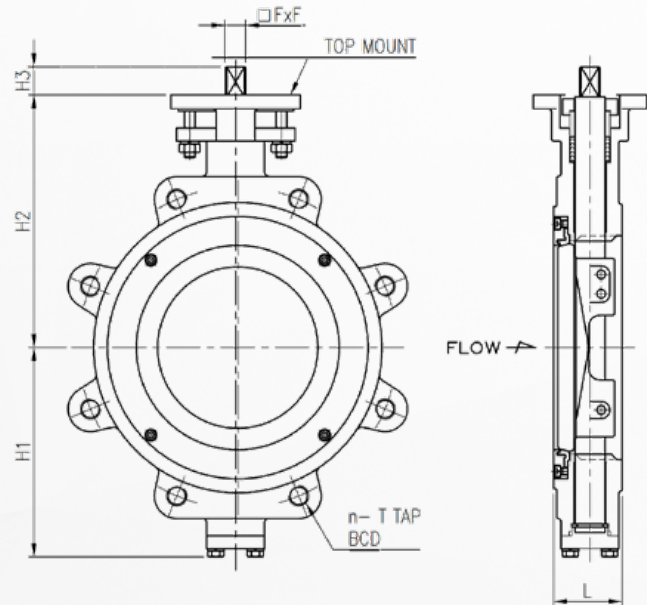
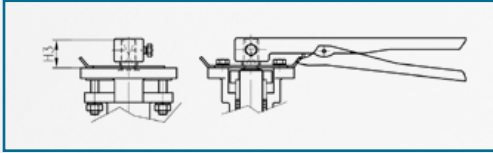
26"-48" | 850 Series Rev B | Class 150 Wafer (Units in Inches)

Size	L	n	ØBCD	ØT	H1	H2	H3	H4	C	Key Base	Top Mount	Weight (lbs)
26"	6.50	4	31.75	1-1/4" (8UN)	19.06	19.49	4.53	3.94	2.56	0.79x0.47	F16-F20	608.5
28"	11.50	4	34.00	1-1/4" (8UN)	21.02	22.05	5.51	3.94	2.95	0.79x0.48	F16-F20	809.1
30"	7.48	4	36.00	1-1/4" (8UN)	21.85	22.64	5.51	3.94	2.95	0.79x0.49	F20-F25	963.4
32"	7.48	4	38.50	1-1/2" (8UN)	23.15	24.80	5.91	4.33	3.15	0.87x0.55	F25-F30	1119.9
34"	7.99	4	40.50	1-1/2" (8UN)	24.02	25.59	5.91	4.33	3.15	0.87x0.56	F25-F30	1285.3
36"	7.99	4	42.75	1-1/2" (8UN)	25.98	26.77	5.91	4.33	3.35	0.98x0.55	F25-F30	1433.0
40"	16.14	4	47.25	1-1/2" (8UN)	28.74	30.12	6.30	4.92	3.54	0.98x0.56	F25-F30	1940.1
42"	16.14	4	49.50	1-1/2" (8UN)	30.28	30.31	6.30	5.91	3.74	0.98x0.57	F30-F35	2429.5
48"	18.50	4	56.00	1-1/2" (8UN)	35.43	35.24	6.30	6.10	4.33	1.10x0.63	F30-F35	3205.5

851 (Class 150) Lug 2" - 12" Dimensions

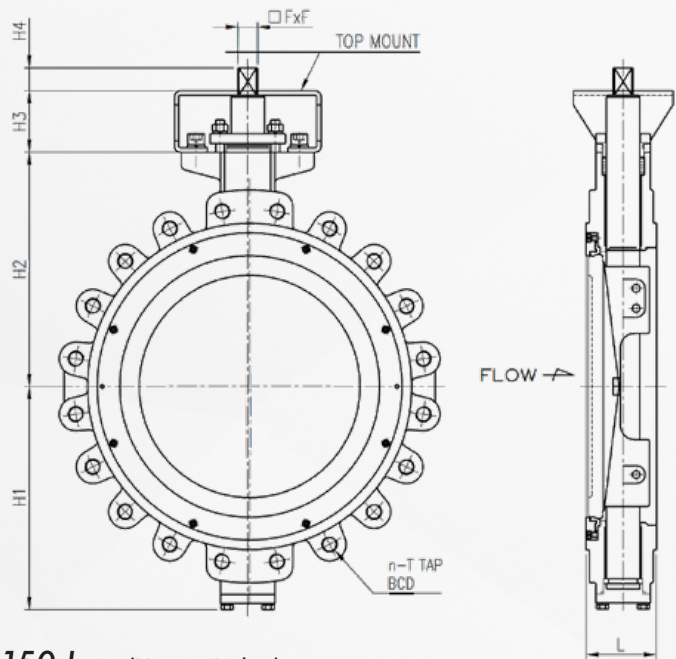
Rev B

Lever Handle View (2" - 10" Sizes)



851 (Class 150) Lug 14" - 24" Dimensions

Rev B



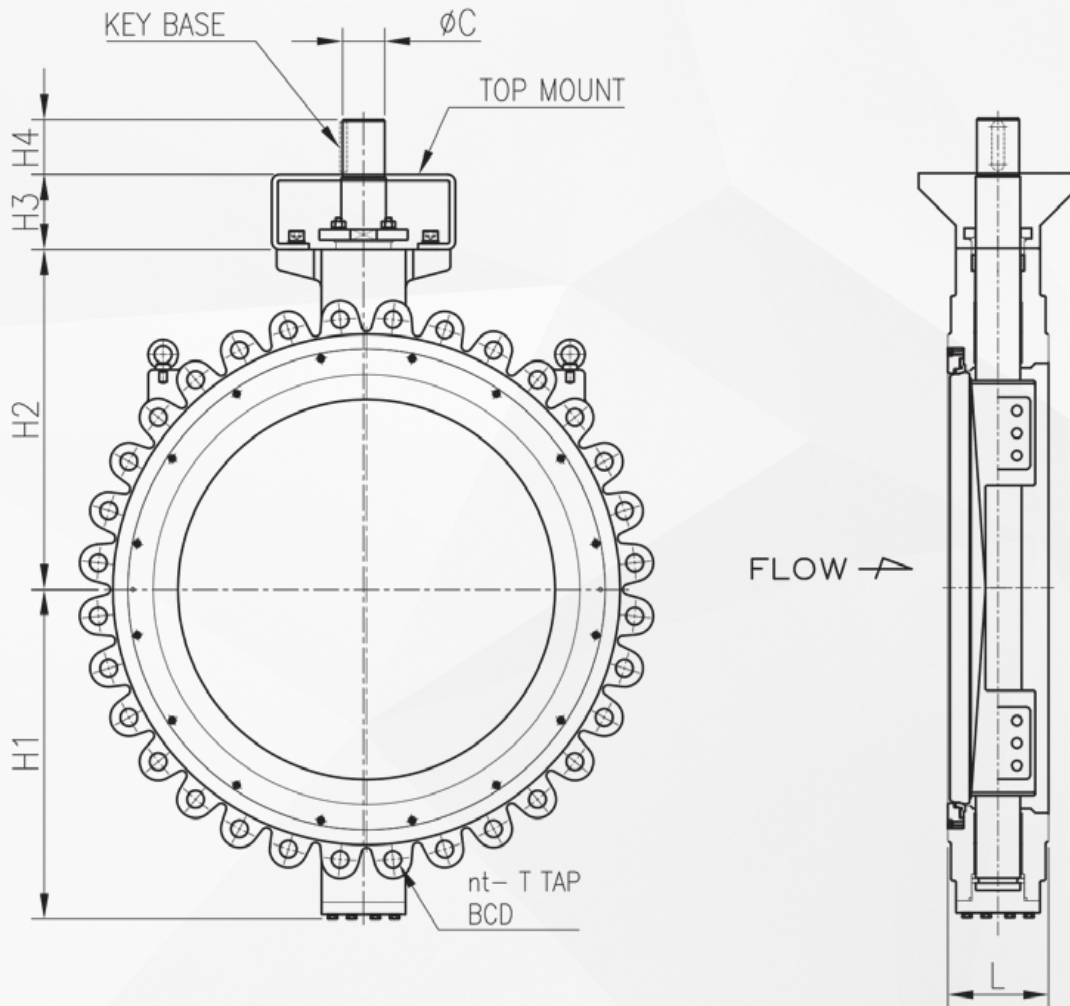
2"-24" | 851 Series Rev B | Class 150 Lug (Units in Inches)

Size	L	n	ØBCD	ØT	H1	H2	H3	H4	□FxF	Top Mount	Weight (lbs)	Handle Size
2"	1.69	4	4.75	5/8" UNC	3.78	4.92	1.38	n/a	0.43	F07	13.4	HPH-02
2.5"	1.81	4	5.50	5/8" UNC	4.02	5.87	1.38	n/a	0.43	F07	15.4	HPH-02
3"	1.89	4	6.00	5/8" UNC	4.61	6.30	1.38	n/a	0.43	F07	18.0	HPH-02
4"	2.13	8	7.50	5/8" UNC	5.04	7.01	1.38	n/a	0.55	F07	28.6	HPH-03
5"	2.24	8	8.50	3/4" UNC	5.75	7.60	1.38	n/a	0.55	F07	41.1	HPH-03
6"	2.24	8	9.50	3/4" UNC	6.14	8.07	1.38	n/a	0.55	F10	51.5	HPH-04
8"	2.52	8	11.75	3/4" UNC	7.68	9.25	1.38	n/a	0.75	F10	69.3	HPH-05
10"	2.80	12	14.25	7/8" UNC	8.66	11.02	1.38	n/a	0.87	F12	114.2	HPH-06
12"	3.19	12	17.00	7/8" UNC	10.43	12.20	1.38	n/a	1.06	F12	177.1	n/a
14"	3.62	12	18.75	1" UNC	11.42	12.40	3.54	1.38	1.06	F12, F14	225.1	n/a
16"	4.02	16	21.25	1" UNC	12.95	13.78	3.54	1.38	1.06	F14, F16	308.0	n/a
18"	4.49	16	22.75	1-1/8" 8UN	14.21	14.96	3.94	1.89	1.42	F14, F16	464.9	n/a
20"	5.00	20	25.00	1-1/8" 8UN	15.75	16.54	4.33	1.89	1.42	F14, F16	564.1	n/a
24"	6.06	20	29.50	1-1/4" 8UN	18.46	18.90	4.33	1.97	1.81	F14, F16	878.7	n/a



851 (Class 150) Lug 26" - 48" Dimensions

Rev B

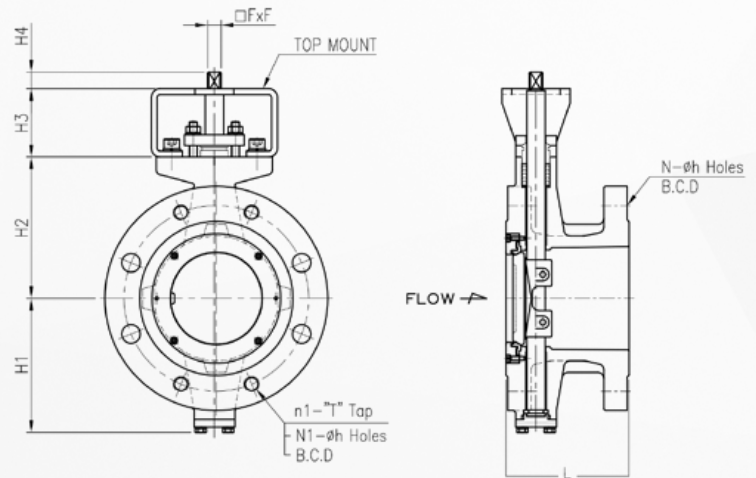
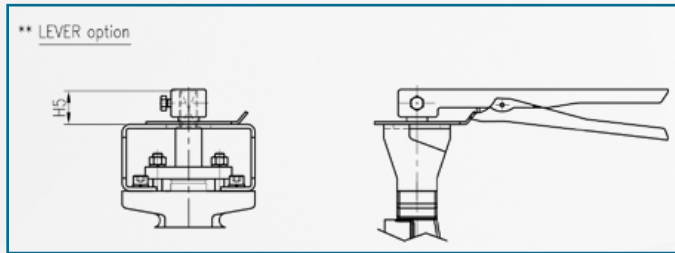


26"-48" | 851 Series Rev B | Class 150 Lug (Units in Inches)

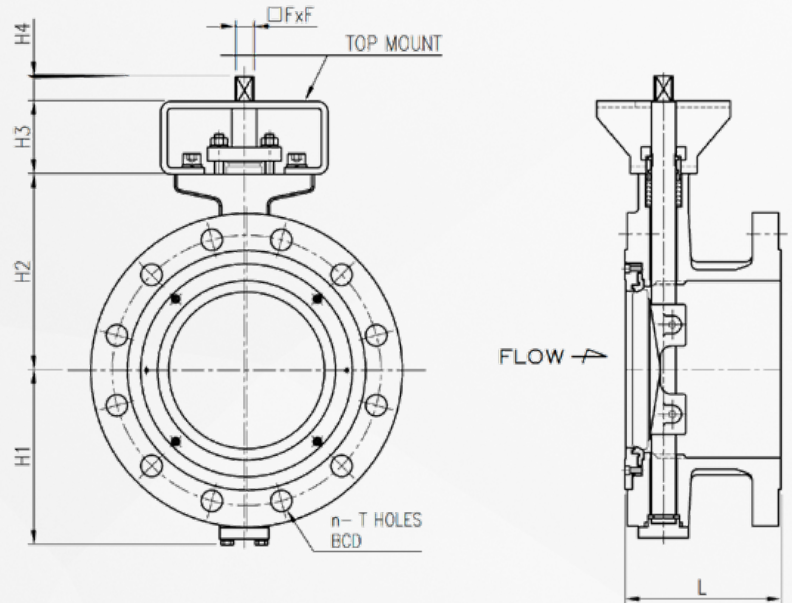
Size	L	n	ØBCD	ØT	H1	H2	H3	H4	C	Key Base	Top Mount	Weight (lbs)
26"	6.50	24	31.75	1-1/4"	19.06	19.49	4.53	3.94	2.56	0.79x0.47	F16-F20	844.4
28"	11.50	28	34.00	1-1/4"	21.02	22.05	5.51	3.94	2.95	0.79x0.48	F16-F20	1049.4
30"	7.48	28	36.00	1-1/4"	21.85	22.64	5.51	3.94	2.95	0.79x0.49	F20-F25	1300.7
32"	7.48	28	38.50	1-1/2"	23.15	24.80	5.91	4.33	3.15	0.87x0.55	F25-F30	1490.3
34"	7.99	32	40.50	1-1/2"	24.02	25.59	5.91	4.33	3.15	0.87x0.56	F25-F30	1715.2
36"	7.99	32	42.75	1-1/2"	25.98	26.77	5.91	4.33	3.35	0.98x0.55	F25-F30	1935.7
40"	16.14	36	47.25	1-1/2"	28.74	30.12	6.30	4.92	3.54	0.98x0.56	F25-F30	2436.1
42"	16.14	36	49.50	1-1/2"	30.28	30.31	6.30	5.91	3.74	0.98x0.57	F30-F35	3086.5
48"	18.50	44	56.00	1-1/2"	35.43	35.24	6.30	6.10	4.33	1.10x0.63	F30-F35	4259.3

853 (Class 150) Flanged 2" - 12" Dimensions

Lever Handle View (2" - 10" Sizes)



853 (Class 150) Flanged 14" - 24" Dimensions

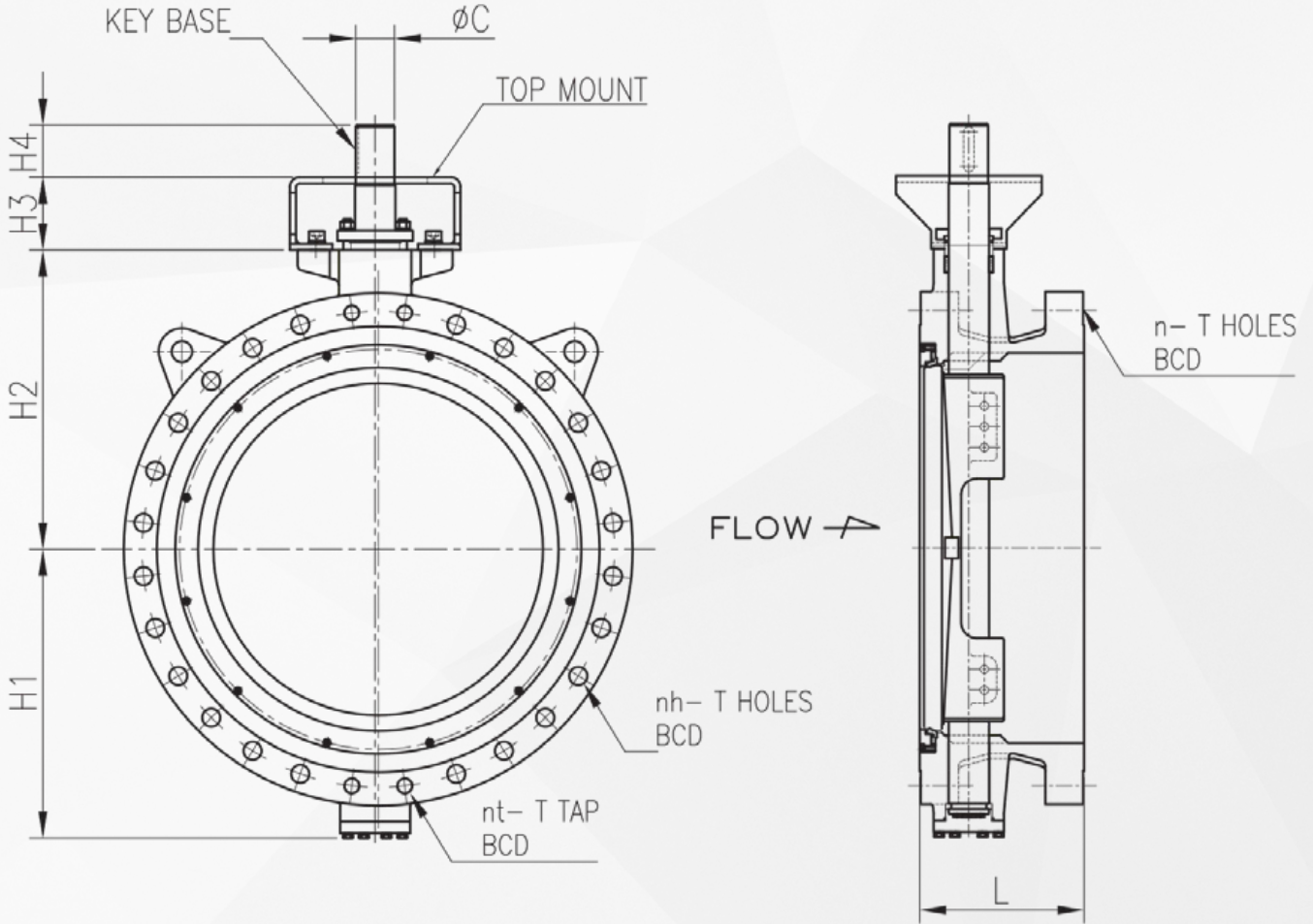


2"-24" | 853 Series | Class 150 Flanged (Units in Inches)

Size	L	n	ØBCD	ØT	H1	H2	H3	H4	H5	□FxF	Top Mount	Weight (lbs)
3"	4.49	4	6.00	0.75	4.61	6.30	2.56	1.38	1.38	0.43	F07	21.6
4"	5.00	8	7.50	0.75	5.04	7.01	2.76	1.38	1.38	0.55	F07	33.0
5"	5.51	8	8.50	0.87	5.75	7.60	2.76	1.38	1.38	0.55	F07	49.5
6"	5.51	8	9.50	0.87	6.14	8.07	2.76	1.38	1.38	0.55	F10	60.1
8"	5.98	8	11.75	0.87	7.68	9.25	2.95	1.38	1.38	0.75	F10	81.4
10"	6.50	12	14.25	1.00	8.66	11.02	3.15	1.38	1.38	0.87	F12	139.7
12"	7.01	12	17.00	1.00	10.43	12.20	3.54	1.38	n/a	1.06	F12	216.0
14"	7.52	12	18.75	1.12	11.42	12.40	3.54	1.38	n/a	1.06	F12, F14	267.3
16"	8.50	16	21.25	1.12	12.95	13.78	3.54	1.38	n/a	1.06	F14, F16	365.2
18"	8.74	16	22.75	1.25	14.21	14.96	3.94	1.89	n/a	1.42	F14, F16	552.6
20"	9.02	20	25.00	1.25	15.75	16.54	4.33	1.89	n/a	1.42	F14, F16	672.1
24"	10.51	20	29.50	1.38	18.46	18.90	4.33	1.97	n/a	1.81	F14, F16	1056.0



853 (Class 150) Flanged 26" - 48" Dimensions

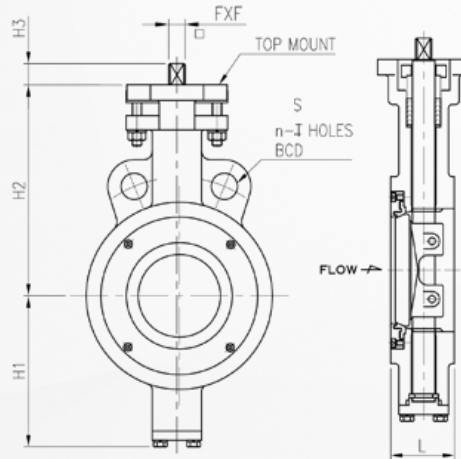
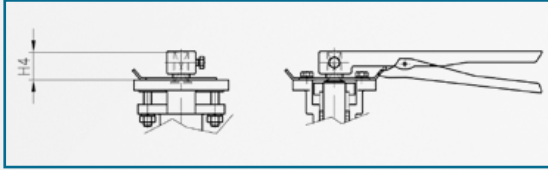


26"-48" | 853 Series | Class 150 Flanged (Units in Inches)

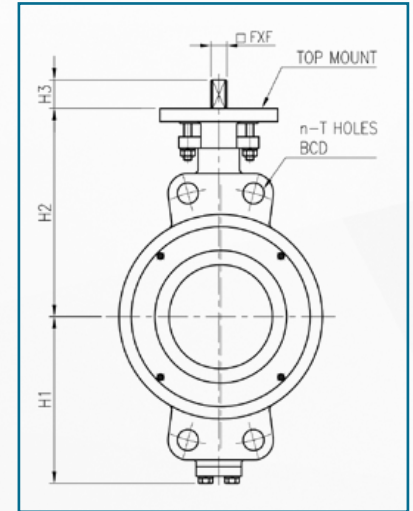
Size	L	n	ϕ BCD	ϕ T	H1	H2	H3	H4	C	Key Base	Top Mount	Weight (lbs)
26"	11.50	20	31.75	1-1/4"	19.06	19.49	4.53	3.94	2.56	0.79x0.47	F16-F20	1399.9
28"	11.50	20	34.00	1-1/4"	21.02	22.05	5.51	3.94	2.95	0.79x0.48	F16-F20	1728.4
30"	12.52	20	36.00	1-1/4"	21.85	22.64	5.51	3.94	2.95	0.79x0.49	F20-F25	2006.2
32"	12.52	20	38.50	1-1/2"	23.15	24.80	5.91	4.33	3.15	0.87x0.55	F25-F30	2275.2
34"	12.99	20	40.50	1-1/2"	24.02	25.59	5.91	4.33	3.15	0.87x0.56	F25-F30	2623.5
36"	12.99	20	42.75	1-1/2"	25.98	26.77	5.91	4.33	3.35	0.98x0.55	F25-F30	2844.0
40"	16.14	20	47.25	1-1/2"	28.74	30.12	6.30	4.92	3.54	0.98x0.56	F25-F30	3604.6
42"	16.14	20	49.50	1-1/2"	30.28	30.31	6.30	5.91	3.74	0.98x0.57	F30-F35	3765.5
48"	18.50	20	56.00	1-1/2"	35.43	35.24	6.30	6.10	4.33	1.10x0.63	F30-F35	4828.1

860 (Class 300) Wafer 2" - 8" Dimensions

Lever Handle View (2" - 8" Sizes)

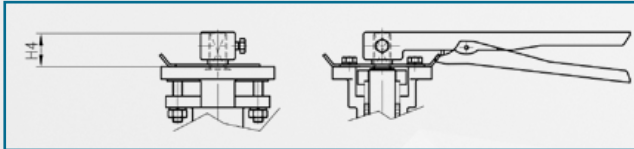


Alternative Design for 6" - 8" Sizes

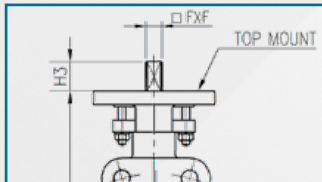


860 (Class 300) Wafer 10" - 24" Dimensions

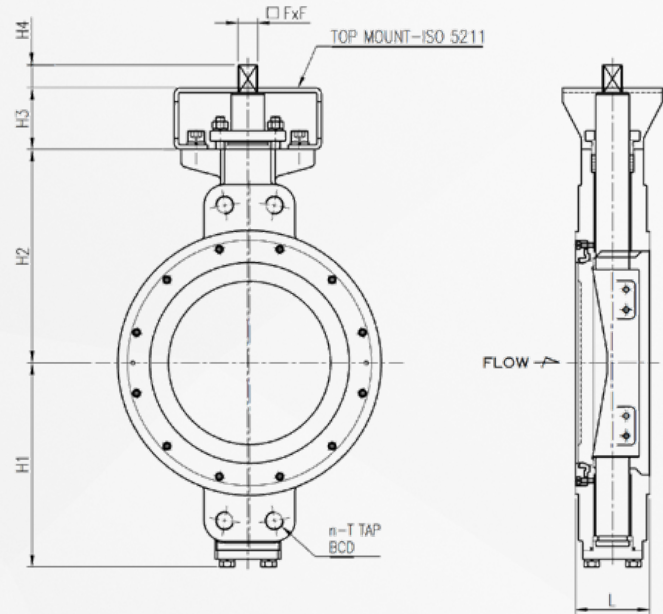
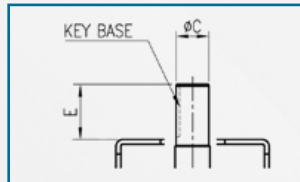
Lever Handle View (10" Sizes)



Alternative Mounting (10" - 12" Sizes)



Alternative Mounting (24" Size)



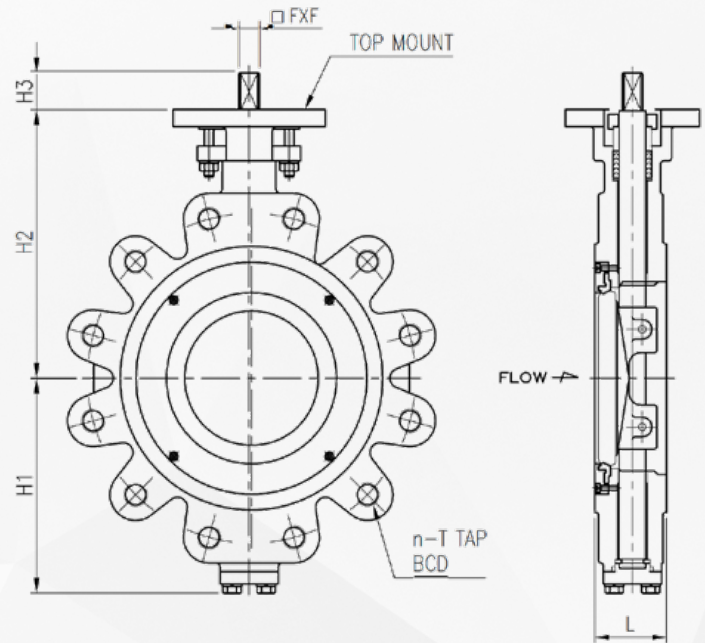
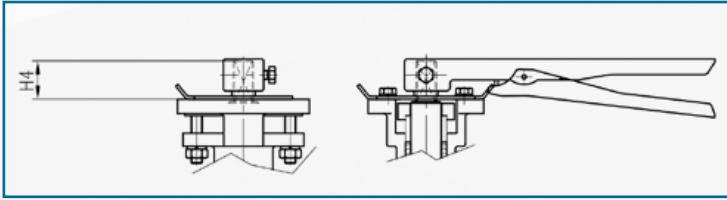
860 Series | Class 300 Wafer (Units in Inches)

Size	L	n	ØBCD	ØT	H1	H2	H3	H4	□Fx	E	C	Key Base	Top Mount	Weight (lbs)
2"	1.69	2	5.00	0.75	3.78	4.92	1.38	1.38	0.43	n/a	n/a	n/a	F07	12.5
2.5"	1.89	2	5.87	0.87	4.02	5.87	1.38	1.38	0.43	n/a	n/a	n/a	F07	15.6
3"	1.89	2	6.63	0.87	4.61	6.30	1.38	1.38	0.43	n/a	n/a	n/a	F07	20.9
4"	2.13	2	7.87	0.87	5.04	7.01	1.38	1.38	0.55	n/a	n/a	n/a	F07	29.0
5"	2.24	2	9.25	0.87	5.75	7.60	1.38	1.38	0.55	n/a	n/a	n/a	F07	43.6
6"	2.32	4	10.63	0.87	6.93	8.66	1.38	1.38	0.67	n/a	n/a	n/a	F10	49.5
8"	2.87	4	13.00	1.00	8.46	10.24	1.38	1.38	0.87	n/a	n/a	n/a	F12	81.4
10"	3.27	4	15.25	1" UNC	10.59	11.42	1.38	1.38	0.87	n/a	n/a	n/a	F12	125.2
12"	3.62	4	17.75	1-1/8" 8UN	11.61	12.80	1.38	n/a	1.06	n/a	n/a	n/a	F12	167.4
14"	4.61	4	20.25	1-1/8" 8UN	12.80	13.98	3.54	1.89	1.42	n/a	n/a	n/a	F14, F16	218.9
16"	5.24	4	22.50	1-1/4" 8UN	14.37	15.43	3.54	1.89	1.42	n/a	n/a	n/a	F14, F16	360.1
18"	5.87	4	24.75	1-1/4" 8UN	16.14	16.46	4.33	1.89	1.42	n/a	n/a	n/a	F14, F16	447.9
20"	6.26	4	27.00	1-1/4" 8UN	17.72	18.70	4.92	1.97	1.81	n/a	n/a	n/a	F25	559.7
24"	7.13	4	32.00	1-1/2" 8UN	20.55	20.87	4.92	n/a	n/a	3.94	Ø2.95	0.79 x 0.47	F25	877.6



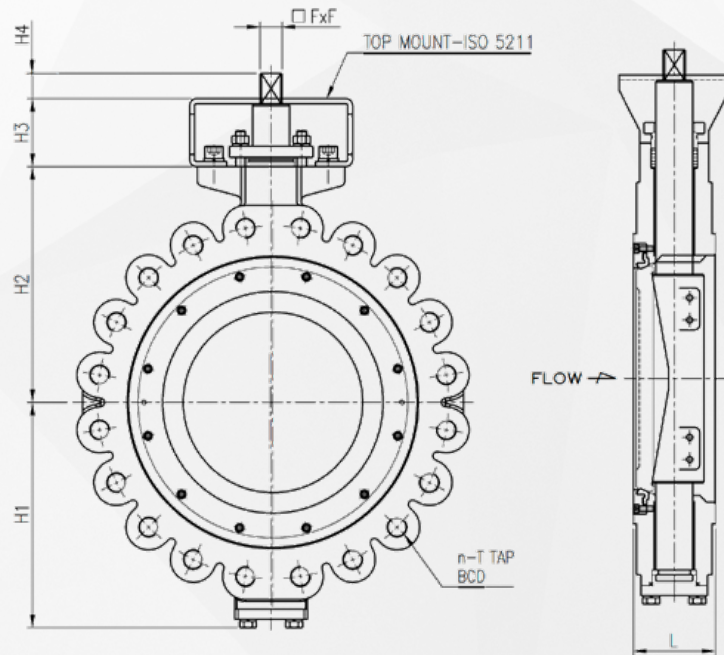
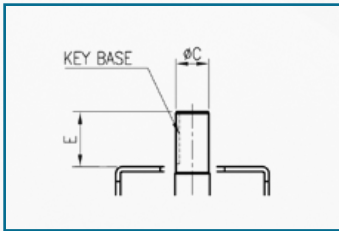
861 (Class 300) Lug 2" - 12" Dimensions

Lever Handle View (2" - 10" Sizes)



861 (Class 300) Lug 14" - 24" Dimensions

Alternative Mounting (24" Size)

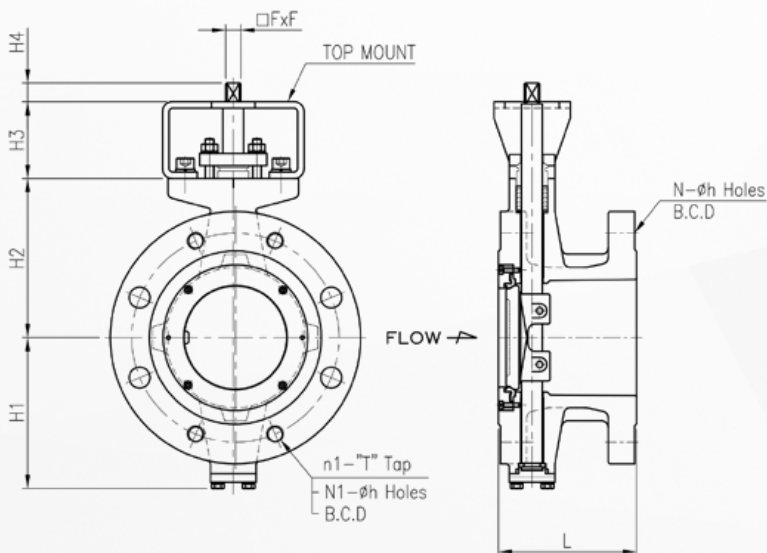
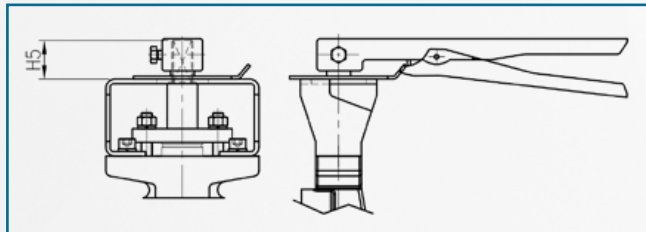


861 Series | Class 300 Lug (Units in Inches)

Size	L	n	ØBCD	ØT	H1	H2	H3	H4	□Fx F	E	C	Key Base	Top Mount	Weight (lbs)
2"	1.69	8	5.00	5/8" UNC	3.78	4.92	1.38	1.38	0.43	n/a	n/a	n/a	F07	18.3
2.5"	1.89	8	5.88	3/4" UNC	4.02	5.87	1.38	1.38	0.43	n/a	n/a	n/a	F07	22.7
3"	1.89	8	6.63	3/4" UNC	4.61	6.30	1.38	1.38	0.43	n/a	n/a	n/a	F07	24.6
4"	2.13	8	7.87	3/4" UNC	5.04	7.01	1.38	1.38	0.55	n/a	n/a	n/a	F07	42.2
5"	2.24	8	9.25	3/4" UNC	5.75	7.60	1.38	1.38	0.55	n/a	n/a	n/a	F07	60.7
6"	2.32	12	10.63	3/4" UNC	6.93	8.66	1.38	1.38	0.67	n/a	n/a	n/a	F10	70.8
8"	2.87	12	13.00	7/8" UNC	8.46	10.24	1.38	1.38	0.87	n/a	n/a	n/a	F12	118.4
10"	3.27	16	15.25	1" UNC	10.59	11.42	1.38	1.38	0.87	n/a	n/a	n/a	F12	168.7
12"	3.62	16	17.75	1 1/8" 8UN	11.61	12.80	1.38	n/a	1.06	n/a	n/a	n/a	F12	261.8
14"	4.61	20	20.25	1 1/8" 8UN	12.80	13.98	3.54	1.89	1.42	n/a	n/a	n/a	F14, F16	464.9
16"	5.24	20	22.50	1 1/4" 8UN	14.37	15.43	3.54	1.89	1.42	n/a	n/a	n/a	F14, F16	563.4
18"	5.87	24	24.75	1 1/4" 8UN	16.14	16.46	4.33	1.89	1.42	n/a	n/a	n/a	F14, F16	708.2
20"	6.26	24	27.00	1 1/4" 8UN	17.72	18.70	4.92	1.97	1.81	n/a	n/a	n/a	F25	939.6
24"	7.13	24	32.00	1 1/2" 8UN	20.55	20.87	4.92	n/a	n/a	3.94	Ø2.95	0.79 x	F25	1335.2

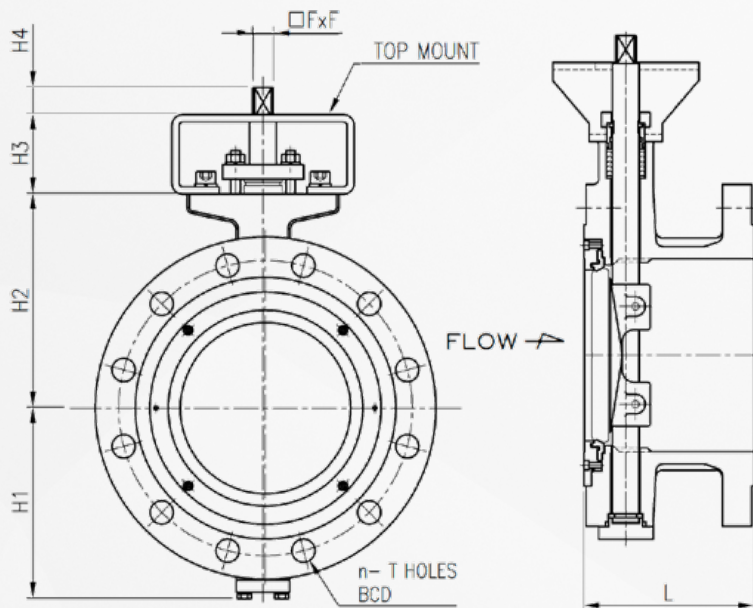
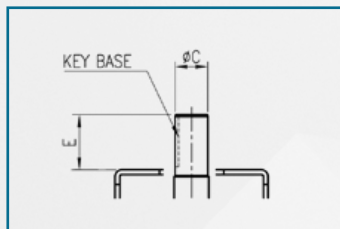
863 (Class 300) Flanged 3" - 12" Dimensions

Lever Handle View (3" - 10" Sizes)



863 (Class 300) Flanged 14" - 24" Dimensions

Alternative Mounting (24" Size)



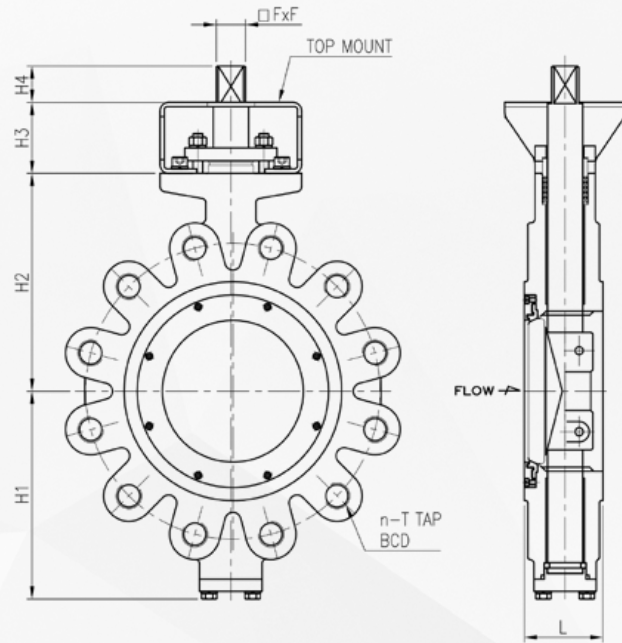
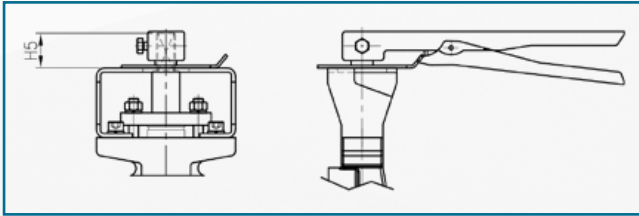
863 Series | Class 300 Flanged (Units in Inches)

Size	L	n	ØBCD	ØT	H1	H2	H3	H4	H5	□FxF	E	C	Key Base	Top Mount	Weight (lbs)
3"	7.09	8	6.63	0.87	4.61	6.30	2.56	1.38	1.38	0.43	n/a	n/a	n/a	F07	29.7
4"	7.48	8	7.87	0.87	5.04	7.01	2.76	1.38	1.38	0.55	n/a	n/a	n/a	F07	50.6
5"	8.27	8	9.25	0.87	5.75	7.60	2.76	1.38	1.38	0.55	n/a	n/a	n/a	F07	77.0
6"	8.27	12	10.63	0.87	6.93	8.66	2.76	1.38	1.38	0.67	n/a	n/a	n/a	F10	84.7
8"	9.06	12	13.00	1.00	8.46	10.24	2.95	1.38	1.38	0.87	n/a	n/a	n/a	F12	141.9
10"	9.84	16	15.25	1.12	10.59	11.42	3.15	1.38	1.38	0.87	n/a	n/a	n/a	F12	205.0
12"	10.63	16	17.75	1.25	11.61	12.80	3.54	1.38	n/a	1.06	n/a	n/a	n/a	F12	319.0
14"	11.42	20	20.25	1.25	12.80	13.98	3.54	1.89	n/a	1.42	n/a	n/a	n/a	F14, F16	561.2
16"	12.20	20	22.50	1.38	14.37	15.43	4.33	1.89	n/a	1.42	n/a	n/a	n/a	F14, F16	687.7
18"	12.99	24	24.75	1.38	16.14	16.46	4.33	1.89	n/a	1.42	n/a	n/a	n/a	F14, F16	862.4
20"	13.78	24	27.00	1.38	17.72	18.70	4.72	1.97	n/a	1.81	n/a	n/a	n/a	F25	1129.0
24"	15.35	24	32.00	1.62	20.55	20.87	4.72	n/a	n/a	n/a	3.94	Ø2.95	0.79 x 0.47	F25	1608.2



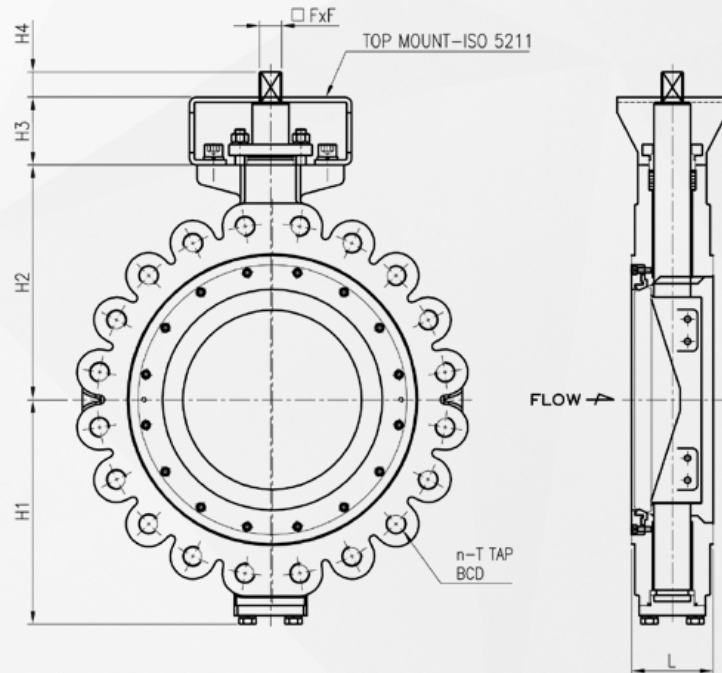
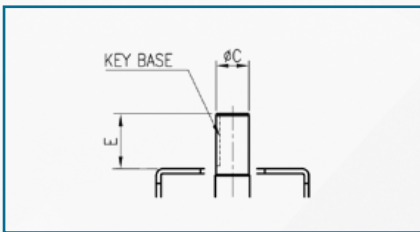
871 (Class 600) Lug 3" - 8" Dimensions

Lever Handle View (3" - 6" Sizes)



871 (Class 600) Lug 10" - 24" Dimensions

Alternative Mounting (12" - 24" Size)



871 Series | Class 600 Lug (Units in Inches)

Size	L	n	ØBCD	ØT	H1	H2	H3	H4	H5	□FxF	E	C	Key Base	Top Mount	Weight (lbs)
3"	2.13	8	6.63	3/4" UNC	4.92	6.57	2.56	1.38	1.38	0.55	n/a	n/a	n/a	F10	33.7
4"	2.52	8	8.50	7/8" UNC	5.71	7.68	2.76	1.38	1.38	0.55	n/a	n/a	n/a	F10	56.1
6"	3.07	12	11.50	1" UNC	8.07	9.65	2.76	1.38	1.38	1.06	n/a	n/a	n/a	F12	84.7
8"	4.02	12	13.75	1-1/8" 8UN	9.45	12.60	4.72	1.89	n/a	1.06	n/a	n/a	n/a	F14	92.4
10"	4.61	16	17.00	1-1/4" 8UN	11.02	11.42	4.72	1.89	n/a	1.06	n/a	n/a	n/a	F14+F16	225.5
12"	5.51	20	19.25	1-1/4" 8UN	12.72	13.98	4.72	n/a	n/a	n/a	3.94	Ø2.17	0.71 x 0.43	F14+F16	378.4
14"	6.10	20	20.75	1-3/8" 8UN	14.57	14.96	5.51	n/a	n/a	n/a	3.94	Ø2.56	0.71 x 0.43	F14+F16	671.4
16"	7.01	20	23.75	1-1/2" 8UN	15.94	17.13	5.51	n/a	n/a	n/a	4.13	Ø2.95	0.79 x 0.47	F14+F16	819.5
18"	7.87	20	25.75	1-5/8" 8UN	17.72	18.50	6.69	n/a	n/a	n/a	4.13	Ø3.35	0.79 x 0.47	F25	1034.0
20"	8.50	24	28.50	1-5/8" 8UN	19.29	19.69	6.69	n/a	n/a	n/a	5.12	Ø3.74	0.98 x 0.55	F25+F30	1353.0
24"	9.13	24	33.00	1-7/8" 8UN	23.03	21.65	7.09	n/a	n/a	n/a	5.12	Ø4.13	0.98 x 0.55	F25+F30	1925.0

C_v Values Class 150

Class 150 C_v Values - Valve Sizing Coefficients (US-GPM/ΔP)

Size (in)		Disc Position								
ANSI	DN	10°	20°	30°	40°	50°	60°	70°	80°	90°
2	50	2	6	16	26	39	55	70	85	95
2.5	65	2	7	19	34	48	65	85	105	120
3	80	3	12	27	48	70	105	145	180	195
4	100	5	25	60	105	145	201	272	350	390
5	125	15	44	83	149	242	366	504	650	695
6	150	17	94	183	285	394	530	684	870	990
8	200	39	181	325	476	690	980	1,389	1,790	2,100
10	250	80	202	454	754	1,185	1,821	2,611	3,541	4,200
12	300	141	280	576	923	1,825	2,671	4,127	5,800	6,300
14	350	150	360	747	1,130	1,909	3,121	4,650	6,700	8,010
16	400	250	432	803	1,422	2,289	3,614	5,251	7,850	9,600
18	450	366	548	1,121	1,869	2,990	4,735	6,800	9,951	11,780
20	500	405	680	1,390	3,040	4,010	6,175	8,795	12,780	15,350
24	600	560	991	2,076	3,803	6,050	9,090	13,302	18,760	21,650
28	700	692	1,562	3,368	5,872	8,200	14,729	19,650	24,270	29,317
30	750	787	1,968	4,290	6,930	9,782	16,829	22,100	29,768	32,625
32	800	890	2,380	5,389	8,240	14,200	20,162	29,802	34,621	38,886
36	900	1,231	2,962	6,811	11,515	18,230	25,672	37,101	44,729	52,120
40	1000	1,630	4,250	9,239	15,289	22,890	30,431	48,725	59,600	68,722
42	1050	1,782	4,722	10,242	16,341	25,782	38,230	53,422	62,626	75,244
46	1150	2,247	5,724	12,230	20,169	31,972	44,877	59,444	73,689	84,720
48	1200	2,672	6,121	14,520	22,490	35,181	48,239	67,600	87,103	99,834



Class 300 Cv Values - Valve Sizing Coefficients (US-GPM/ Δ P)

Size (in)		Disc Position								
ANSI	DN	10°	20°	30°	40°	50°	60°	70°	80°	90°
2	50	2	6	15	24	35	49	62	77	87
3	80	3	11	25	42	66	99	132	152	181
4	100	5	24	55	91	132	189	253	329	362
6	150	16	94	162	253	359	483	629	801	920
8	200	37	181	289	430	629	894	1,278	1,648	1,832
10	250	75	202	403	680	1,081	1,662	2,404	3,260	1,667
12	300	136	280	511	830	1,666	2,438	3,800	5,340	5,701
14	350	150	360	588	1,102	1,743	2,848	4,281	6,169	7,175
16	400	239	432	713	1,290	2,090	3,298	4,835	7,228	8,539
18	450	361	548	995	1,682	2,740	4,322	6,261	9,162	10,547
20	500	392	680	1,233	2,720	3,660	5,636	8,098	11,762	13,992
24	600	548	991	1,841	3,420	5,522	8,297	12,248	17,724	19,223
20	500	405	680	1,390	3,040	4,010	6,175	8,795	12,780	15,350
24	600	560	991	2,076	3,803	6,050	9,090	13,302	18,760	21,650

Class 600 Cv Values - Valve Sizing Coefficients (US-GPM/ Δ P)

Size (in)		Disc Position								
ANSI	DN	10°	20°	30°	40°	50°	60°	70°	80°	90°
3	80	2	8	19	32	50	75	100	116	138
4	100	4	18	42	69	100	144	192	250	275
6	150	12	71	123	192	273	367	478	609	723
8	200	28	138	220	327	478	679	971	1,252	1,420
10	250	57	154	306	517	822	1,263	1,827	2,478	2,787
12	300	103	213	388	631	1,266	1,853	2,888	4,058	4,333
14	350	114	274	447	838	1,325	2,164	3,254	4,688	5,453
16	400	182	328	542	980	1,588	2,506	3,675	5,493	6,490
18	450	274	416	756	1,278	2,082	3,285	4,758	6,963	8,016
20	500	298	517	937	2,067	2,782	4,283	6,154	8,939	10,634
24	600	416	753	1,399	2,599	4,197	6,306	9,308	13,470	14,609

Seating Torques

Class 150

Class 150 Seating Torques (in-lbs) (Multiply Seating Torques by Seat Adjustment Factor)

Size in	50 ΔP		100 ΔP		150 ΔP		200 ΔP		290 ΔP	
	Wet	Dry	Wet	Dry	Wet	Dry	Wet	Dry	Wet	Dry
2"	196	226	207	239	230	266	253	292	276	319
2-1/2"	219	252	230	266	265	305	288	332	311	358
3"	265	305	276	319	299	345	334	385	357	412
4"	380	438	414	478	437	504	506	584	552	637
5"	449	518	472	544	529	611	679	783	805	929
6"	598	690	621	717	863	996	1,036	1,195	1,266	1,460
8"	1,093	1,261	1,208	1,394	1,507	1,739	1,772	2,045	2,416	2,788
10"	1,438	1,660	1,668	1,925	2,209	2,549	2,485	2,868	3,509	4,049
12"	1,841	2,124	2,474	2,854	3,417	3,943	4,108	4,740	5,845	6,744
14"	2,819	3,253	4,027	4,647	5,063	5,841	6,133	7,076	8,629	9,957
16"	3,509	4,049	5,063	5,841	6,386	7,368	8,514	9,824	12,139	14,006
18"	4,614	5,324	6,593	7,607	8,250	9,519	11,034	12,732	15,809	18,241
20"	6,743	7,780	9,631	11,112	12,035	13,887	16,120	18,600	23,127	26,685
24"	11,529	13,303	14,417	16,635	18,030	20,804	24,151	27,867	34,656	39,988
28"	17,167	19,808	24,335	28,079	32,194	37,147	40,915	47,210	49,142	56,702
30"	19,526	22,530	27,810	32,088	36,819	42,484	46,852	54,060	56,322	64,987
32"	22,977	26,512	32,907	37,970	43,665	50,383	55,597	64,150	66,873	77,161
36"	29,927	34,531	43,159	49,799	57,369	66,195	73,178	84,436	88,113	101,669
40"	38,131	43,997	55,240	63,739	73,546	84,861	93,877	108,320	113,138	130,544
42"	43,527	50,224	63,202	72,926	84,235	97,195	107,546	124,092	129,638	149,582
48"	62,857	72,527	91,668	105,771	122,355	141,178	156,343	180,396	188,617	217,636

Class 150 Seat Adjustment Factor

Code	Seat	Multiplier
P, T	PTFE, TFM 1600	1.00
R	RTFE	1.15
M, N, O, 1, 5	Metal	1.45
F, G, H, I	Fire Safe	1.35

*Note! Torques include safety factor for actuator sizing. Wet torques include 30% safety and assume water service or similar; Dry torques include 50% safety factor and assume Dry Media / Air service or similar.



Class 300 Seating Torques (in-lbs) (Multiply Seating Torques by Seat Adjustment Factor)

Size in	300 ΔP		400 ΔP		500 ΔP		600 ΔP		725 ΔP	
	Wet	Dry	Wet	Dry	Wet	Dry	Wet	Dry	Wet	Dry
2"	368	425	391	451	414	478	449	518	506	584
2-1/2"	414	478	460	531	518	597	575	664	598	690
3"	506	584	552	637	667	770	771	890	920	1,062
4"	782	903	863	996	1,047	1,208	1,231	1,421	1,461	1,686
5"	990	1,142	1,093	1,261	1,346	1,553	1,588	1,832	1,898	2,191
6"	1,427	1,646	1,714	1,978	2,117	2,443	2,520	2,907	3,015	3,478
8"	2,600	3,000	3,429	3,956	4,257	4,912	5,086	5,868	6,121	7,063
10"	4,338	5,005	5,741	6,625	7,157	8,258	8,560	9,877	10,298	11,882
12"	6,662	7,687	8,825	10,183	10,988	12,679	13,163	15,188	15,855	18,295
14"	11,564	13,343	15,349	17,710	19,123	22,065	22,908	26,433	27,614	31,863
16"	14,567	16,808	19,353	22,330	24,128	27,840	28,915	33,363	34,875	40,240
18"	18,582	21,441	24,680	28,477	30,778	35,514	36,877	42,550	44,482	51,325
20"	25,911	29,898	34,460	39,762	42,998	49,613	51,547	59,477	62,201	71,771
24"	41,053	47,369	54,619	63,022	68,196	78,688	81,761	94,340	98,687	113,869

*Note! Torques include safety factor for actuator sizing. Wet torques include 30% safety and assume water service or similar; Dry torques include 50% safety factor and assume Dry Media / Air service or similar.

Class 300 Seat Adjustment Factor

Code	Seat	Multiplier
P, T	PTFE, TFM 1600	1.00
M, N, O, 1, 5	Metal	1.60
F, G, H, I	Fire Safe	1.45

Class 600 Seating Torques (in-lbs) (Multiply Seating Torques by Seat Adjustment Factor)

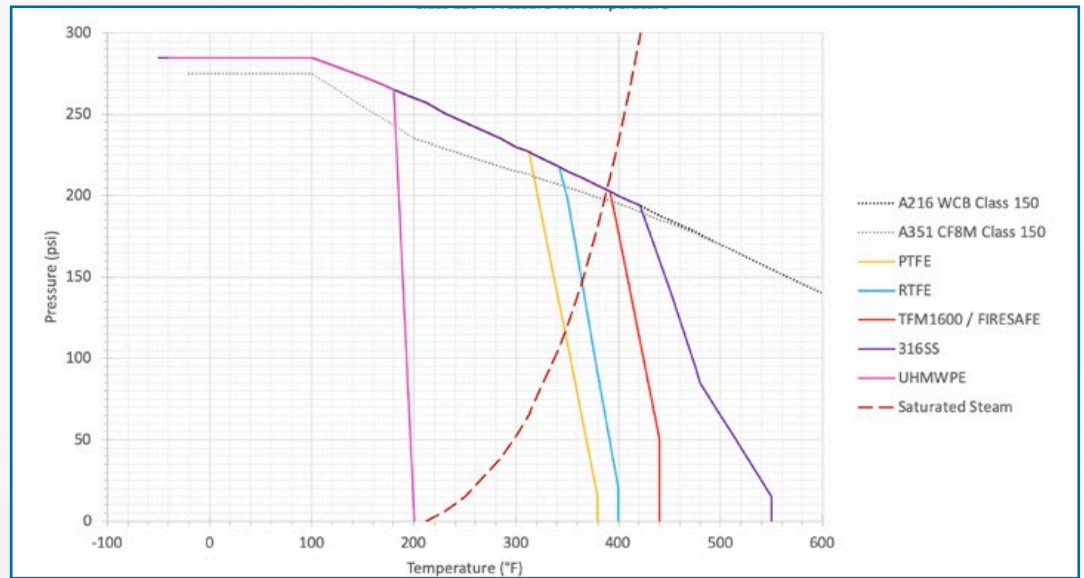
Size in	600 ΔP		750 ΔP		900 ΔP		1100 ΔP		1450 ΔP	
	Wet	Dry	Wet	Dry	Wet	Dry	Wet	Dry	Wet	Dry
3"	943	1,089	1,093	1,261	1,300	1,500	1,542	1,779	1,991	2,297
4"	1,312	1,513	1,565	1,806	1,829	2,111	2,186	2,522	3,256	3,757
6"	2,911	3,359	3,578	4,129	4,246	4,899	5,143	5,934	6,835	7,886
8"	5,546	6,399	6,869	7,926	8,192	9,453	9,964	11,497	13,312	15,360
10"	8,963	10,342	11,138	12,851	13,301	15,347	16,212	18,706	21,746	25,092
12"	15,199	17,538	18,916	21,826	22,644	26,127	27,626	31,876	37,107	42,816
14"	24,565	28,345	30,629	35,341	36,681	42,324	44,793	51,684	60,199	69,461
16"	32,366	37,346	40,351	46,559	48,348	55,786	59,060	68,146	79,391	91,605
18"	40,582	46,825	50,615	58,402	60,648	69,978	74,075	85,472	99,584	114,905
20"	60,959	70,337	76,054	87,755	91,150	105,173	111,378	128,513	149,785	172,829
24"	89,747	103,554	111,999	129,230	134,240	154,893	164,041	189,278	220,627	254,570

*Note! Torques include safety factor for actuator sizing. Wet torques include 30% safety and assume water service or similar; Dry torques include 50% safety factor and assume Dry Media / Air service or similar.

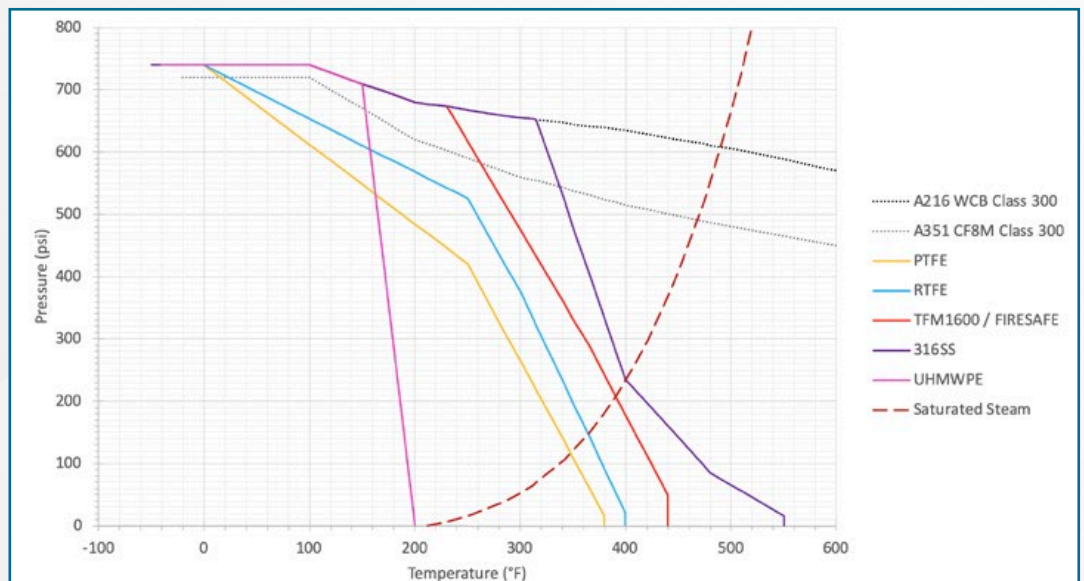
Class 600 Seat Adjustment Factor

Code	Seat	Multiplier
T	TFM 1600	1.00
M, N, O, 1, 5	Metal	1.80
F, G, H, I	Fire Safe	1.45

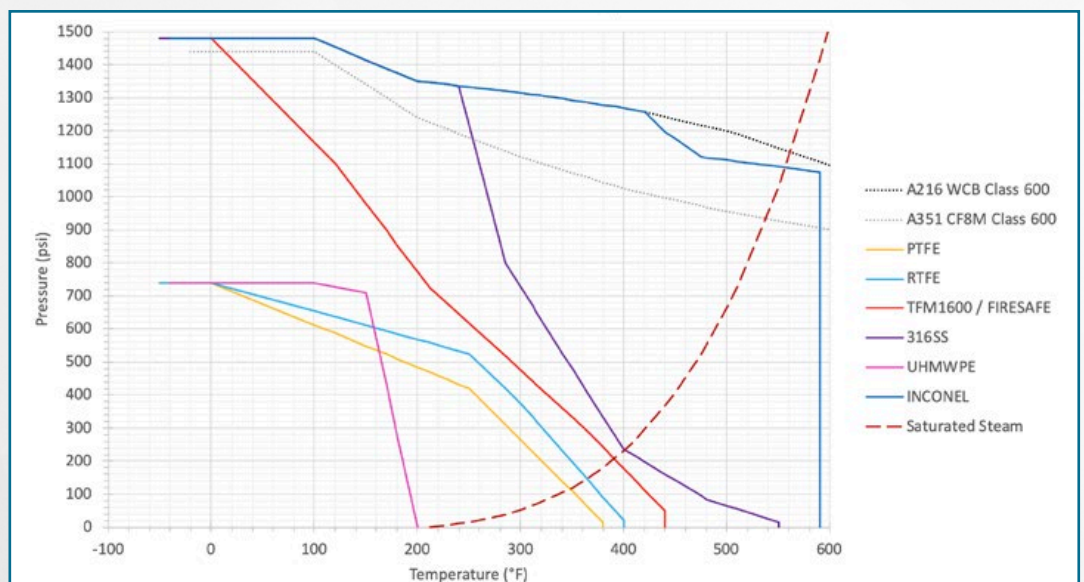
Class 150 - Pressure vs Temperature Chart



Class 300 - Pressure vs Temperature Chart



Class 600 - Pressure vs Temperature Chart



Ordering Guideline

Series 800 Example Part Number, Part Builder, & Crossover Guide

Ex.

A-SIZE
040

 -

B-CODE
850

 -

C-BODY
C

D-DISC
S

E-STEM
P

F-SEAT & PACKING
T

 -

G-OPERATOR
BST

 -

H-SPECIAL

A-SIZE	
020-2"	240-24"
025-2.5"	280-28"
030-3"	300-30"
040-4"	320-32"
050-5"	360-36"
060-6"	400-40"
080-8"	420-42"
100-10"	480-48"
120-12"	540-52"
140-14"	560-56"
160-16"	600-60"
180-18"	640-64"
200-20"	720-72"

B-CODE
850 - CLASS 150 - ANSI/DIN WAFER
851 - CLASS 150 - ANSI LUG
852 - CLASS 150 - DIN LUG
853 - CLASS 150 - ISO 5752 FLANGED (SHORT)
860 - CLASS 300 - ANSI/DIN WAFER
861 - CLASS 300 - ANSI LUG
862 - CLASS 300 - DIN LUG
863 - CLASS 300 - ISO 5752 FLANGED (SHORT)
871 - CLASS 600 - ANSI LUG
872 - CLASS 600 - DIN LUG

C-BODY
C - ASTM A216 WCB
S - ASTM A351 CF8M
B - ALUMINUM BRONZE ASTM B148 C95800
D - 2205 DUPLEX SS-UNS S32205/F51
E - 2507 SUPER DUPLEX SS-UNS S32750/F53
T - ASTM B367 TITANIUM, GRADE C2
L - CARBON STEEL ASTM A352 LCB (BODY, DISC)
OTHER ALLOYS AVAILABLE UPON REQUEST (TITANIUM, INCONEL, HASTELLOY, ETC.)

Previous Part # Crossover Guide

D-DISC
S - ASTM A351 CF8M
X - 316 + HARD CHROME PLATING
B - ASTM B148 C95800 ALUMINUM BRONZE
D - 2205 DUPLEX SS-UNS S32205/F51
E - 2507 SUPER DUPLEX SS-UNS S32750/F53
T - ASTM B367 TITANIUM, GRADE C2
OTHER ALLOYS AVAILABLE UPON REQUEST (TITANIUM, INCONEL, HASTELLOY, ETC.)
NOTE: METAL SEATED TRIMS MUST USE DISC OPTION X

E-STEM
O - 316-ASTM A274-S31600
P - 17-4PH-ASTM A564-TYPE630/17-4PH
D - DUPLEX SS F51/2205 S32205/F51/F60
E - SUPER DUPLEX SS F53/2507 SS-UNS S32750
K - N05500 MONEL K500
OTHER ALLOYS AVAILABLE UPON REQUEST (TITANIUM, INCONEL, HASTELLOY, ETC.)

OLD PART	NEW PART
750-821	850-CSPR
750-822	850-CSOR
750-823	850-CSPP
750-824	850-CSOP
750-825	850-CSPT
750-826	850-CSOT
750-827	850-CSPF
750-828	850-CSOF
751-821	851-CSPR
751-822	851-CSOR
751-823	851-CSPP
751-824	851-CSOP
751-825	851-CSPT
751-826	851-CSOT
751-827	851-CSPF
751-828	851-CSOF
850-821	850-SSPR
850-822	850-SSOR
850-823	850-SSPP
850-824	850-SSOP
850-825	850-SSPT
850-826	850-SSOT
850-827	850-SSPF
850-828	850-SSOF
851-821	851-SSPR
851-822	851-SSOR
851-823	851-SSPP
851-824	851-SSOP
851-825	851-SSPT
851-826	851-SSOT
851-827	851-SSPF
851-828	851-SSOF

F-SEAT & PACKING
P - PTFE SEAT / PTFE PACKING
R - RTFE SEAT / PTFE PACKING
T - TFM 1600 SEAT / PTFE PACKING
U - UHMWPE SEAT / PTFE PACKING
M - METAL SEATED 316 SS + HCR SEAT / GRAPHITE PACKING
N - METAL SEATED INCONEL 600 SEAT / GRAPHITE PACKING
F - RTFE + 316 SS FIRE SAFE SEAT / GRAPHITE PACKING
G - RTFE + INCONEL 600 FIRE SAFE SEAT / GRAPHITE PACKING
H - TFM 1600 + 316 SS FIRE SAFE SEAT / GRAPHITE PACKING
I - TFM 1600 + INCONEL 600 FIRE SAFE SEAT / GRAPHITE PACKING

G-OPERATOR
BST - BARE STEM
HND - LEVER HANDLE
GOP - GEAR OPERATOR
Cxx - CHAINWHEEL OPERATOR ("xx" = LENGTH)

H-SPECIAL
BLANK - (NONE)
O2 - CLEANED AND BAGGED FOR OXYGEN SERVICE
SF - SILICONE FREE CLEANED
VS - VACUUM SERVICE

*Note: 800 Series Part Numbers have been updated with the new product expansion for consistency across series. The three digit trim codes have been updated with four character trim codes that represent the materials of construction.





*QR Code
for Website

THE BRAND
BY WHICH
ALL OTHERS ARE
MEASURED

