

Data Sheet for Joysticks

Desktop Joystick

Series MACH V



- 12 pushbuttons (two integrated into the handle)
- Ergonomic desktop housing
- USB interface (HID 1.1 compliant)

The MACH V series is particularly suitable for CCTV applications. The precise sensors allow sensitive control of the orientation and zoom of video cameras. With the integration of 10+2 push buttons, many different operations can be realized, e.g. selection of the camera to be operated. The 12 buttons integrated in the housing and on the handle can be used for a wide range of switching functions. For example, up to 10 individual surveillance cameras can be selected using the buttons on the housing. Zoom, recording and other functions can be controlled using the buttons in the handle. The extensive functionality of the housing buttons also opens up many new possibilities for other applications, such as medical technology.

Technical Data

Sensor	Hall Effect Sensor
Supply Voltage	5 VDC via USB Interface
Power Consumption	32mA
Independent Linearity Tolerance	±2% full scale
Expected Life	3 million cycles
Mechanical Angle of Movement X-, Y-Axis	36° (±18° from center)
Mechanical Angle of Movement Z-Axis	60° (±30° from center)
Operating Force X-, Y-Axis	2,8 N
Operating Force Z-Axis	0,12 Nm
Operating Temperature	- 25°C..+ 85°C
Weight	440g
Protection Class	For indoor use
Supported Protocols	USB 1.1 Game Controller, Direct X (Gaming Control) Joystick: Three HID axes, Pushbuttons: 12 HID buttons Uses standard DirectX HID drivers
Approvals	EN 55024:1998, EN 55022, CE FCC Part 15 Subpart B Class B RoHs compliant

Order Description

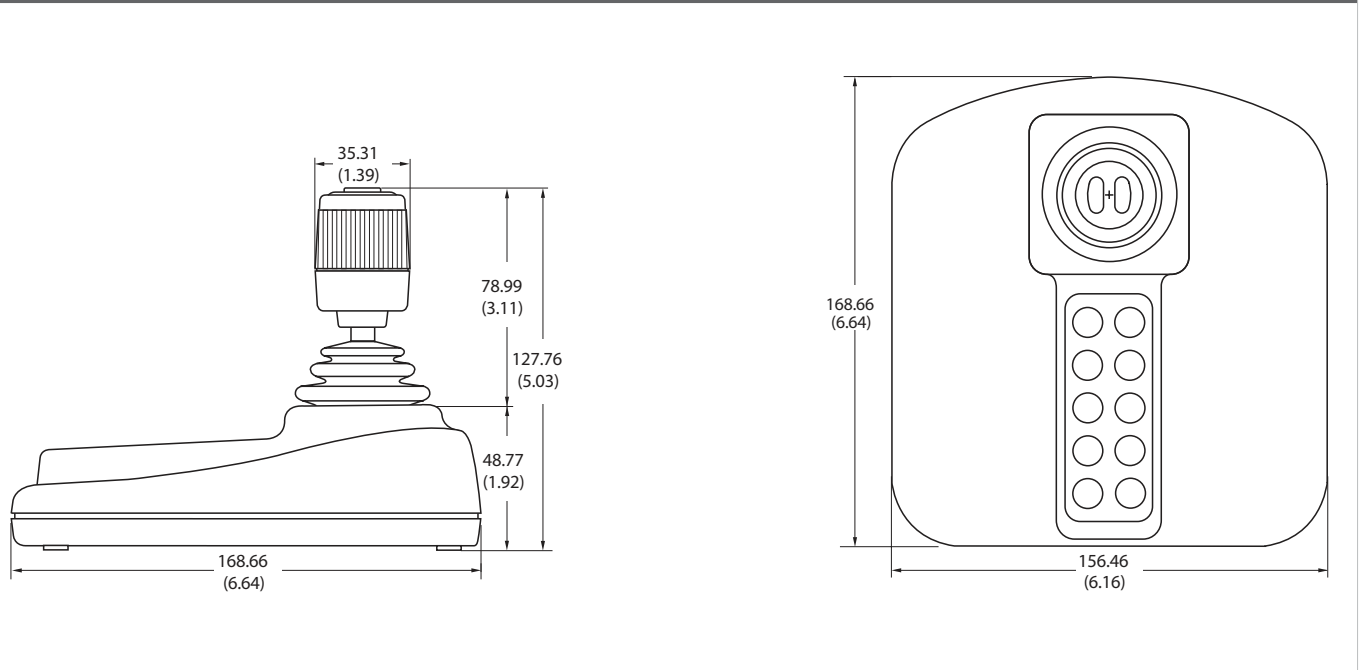
Series	MACH V						
3 Axes with Pushbutton(s)		5					
Rubber Boot			5				
Spring Return				1			
Handle for 3 Axes, 2 Pushbuttons					A		
Limiters square						1	
USB Interface							5

Data Sheet for Joysticks

Desktop Joystick

Series MACH V

Drawing



All dimensions in mm (inch)