

# MVHB-500 series

## HAND LEVER VALVE

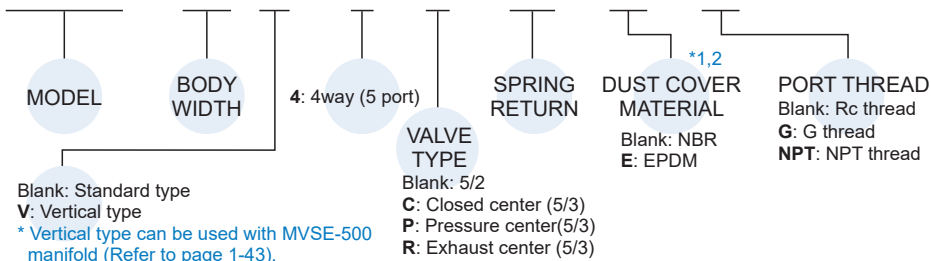


### Specification

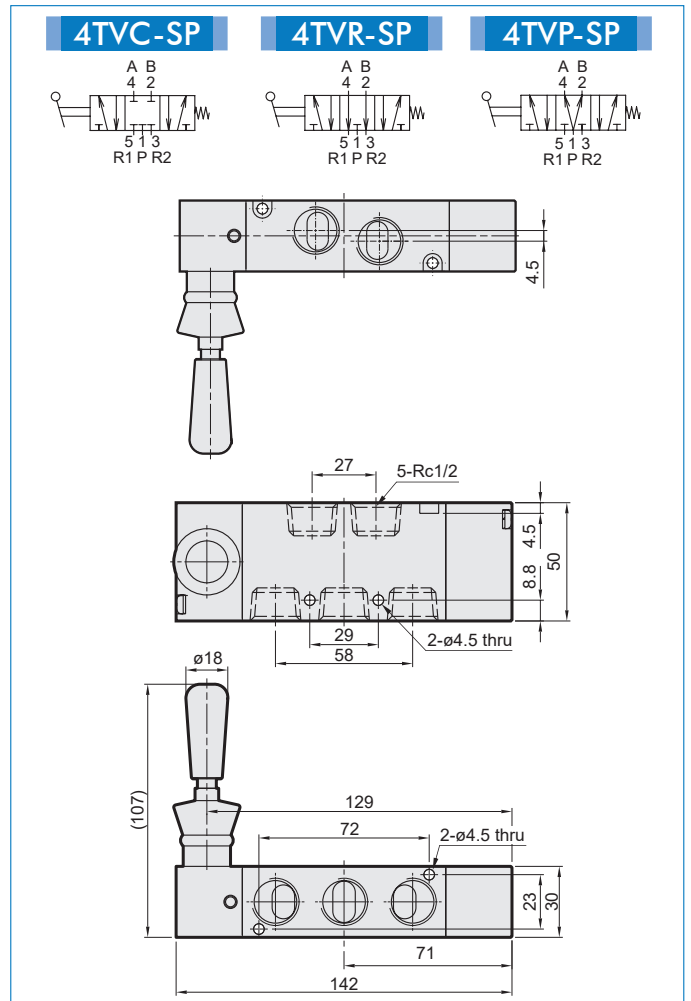
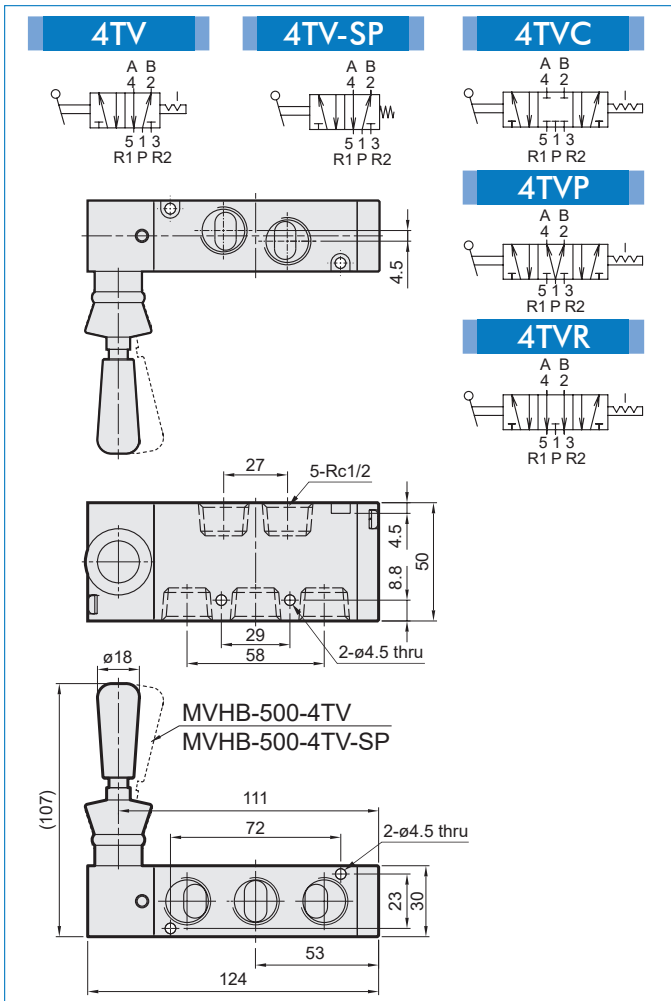
Model	MVHB-500(V)-4TV MVHB-500(V)-4TV-SP	MVHB-500(V)-4TV* MVHB-500(V)-4TV*-SP
Bore No.	15A	
Port size	1/2	
No. of port	5	
No. of position	2	3
Medium	Air	
Operating pressure range	0~1.2 MPa	
Effective orifice	41 mm <sup>2</sup>	
Ambient temperature	-5~+60°C (No freezing)	
Weight	519 g	560 g

### Order example

MVHB – 500V – 4TVC – SP – □ – G



\*1. NBR: Good oil resistance and abrasion resistance, not suitable for using in polar solvents.  
EPDM: Excellent water resistance and chemical resistance, not suitable for using oil place.  
\*2. Suitability of material please refer to page 2-3-5.



# MVHB-500 Dimensions – Vertical type

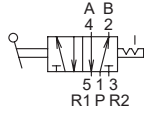


## HAND LEVER VALVE

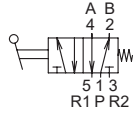
mindman

V

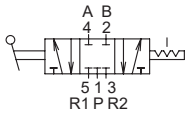
4TV



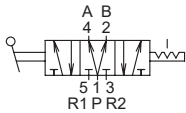
4TV-SP



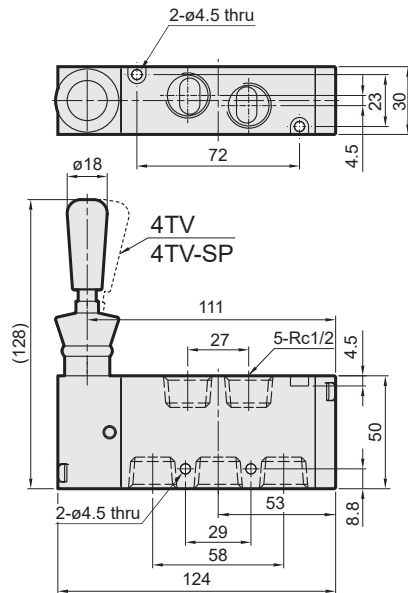
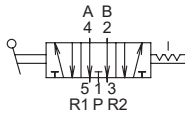
4TVC



4TVP

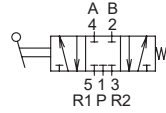


4TVR

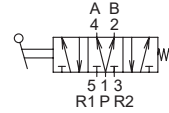


V

4TVC-SP



4TVP-SP



4TVR-SP

