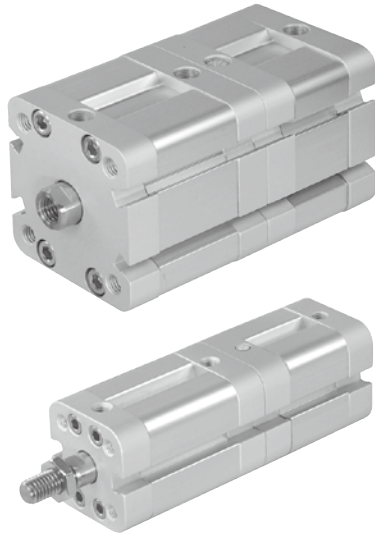


MCJI Multiple position

ISO 21287 **COMPACT CYLINDER**



Mindman



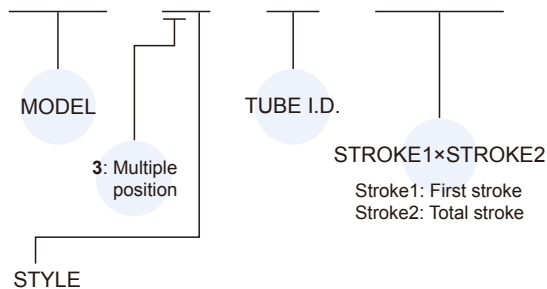
Specification

Model	MCJI-3*	
Acting type	Double acting	
Tube I.D. (mm)	20,25	32,40,50,63,80,100
Port size	M5×0.8	G1/8
Medium	Air	
Operating pressure range	0.05~1 MPa	
Proof pressure	1.5 MPa	
Cushion	Rubber bumper	
Lubricator	Without lubrication	
Stroke length tolerance (*)	+0~+1.0 mm	
Ambient temperature	-5°C~+60°C (No freezing)	
Available speed range	50~500 mm/sec	
Sensor switch	RCI (Please refer to page 8-11)	

* Stroke length tolerance does not include the amount of bumper change.

Order example

MCJI — 32 — 40 — 20×25



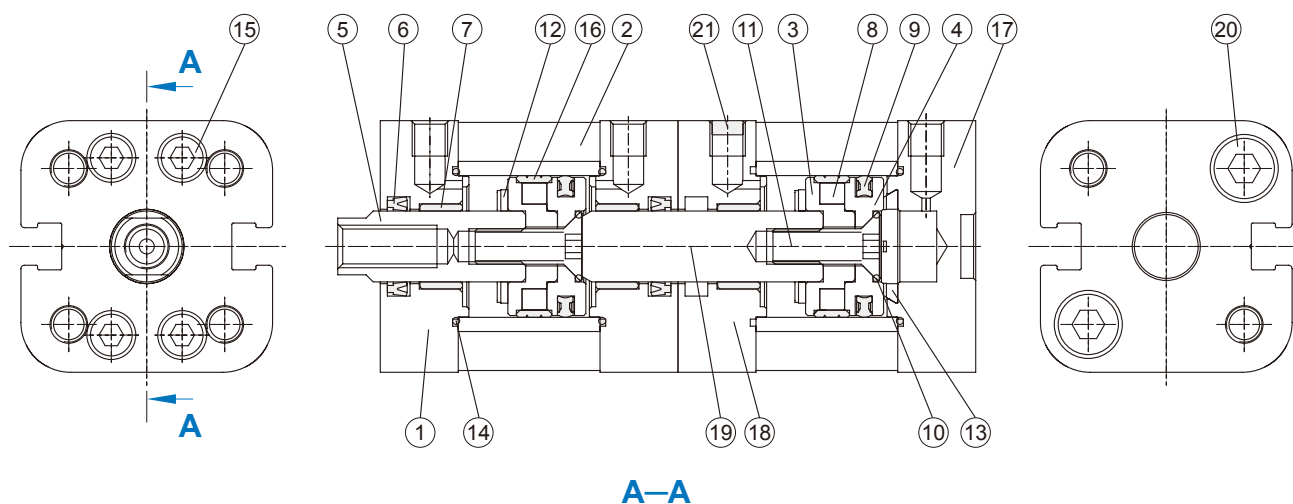
* Order example for special specification, refer to page 0-7.

Table for standard stroke

Tube I.D.	First stroke (mm)	Max. stroke
ø20,25	5,10,15,20,25,30,40,50,60,80,100	110
ø32,40	5,10,15,20,25,30,40,50,60,80,100	120
ø50,63	10,15,20,25,30,40,50,60,80,100,110,120	150
ø80,100	15,20,25,30,40,50,60,80,100,110,120	140

Tube I.D.	Total stroke (mm)
ø20,25	5,10,15,20,25,30,40,50,60,80,100,200
ø32,40	5,10,15,20,25,30,40,50,60,80,100,200,300
ø50,63	10,15,20,25,30,40,50,60,80,100,200,300,400
ø80,100	15,20,25,30,40,50,60,80,100,200,300,400,500

* Please consult us if stroke out of specification.



Material

No.	Part name	Material	Q'ty	Component parts (inclusion)	Repair kits (inclusion)
1	Rod cover	Aluminum alloy	2	●	
2	Tube	Aluminum alloy	2		
3	Piston-R	Aluminum alloy	2	●	
4	Piston-H	Aluminum alloy	2	●	
5	Piston rod	*1	1		
6	Rod packing	NBR	2	●	●
7	Bush	Bearing alloy	3	●	
8	Magnet ring	Magnet material	2	●	
9	Piston packing	NBR	2	●	●
10	O-ring	NBR	2	●	●
11	Screw	Carbon steel	2	●	
12	Cushion	NBR	2	●	●
13	Cushion	NBR	1	●	●
14	O-ring	NBR	3	●	●
15	Screw	Stainless steel	8	●	
16	Wear ring	Resin	2	●	
17	End cover	Aluminum alloy	1	●	
18	Center cover	Aluminum alloy	1	●	
19	Piston rod	*1	1		
20	Screw	Carbon steel	2		
21	Silencer	Brass	1	●	

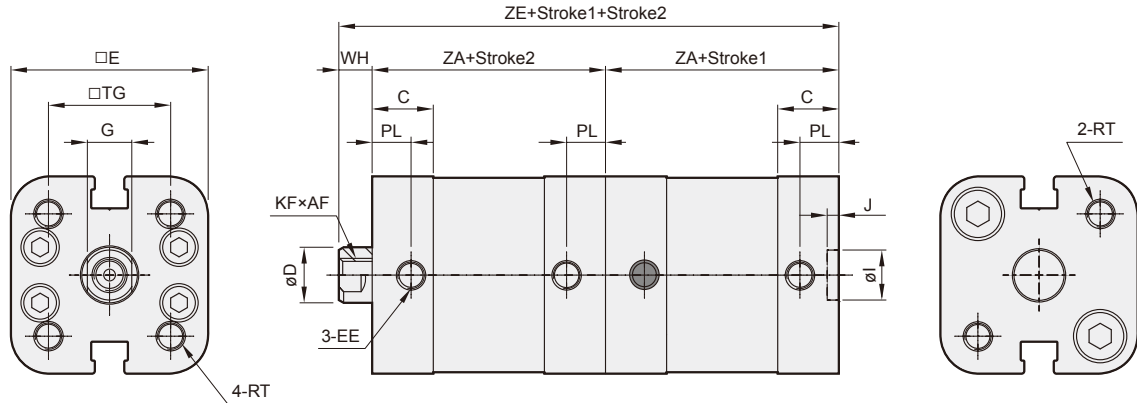
*1. Material $\varnothing 20, \varnothing 25$: Stainless steel; $\varnothing 32 \sim \varnothing 100$: Medium carbon steel.

Order example

Component parts / Repair kits

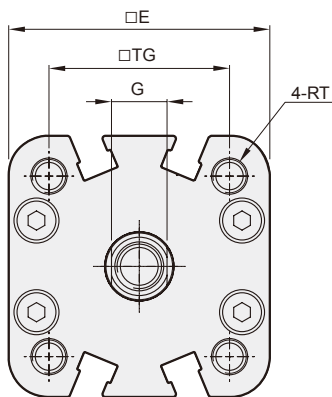
Tube I.D.	Component parts	Repair kits
$\varnothing 20$	CP-MCJI-3-20	PS-MCJI-3-20
$\varnothing 25$	CP-MCJI-3-25	PS-MCJI-3-25
$\varnothing 32$	CP-MCJI-3-32	PS-MCJI-3-32
$\varnothing 40$	CP-MCJI-3-40	PS-MCJI-3-40
$\varnothing 50$	CP-MCJI-3-50	PS-MCJI-3-50
$\varnothing 63$	CP-MCJI-3-63	PS-MCJI-3-63
$\varnothing 80$	CP-MCJI-3-80	PS-MCJI-3-80
$\varnothing 100$	CP-MCJI-3-100	PS-MCJI-3-100

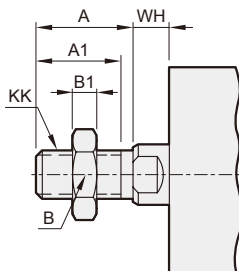
$\varnothing 20, \varnothing 25$



* Stroke1: First stroke, Stroke2: Total stroke.

$\varnothing 32 \sim \varnothing 100$





MCJI-31
(Double acting / Male thread)

Code Tube I.D.	A	A1	B	B1	KK
20	16	14	13	4	M8×1.25
25	16	14	13	4	M8×1.25
32	19	17	17	5	M10×1.25
40	19	17	17	5	M10×1.25
50	22	20	19	6	M12×1.25
63	22	20	19	6	M12×1.25
80	28	26	24	8	M16×1.5
100	28	26	24	8	M16×1.5

Code Tube I.D.	AF	C	D	E	EE	G	WH	I	J	KF	PL	TG	RT	ZA	ZE
20	14	11	10	35.5	M5×0.8	8	6	9	2.1	M6×1.0	7	22	M5×0.8	37	80
25	14	11	10	39.5	M5×0.8	8	6	9	2.1	M6×1.0	7	26	M5×0.8	39	84
32	15	14	12	47.0	G1/8	10	7	9	2.1	M8×1.25	7.5	32.5	M6×1.0	44	95
40	15	14	12	54.5	G1/8	10	7	9	2.1	M8×1.25	7.5	38	M6×1.0	45	97
50	18	14	16	65.5	G1/8	14	8	12	2.6	M10×1.5	7.5	46.5	M8×1.25	45	98
63	18	14.5	16	75.5	G1/8	14	8	12	2.6	M10×1.5	7.5	56.5	M8×1.25	49	106
80	20	15.5	20	95.5	G1/8	17	10	12	2.6	M12×1.75	8	72	M10×1.5	54	118
100	20	18.5	20	113.5	G1/8	17	10	12	2.6	M12×1.75	9.5	89	M10×1.5	67	144

* Stroke1: First stroke, Stroke2: Total stroke.