

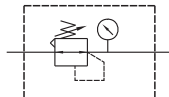
MAR302 series

PRESSURE REGULATOR

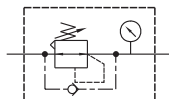


Option: **MP41**

Symbol



Standard



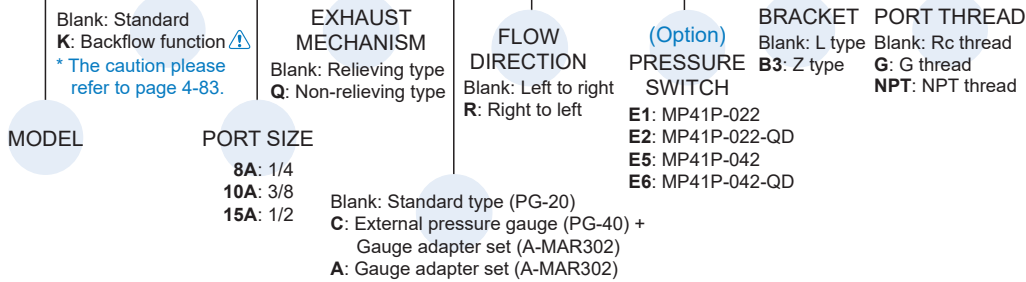
Backflow

Specification

Model	MAR302		
Bore No.	8A	10A	15A
Port size	1/4	3/8	1/2
Medium	Air		
Max. operating pressure	1 MPa		
Proof pressure	1.5 MPa		
Regulated pressure range	0.05~0.85 MPa		
Ambient temperature	- 5~+60°C (No freezing)		
Attachment	Pressure gauge (PG-20), L type bracket		
Weight	400 g		

Order example

MAR302 K - 8A - □ - □ □ - E1 - □ - □



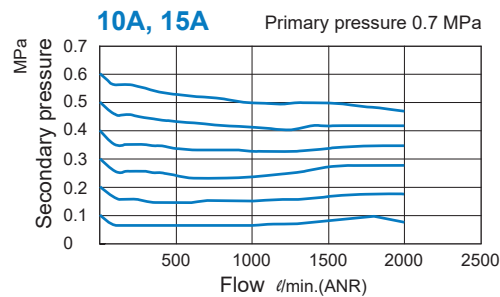
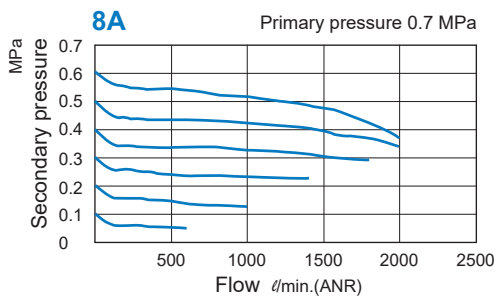
* Standard type regulator can not release the outlet pressure completely, even if inlet pressure was cut off, and the backflow function (K) must be applied to completely remove the residual pressure.

* The (Q) non-relieving type regulator is used. When the output pressure is higher than the set pressure, the output pressure will not flow out through the exhaust hole.

* PG-40 (C), A-MAR302 (A) and MP41 (E*) can not be selected at the same time.

* Refer to page 5-13 for the option of digital pressure switch MP41 (E*).

Flow feature



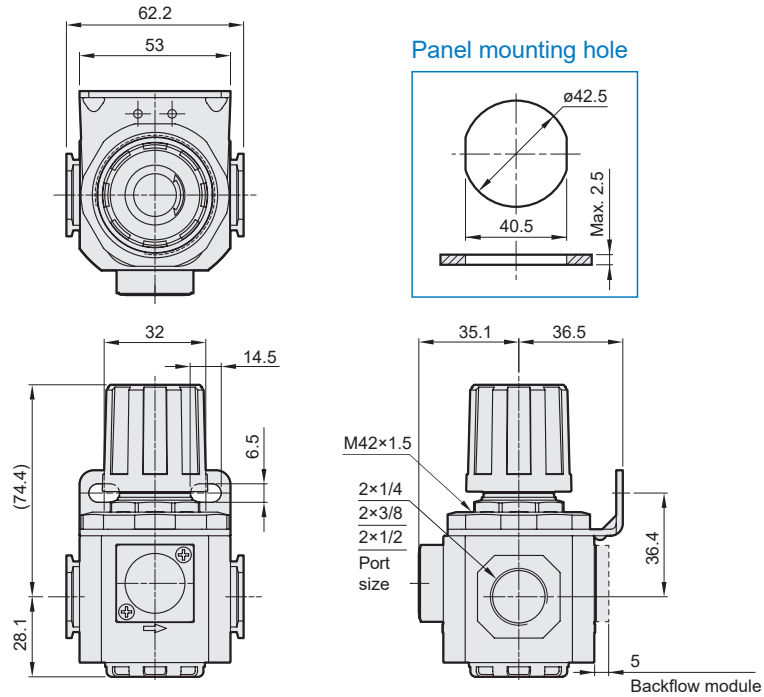
MAR302 Dimensions

PRESSURE REGULATOR



MAR302

L type bracket



MAR302-B3

Z type bracket

