

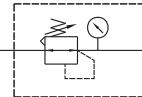
MAR401 series

PRESSURE REGULATOR

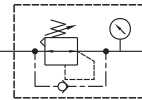


Option: **MP41**

Symbol



Standard

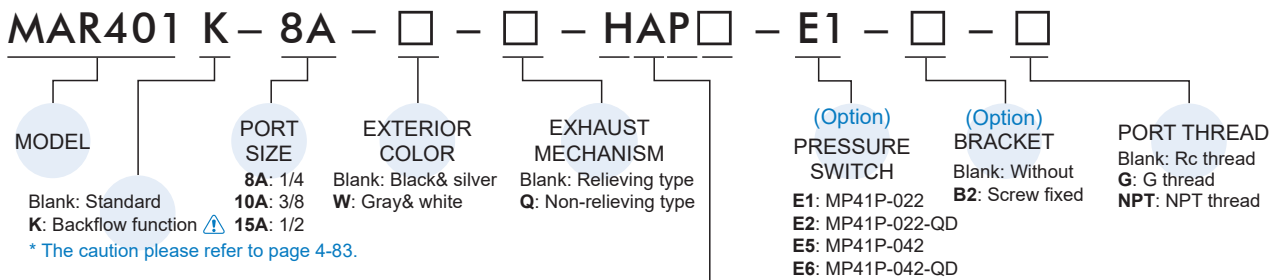


Backflow

Specification

Model	MAR401		
Bore No.	8A	10A	15A
Port size	1/4	3/8	1/2
Medium	Air		
Max. operating pressure	1.5 MPa		
Proof pressure	2 MPa		
Regulated pressure range	Standard type: 0.1~0.85 MPa		
	High pressure type: 0.1~1.5 MPa		
Ambient temperature	- 5~+60°C (No freezing)		
Attachment	Pressure gauge (PG-20)		
Weight	450 g		

Order example



(Option)

Type	Pressure gauge	Pressure switch	Flow direction
Blank: Standard type	Blank: Pressure gauge (PG-20) C : External pressure gauge (PG-40) + Gauge adapter set (A-MAR401) A : Gauge adapter set (A-MAR401)	P : Pressure switch (MPS series)	Blank: Left to right R : Right to left
H : High pressure type	C : External pressure gauge (PG-40) + Gauge adapter set (A-MAR401) A : Gauge adapter set (A-MAR401)	-	

* PG-40 (C), A-MAR302 (A) and MP41 (E*) can not be selected at the same time.

* Specification (W) gauge adapter set (A-MAR302).

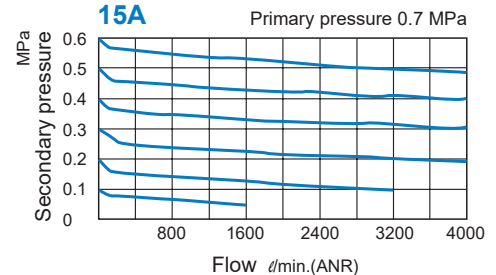
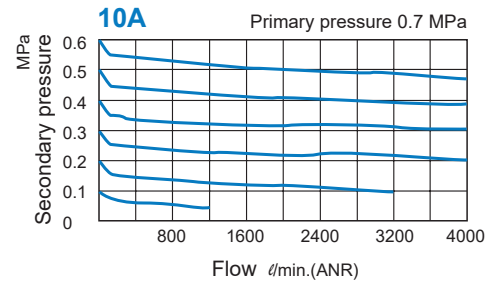
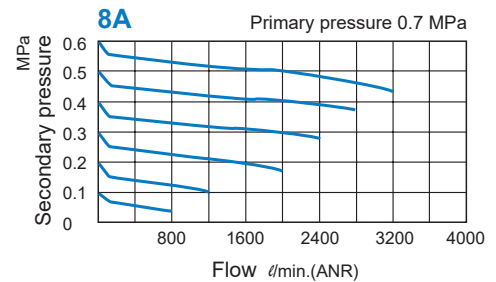
* Refer to page 5-13 for the option of digital pressure switch MP41 (E*).

* There is no pressure gauge in option (A). Please purchase if necessary.

* Standard type regulator can not release the outlet pressure completely, even if inlet pressure was cut off, and the backflow function (K) must be applied to completely remove the residual pressure.

* The (Q) non-relieving type regulator is used. When the output pressure is higher than the set pressure, the output pressure will not flow out through the exhaust hole.

Flow feature

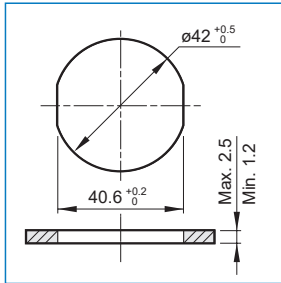


MAR401 Dimensions

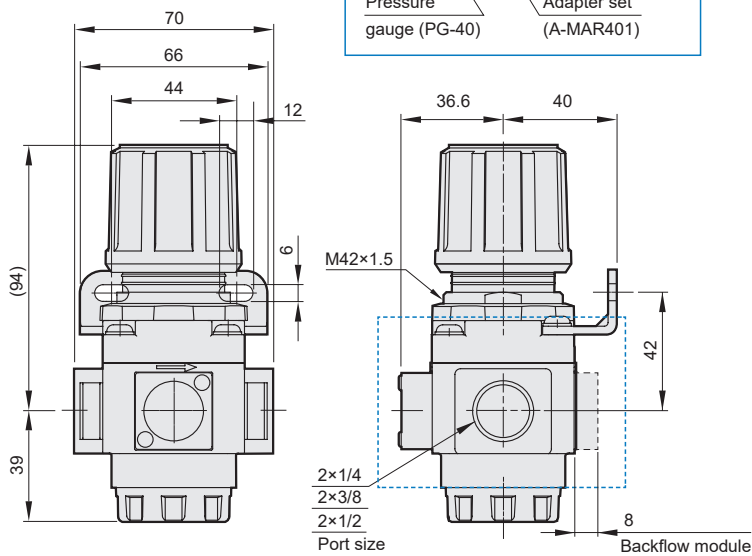
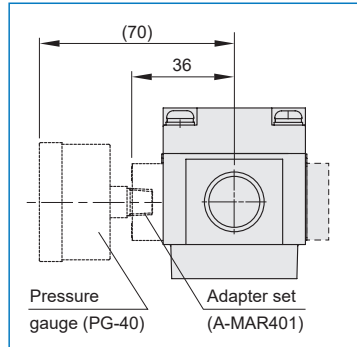
PRESSURE REGULATOR



Panel mounting hole



Accessories



MAR401-P

MPS Series
pneumatic pressure switch

