



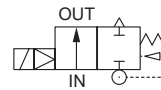
Specification

- IP65 100% ED coil
- EExm II T4 PTB approval coil
- Opening: 200~500 ms, Closing: 500~2000 ms

Power consumption

Coil power	2	2E	3	4	3E
AC (VA)	6.9	5.3	8.0	19.5	9.2
DC (W)	6.2	5.2	6.8	15.0	10.0

2/2 N.C.



Order example

MGD - 25 - N - 3 - D - F - □ - AC110 - □

MODEL

CODE
10, 15, 20,
25, 32, 40,
45, 50

SEAL MAT'L
N: NBR
J: EPDM
V: Viton

COIL
2, 3, 4,
2E, 3E
(*)

PLUG
Blank: DIN
D: LED
G: 1/2" NPT
Y: 2 wires
(only for coil #2)

CONN.
Blank: Screwed
F: Flanged
(F type no manual,
for code 25~50)

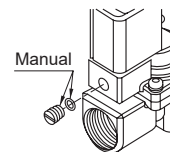
VOLTAGE
AC220V(50/60)Hz
AC110V(50/60)Hz
DC24V

PORT THREAD
Blank: Rc thread
G: G thread
NPT: NPT thread

* Explosion-Proof (2E/3E) coil with LED (D) plug is not applicable.

MANUAL

Blank: Without
M: With (for coil 2, 2E, 3)

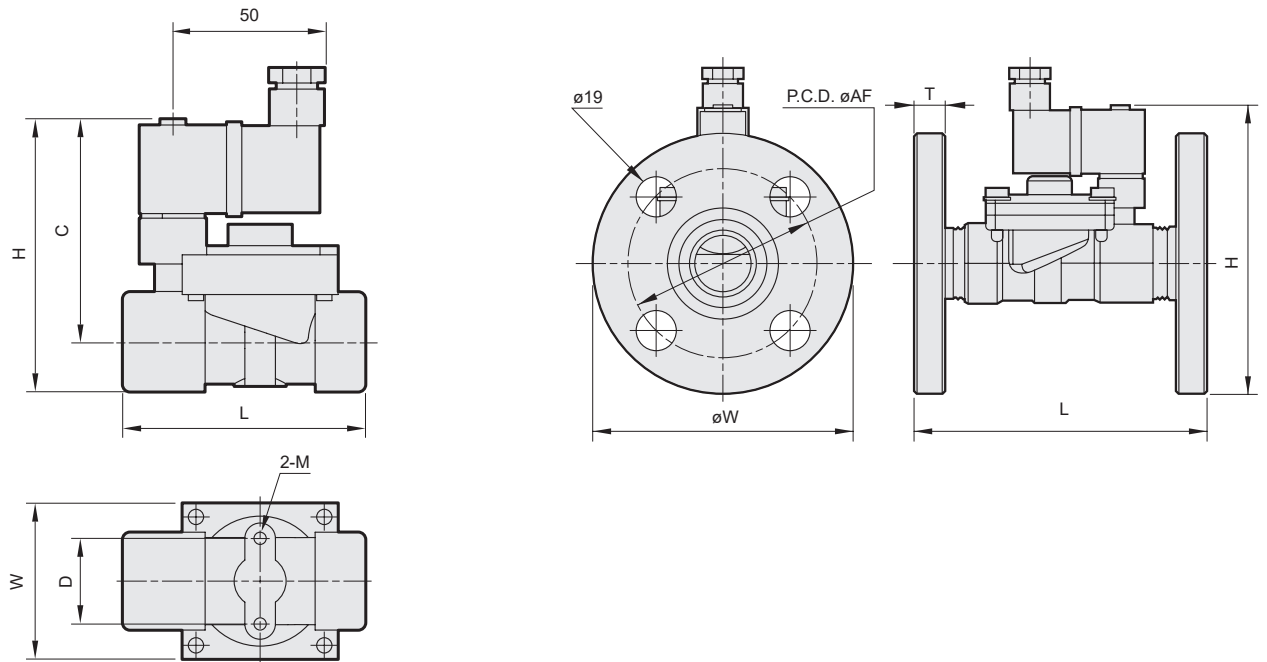


Specification

Model **MGD**: Forged brass body, for water, air, gas, light oil etc. 2/2 way N.C.

Code (Port)	Seal mat'l	Coil	Orifice mm	Temp. °C				Working press.(0.3~ bar)												CV			
				Coil 2, 2E		Coil 3		Coil 4, 3E		Coil 2		Coil 2E		Coil 3		Coil 3E, 4							
				N, J, V	N	J, V	N	J, V	AC	DC	AC	DC	AC	DC	AC	DC	Gas / Liquid						
				Gas	Liquid	Gas	Liquid	Gas	Liquid	Gas	Liquid	Gas	Liquid	Gas	Liquid								
10(3/8)	N J V	2 2E 3 4 3E	15						10	10	10	10	16	12	11	10	16	14	15	12	16	16	3
15(1/2)			15						10	10	10	10	16	12	11	10	16	14	15	12	16	16	3.9
20(3/4)			20						10	10	10	10	14	11	10	9	16	13	14	11	16	16	7.5
25(1)			25	-5	-5	-10	-5	-10	10	10	9	9	12	10	9	8	16	12	12	10	16	16	10
32(1 1/4)			33	~	~	~	~	~	10	10	8	8	10	9	8	7	13	11	11	9	16	16	16
40(1 1/2)			33	80	80	120	80	145	10	10	8	8	10	9	8	7	13	11	11	9	16	16	21
45(1 1/2)			44						8	8	5	5	10	8	7	6	11	10	10	7	16	16	26
50(2)			44						8	8	5	5	10	8	7	6	11	10	10	7	16	16	31

F Flanged (JIS10K)



Dimensions & Weight

Model	MGD (Screwed)								MGD-F (Flanged)					
Code Dimension (mm)	10	15	20	25	32	40	45	50	25	32	40	45	50	
AF	—								90	100	105	105	120	
C	Coil 2, 3, 2E	68	68	72	76	91	91	99	99	—				
	Coil 4, 3E	79	79	83	87	102	102	110	110	—				
D	22	22	28	34	—					—				
H	Coil 2, 3, 2E	81	81	88	95.5	119.5	119.5	133	133	138	158	161	169	176
	Coil 4, 3E	92	92	99	106.5	130.5	130.5	144	144	149	169	172	180	187
L	64	64	80	90	102	102	123	123	138	155	155	175	177	
M	M5×0.8				—				M5×0.8	—				
T	—								14	16	16	16	16	
W	42	42	51	61	76	76	95	95	125	135	140	140	155	
N.W (kg)	Coil 2	0.50	0.47	0.71	0.92	1.95	1.68	3.48	2.90	3.31	5.07	5.13	6.92	7.02
	Coil 2E	0.77	0.74	0.98	1.19	2.22	1.95	3.75	3.17	3.58	5.33	5.40	7.20	7.28
	Coil 3	0.54	0.51	0.74	0.96	1.99	1.72	3.51	2.93	3.35	5.10	5.17	6.97	7.05
	Coil 4	0.60	0.57	0.81	1.03	2.07	1.80	3.62	3.04	3.42	5.19	5.26	7.07	7.16
	Coil 3E	0.91	0.88	1.11	1.32	2.36	2.09	3.90	3.32	3.71	5.48	5.54	7.36	7.45