

Specification

- IP65 waterproof coil.
- Continuous cycle, 100% ED.
- Ex coil is EExm II T4 PTB approval.
- Response time: ON 100~200ms, OFF: 200~400ms

Power consumption

Coil power	2	3	2E
AC (VA)	6.9	8.0	5.3
DC (W)	6.2	6.8	5.2

Dimensions

Model	MUSD		
Code Dimension (mm)	15		
L	55		
H	77		
W	38		
C	65		
D	24		
N.W (kg)	Coil 2	0.30	
	Coil 3	0.35	
	Coil 2E	0.62	

Order example

MUSD - 15 - 0 - J - 2 - D - C - AC110 - G

MODEL

CODE

ORIFICE

COIL

PLUNGER

PORT THREAD

SEAL MAT'L

PLUG

VOLTAGE

15: 1/2

0: Standard

2: #2
3: Bigger
2E: Explosion-Proof (*1)

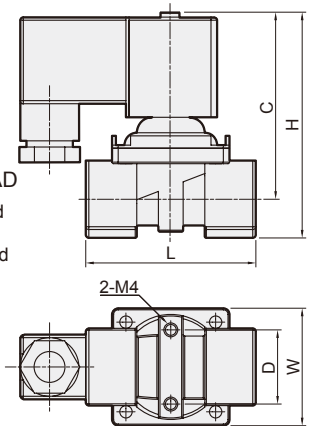
Blank: Standard
C: PTFE coating

Blank: Rc thread
G: G thread
NPT: NPT thread

N: NBR
J: EPDM
V: Viton

Blank: DIN
D: LED
G: 1/2" NPT
Y: 2 wires
(only for coil #2)

AC220V(50/60)Hz
AC110V(50/60)Hz
DC24V



*1. Explosion-Proof (2E) coil with LED (D) plug is not applicable.

Specification

* A: Air, L: Liquid

Model MUSD : SCS14 body, #304 cover, for water, air, gas, light oil. 2/2 way N.C.																						
Code (Port)	Seal mat'l	Coil	Orifice mm	Temp. °C						Working press. (0.3~ bar)												CV
				Coil 2, 2E			Coil 3			Coil 2				Coil 3				Coil 2E				
				N	J	V	N	J	V	AC		DC		AC		DC		AC		DC		
										A*	L*	A	L	A	L	A	L	A	L	A	L	
15(1/2)	N J V	2 3 2E	15	-5 ~ 60	-10 ~ 60	-5 ~ 60	-10 ~ 120	6.5	5	5	4	10	7	7	5	5.5	4	4	3	2		