

Caution

- Direct-acting valves are ideally suited to allocate at any angle.
- Voltage drop range is within $\pm 10\%$.
- Pressure of voltage DC is 70% of voltage AC only.
- Fluid temp.: $-10\sim+80^{\circ}\text{C}$ (Naphtha 120°C)

Not for fluid of

- Liquid when heat, solid when cool.
- Corrosive fluid.
- Viscosity over 50 cst.

Dimensions

Model	MXPV		
Code Dimension (mm)	14	15	20
A	75	85	
B	52	60	
C	104	113	
H	14.5	18	
G	3/8"	1/2"	3/4"
N.W (kg)	0.85	0.88	1.06

Order example

MXPV - 20 - V - G - V - AC110 - G

MODEL

PORT SIZE

SEAL MAT'L

FLUID

VOLTAGE

COIL

PORT THREAD

BODY MAT'L
 14: 3/8"
 15: 1/2"
 20: 3/4"
 Blank: Brass
 S: S.Steel (*1)

N: NBR
S: Silicon
J: EPDM
V: Viton

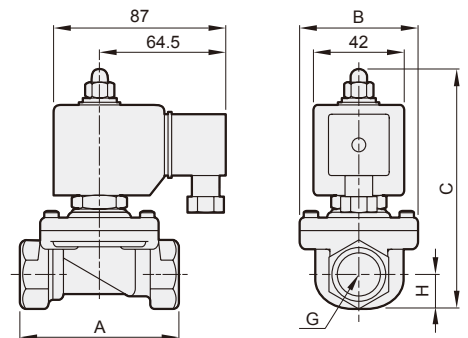
W: Water
A: Air
LO: Light oil (*2)

AC220V(50/60)Hz
AC110V(50/60)Hz
DC24V

G: Square DIN

Blank: Rc thread
G: G thread
NPT: NPT thread

*1. Stainless steel material is custom made.
 *2. Note, if diesel fuel or gasoline.



Specification

Model **MXPV**: Forged brass body, for water, air, naphtha.

Code (Port size)	Seal Mat'l	Orifice mm	Max. operating pressure diff. (0~bar)				CV
			Water	Air	Naphtha	acid & alkali (S.Steel)	
14(3/8")	N, S J, V	15	0.5~10	0.5~10	0.5~10	0.2~20	4.5
15(1/2")		15	0.5~10	0.5~10	0.5~10	0.2~20	4.5
20(3/4")		20	0.5~10	0.5~10	0.5~10	0.2~20	9.3