

# SL10K

## Miniature Power Rocker Switches

UL

CSA

VDE

RoHS Compliant



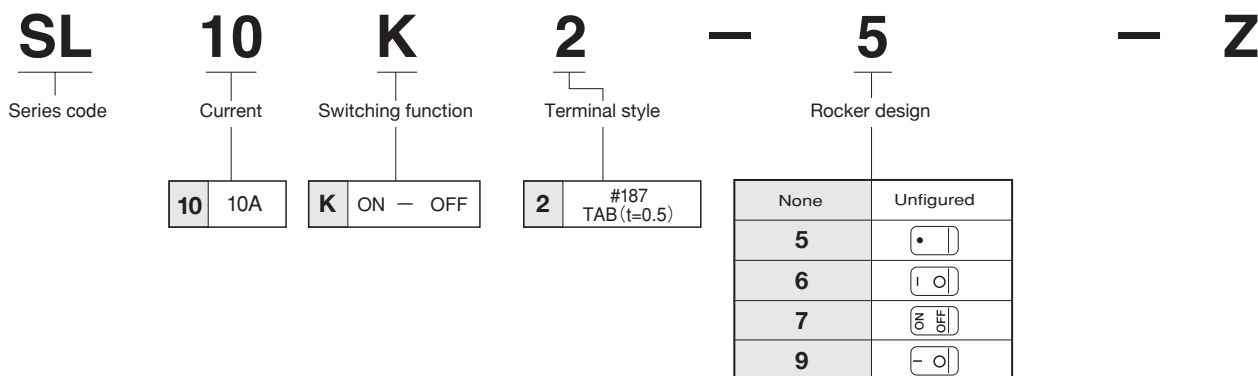
### Features

1. UL, CSA and VDE approved products.
2. Snap-in panel mounting
3. Compact size is suited for space-saving design.
4. Best suited for power supply of equipment.
5. 100 A rush current type.
6. Breaking distance is 3 mm or over.

### Specifications

Rating	Load	Inductive load				Resistive load
	Inrush current (p.f.=0.6)	125VAC		250VAC		
		100A	60A	60A	36A	
	Break current (p.f.=0.9)	10A	10A	6A	6A	
Min. rating	10mA 5V AC/DC					
Initial contact resistance	20mΩ max. (1A 2~4VDC)					
Dielectric strength	1500VAC 1 minute (Between terminals)					
Insulation resistance	100MΩ min (500VDC) (Between terminals)					
Electrical life (cycles)	10,000	20,000	10,000	10,000	10,000	
Operating force	3.92~12.7N					
Operating temperature range	-25~+85°C					
Storage temperature range	-40~+85°C					

### Part Numbering



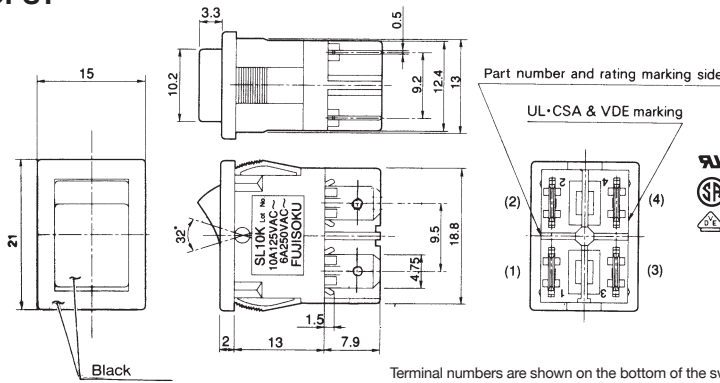
### Table of Part Numbers

Frame color and rocker color	Terminal styles	Switching function	Part No. and rating marking side				
Black	TAB	ON - OFF					
			☆SL10K2-Z	SL10K2-5-Z	SL10K2-6-Z	SL10K2-7-Z	★SL10K2-9-Z

● For made-to-order products, we accept orders for indication of letters, codes, etc., on the top surface of rocker.

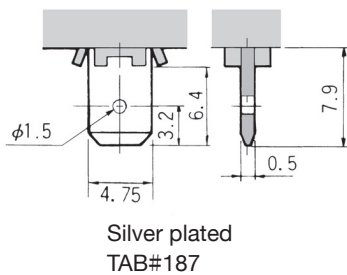
# SL10K

## SL10K2-Z DPST



Switching function	Viewed from part No. & rating marking side	
Part No.	ON	OFF
SL10K2-Z		
SL10K2-5-Z		
SL10K2-6-Z		
SL10K2-7-Z		
SL10K2-9-Z		
Connecting terminals	1-2 3-4	-

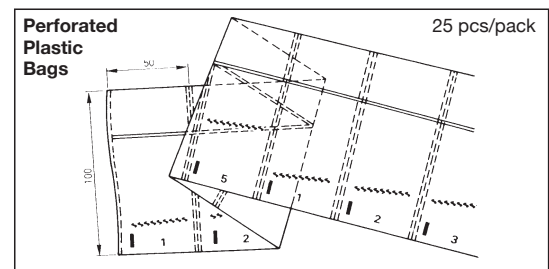
### Terminal Style



### Approvals

UL File No.E43275  
CSA File No.LR38341  
VDE License No.40024519  
(SL10K·SLE10K)

### Packaging Specification



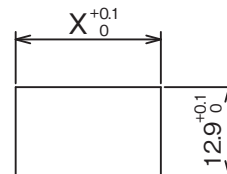
### Panel Cut-Out Dimensions

Switches

Panel thickness	X
0.75~1.25	19.2
1.25~3.5	19.4

Switch Guard Installation

Panel thickness	X
0.75~2.8	19.4



### Handling Precautions

#### 1. Soldering Specifications

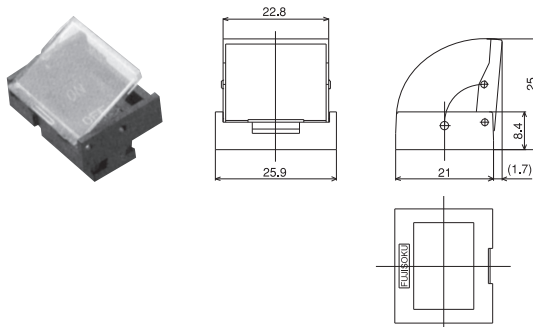
- (1) Manual Soldering  
Device : Soldering iron  
350°C, Max.; 5 seconds, Max.

#### 2. Precautions for panel mounting

Page ..... 310

### Switch Guard

Dedicated for use of rocker switches



### Features

Clear visibility and one-touch mounting to save labor.

### Uses

Small Rocker Switch  
Best suited for malfunction prevention of miniature rocker switches (panel cutout dimensions: 19.2 x 12.9)

### Specifications

Part Name : Switch guard  
Part Number : 140007250027  
Color : Black (transparent cover)