

# 50A

## Slip ring collector



Slip ring collector consisting of rings coupled with brushes, designed to transfer current from a fixed to a rotating part and used to supply crane motors and cable winders.

### FEATURES

- Suitable for transmitting current with 50/60 Hz supply frequency.
- The enclosure features small downward holes for air circulation and to prevent problems due to moisture.
- The lower support plate is provided with three holes to drain any moisture that may form inside the unit.
- The enclosure is made of shock-resistant thermoplastic material to prevent contact with live electrical parts.
- Fitted with phosphor bronze brushes.
- IP protection degree: collector 50A is classified IP22.
- Extreme temperature resistance: -25°C to +70°C.

### OPTIONS

- Up to sixteen 50A line rings coupled with brushes.

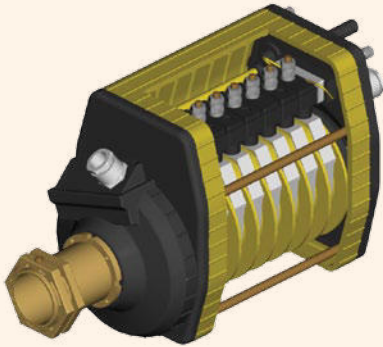
### CERTIFICATIONS

- CE marking and EAC certification.

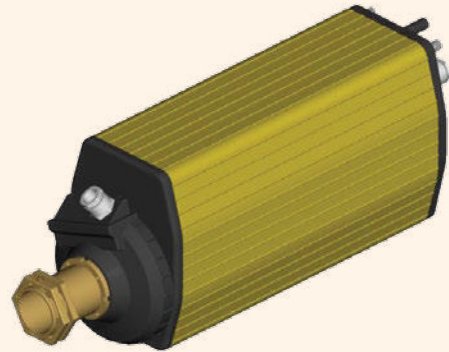
*Fill in the "request form" for accurate product configuration.*

## POSSIBLE ASSEMBLIES

Standard (section view)



Standard 16 rings



## CERTIFICATIONS

|                                    |  |
|------------------------------------|--|
| Conformity to Community Directives | 2014/35/UE Low Voltage Directive   |
|                                    | 2006/42/CE Machinery Directive   |
| Conformity to CE Standards         | EN 60204-1 Safety of machinery - Electrical equipment of machines                            |
|                                    | EN 60309-1 Plugs, socket-outlets and couplers for industrial purposes - General requirements |
|                                    | EN 60529 Degrees of protection provided by enclosures  |
| Markings and homologations         | CE EAC   |

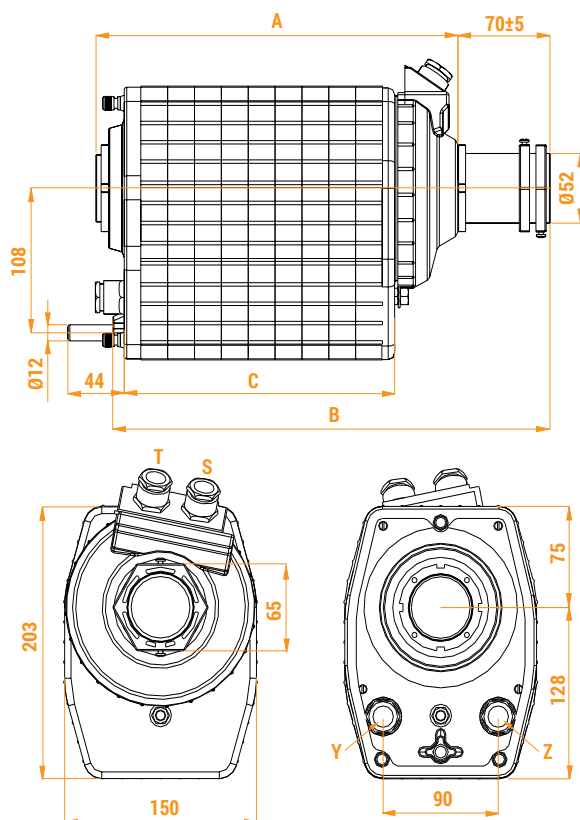
## GENERAL TECHNICAL SPECIFICATIONS

|                      |                         |
|----------------------|-------------------------|
| Ambient temperature  | Storage -40°C/+70°C     |
|                      | Operational -25°C/+70°C |
| IP protection degree | IP 22                   |
| Insulation category  | Class I                 |
| Operating positions  | Any position            |
| Cable entry          | Cable glands M20        |
|                      | Cable glands M25        |

## ELECTRICAL SPECIFICATIONS

|                           |   |
|---------------------------|---|
| Rated operational current | 50 A  |
| Rated operational voltage | 400 Vac   |
| Rated insulation voltage  | 660 Vac   |
| Max. speed                | 3 rev./min.                                       |
| Connections               | Terminals with M6 screw accepting ring connectors |

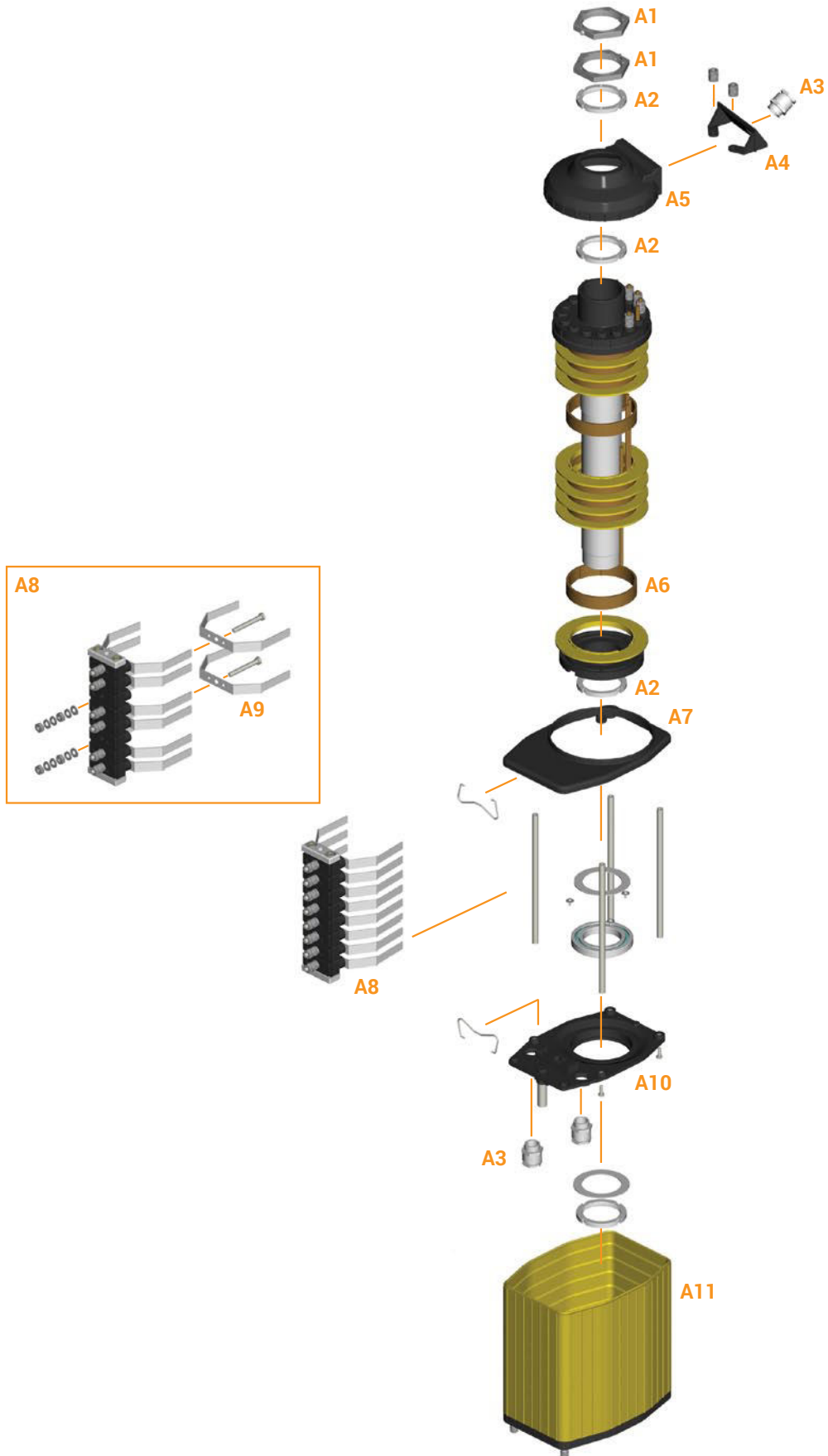
## STANDARD SLIP RING COLLECTORS AND OVERALL DIMENSIONS (mm)



| No. of 50A rings | Type and position of cable glands |     |     |     | Code       | Dimensions (mm) |     |     |
|------------------|-----------------------------------|-----|-----|-----|------------|-----------------|-----|-----|
|                  | S                                 | T   | Y   | Z   |            | A               | B   | C   |
| 3                | M20                               | -   | -   | M20 | PF2203P001 | 174             | 249 | 106 |
| 4                | M20                               | -   | -   | M20 | PF2204P001 | 195             | 270 | 127 |
| 5                | M20                               | -   | -   | M20 | PF2205P001 | 216             | 291 | 148 |
| 6                | M20                               | -   | -   | M20 | PF2206P001 | 237             | 312 | 169 |
| 7                | M20                               | M20 | M20 | M20 | PF2207P001 | 258             | 333 | 190 |
| 8                | M20                               | M20 | M20 | M20 | PF2208P001 | 279             | 354 | 211 |
| 9                | M20                               | M20 | M20 | M20 | PF2209P003 | 300             | 375 | 232 |
| 10               | M20                               | M20 | M20 | M20 | PF2210P001 | 321             | 396 | 253 |
| 11               | M20                               | M20 | M20 | M20 | PF2211P002 | 342             | 417 | 274 |
| 12               | M20                               | M20 | M20 | M20 | PF2212P001 | 363             | 438 | 295 |
| 13               | M20                               | M20 | M20 | M20 | PF2213P001 | 384             | 459 | 316 |
| 14               | M20                               | M20 | M20 | M20 | PF2214P001 | 405             | 480 | 337 |
| 15               | M20                               | M20 | M20 | M20 | PF2215P001 | 426             | 501 | 358 |
| 16               | M20                               | M20 | M20 | M20 | PF2216P001 | 447             | 522 | 379 |

Max. number of rings: 16.



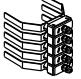
## ASSEMBLY DRAWING





Refer to the following tables for descriptions of components: "Brushes and rings", "Cable glands" and "Accessories".

## COMPONENTS



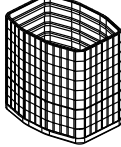
### Brushes and rings

| Ref. | Drawing   | Description               | Code             |
|------|---|---------------------------|------------------|
| A6   |  | Brass ring Ø 92mm         | PRSL4015PE       |
| A9   |  | Phosphor bronze brush     | PRSL4018PI       |
| A8   |  | Brush-holder with brushes | Codes on request |

### Cable glands

| Ref. | Drawing   | Description         | Code       |
|------|---|---------------------|------------|
| A3   |  | Cable gland M20     | PRPS1075PE |
|      |   | Cable gland M25     | PRPS1076PE |
| A4   |  | Cable gland support | PRSL9066PI |

### Accessories

| Ref. | Drawing   | Description                | Code             |
|------|---|----------------------------|------------------|
| A1   |   | Nut                        | PRSL4010PE       |
| A2   |  | Ring - pitch 1.5           | PRSL4001PE       |
| A5   |  | Cover                      | PRSL5680PI       |
| A7   |  | Upper plate                | PRSL5685PI       |
| A10  |  | Bearing holder lower plate | PRSL5690PI       |
| A11  |  | Protection                 | Codes on request |

