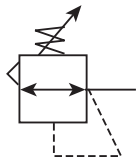


Miniature Regulator R03

= "Most Popular"

B

Filters, Regulators, Lubricators



R03-02-000

Features

- Unbalanced Poppet Standard
- Solid Control Piston with Lip Seal for Extended Life
- Non-rising Adjusting Knob
- Compact, 3.08 inch (78mm) High by 1.65 inch (42mm) Wide
- Easily Serviced

Specifications

| | | |
|-----------------------------|-------------------------------|-----------------------------------|
| Flow Capacity* | 1/8 | 13 SCFM (6.14 dm ³ /s) |
| | 1/4 | 15 SCFM (7.08 dm ³ /s) |
| Gauge Ports (2) | 1/8 | |
| Port Threads | 1/8, 1/4 Inch | |
| Supply Pressure | 0 to 300 PSIG (0 to 20.7 bar) | |
| Operating Temperature | 32°F to 125°F (0°C to 52°C) | |
| Secondary Pressure Ranges – | | |
| Standard Pressure | 2 to 125 PSIG (0 to 8.6 bar) | |
| Medium Pressure | 1 to 60 PSIG (0 to 4.1 bar) | |
| Medium Pressure | 1 to 30 PSIG (0 to 2.1 bar) | |
| Low Pressure | 1 to 15 PSIG (0 to 1.0 bar) | |

Weight .3 lb. (.14 kg)

* Inlet pressure 100 PSIG (6.9 bar). Secondary pressure 90 PSIG (6.2 bar) and 10 PSIG pressure drop.

Materials of Construction

| | |
|-------------------------------------|---------|
| Adjusting Nut | Brass |
| Adjusting Stem & Spring | Steel |
| Body | Zinc |
| Bonnet, Seat, Piston & Valve Poppet | Plastic |
| Seals | Nitrile |

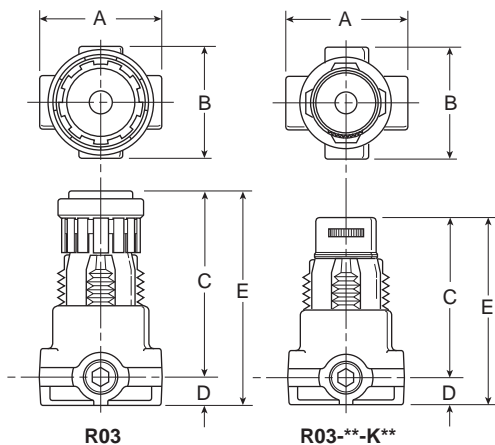
WARNING

**Product rupture can cause serious injury.
Do not connect regulator to bottled gas.
Do not exceed maximum primary pressure rating.**

CAUTION:

REGULATOR PRESSURE ADJUSTMENT – The working range of knob adjustment is designed to permit outlet pressures within their full range. Pressure adjustment beyond this range is also possible because the knob is not a limiting device. This is a common characteristic of most industrial regulators, and limiting devices may be obtained only by special design.

For best performance, regulated pressure should always be set by increasing the pressure up to the desired setting.



Note: 1.218" dia. (31) mm hole required for panel mounting.

Dimensions

| Model | Inches (mm) | A | B | C | D | E |
|---|-------------|--------------|----------------|----------------|--------------|----------------|
| Standard Unit R03-XX-XXX | | 1.65 (42) | 1.56 (39.6) | 2.50 (63.5) | .38 (9.6) | 2.88 (73) |
| Preset, Non-Adjustable Unit R03-XX-KXX | | 1.65 (42) | 1.56 (39.6) | 2.28 (57.9) | .38 (9.6) | 2.66 (67.6) |

Replacement Kits

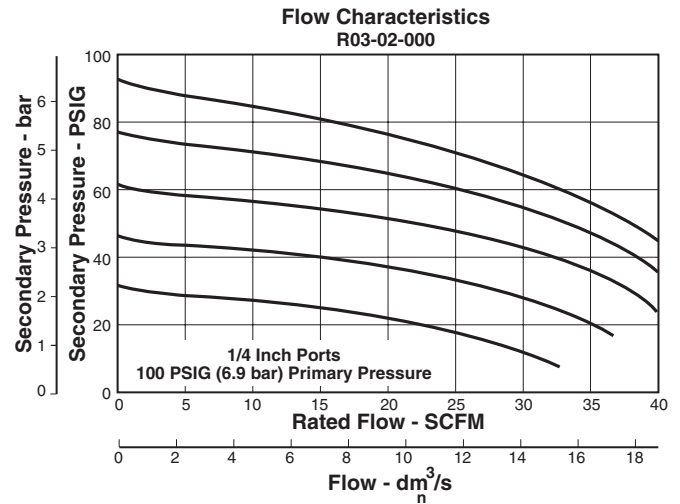
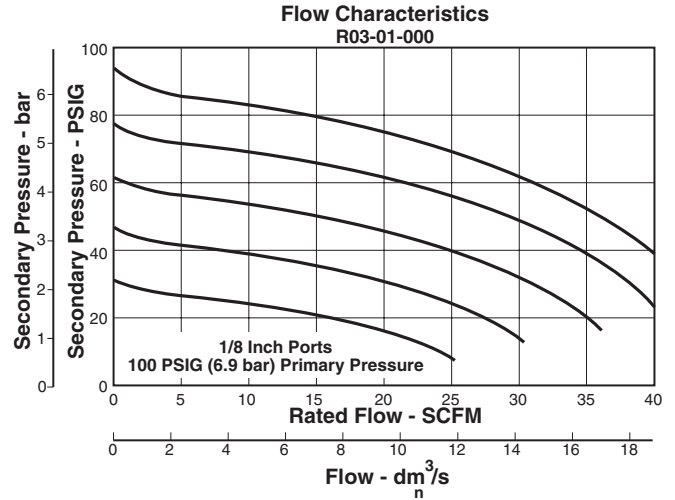
- Poppet / Piston Kits –
 - Unbalanced, Non-Relieving PS428P
 - Unbalanced, Relieving PS426P
- Springs –
 - 1-30 PSIG Range P01175
 - 1-60 PSIG Range P01174
 - 2-125 PSIG Range P01173
 - 1-15 PSIG Range P01176
- Tamperproof Metal Disc P01265

Accessories

- Gauge, Pressure –
 - 30 PSIG, 1/8" NPT (0 to 2.1 bar) K4515N18030
 - 60 PSIG, 1/8" NPT (0 to 4.1 bar) K4515N18060
 - 160 PSIG, 1/8" NPT (0 to 11.0 bar) K4515N18160
- Mounting Bracket Kit* (Includes Panel Mount Nut) PS417B
- Panel Mount Nuts* –
 - Plastic P78652
 - Metal P01531

*Tighten panel mount nut 2.8 to 3.4 Nm (25 to 30 in-lbs) of torque.

= "Most Popular"



B
Filters, Regulators, Lubricators

| Ordering Information | | | | | |
|----------------------|-----------|--|---|---|---|
| Model Type | Port Size | Without Gauge 2 to 125 PSIG (0.2 to 8.6 bar) | Without Gauge 1 to 60 PSIG (0.2 to 4.1 bar) | Without Gauge 1 to 30 PSIG (0.2 to 2.1 bar) | Without Gauge 1 to 15 PSIG (0.2 to 1.0 bar) |
| Relieving | 1/8 | R03-01-000 | R03-01-L00 | R03-01-P00 | R03-01-Q00 |
| | 1/4 | R03-02-000 | R03-02-L00 | R03-02-P00 | R03-02-Q00 |

Options - To order an option supplied with the unit model, add the appropriate coded suffix letter in the designated position of the model number.